

Characteristics

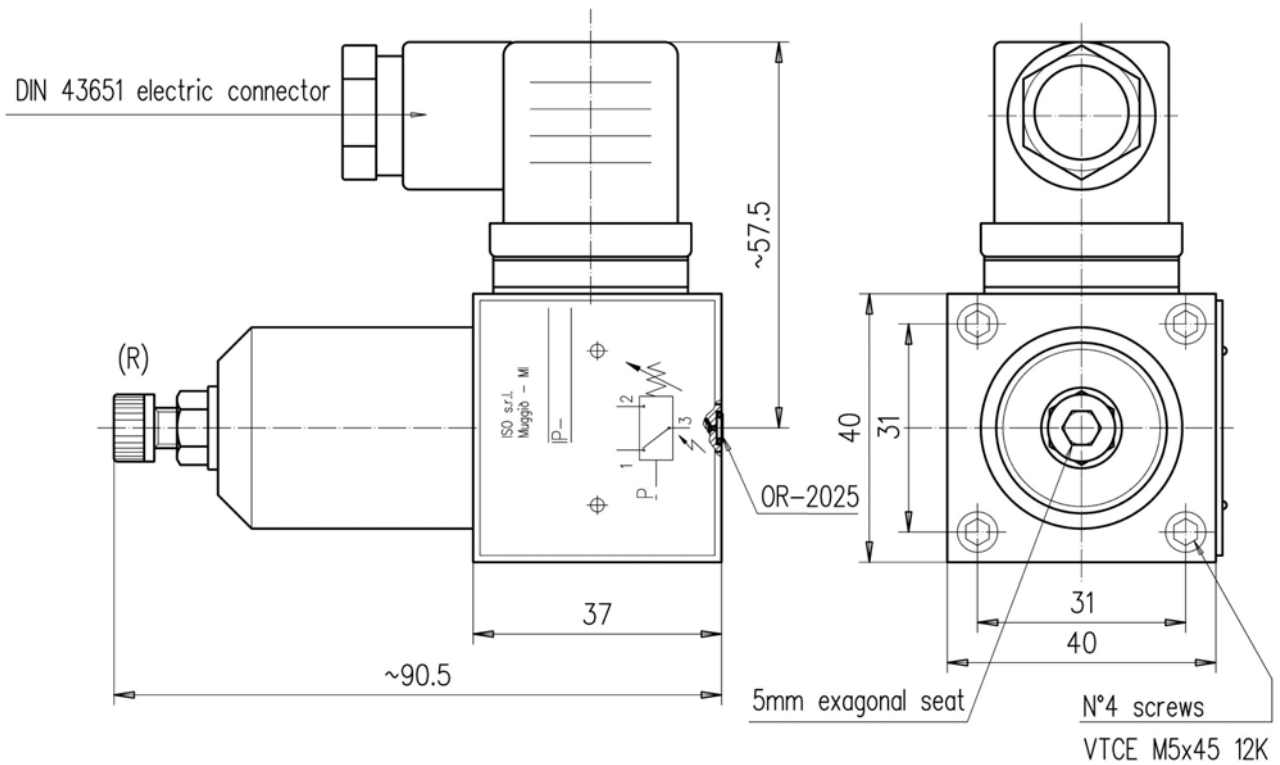
TYPE	PRESSURE SETTING RANGE	MAX WORKING PRESSURE	REPEATABILITY	WEIGHT
IP-035	6-35 bar	350 bar	< ± 2 % of setting	0.35 Kg.
IP-150	12-150 bar			
IP-350	30-350 bar	650 bar		
IP-630	50-630 bar			

Description

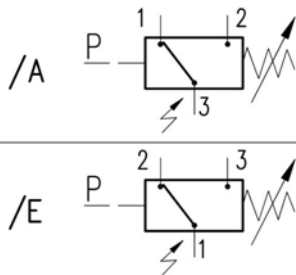
Piston operated, fixed differential, electro-hydraulic pressure switch equipped with electric contact in exchange.

When pre-set pressure is achieved, the piston actuates a microswitch. The setting adjustment is achieved by means of a grub screw (R).

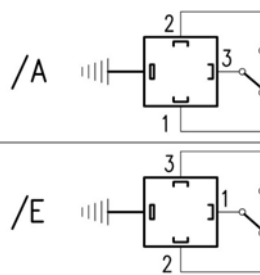
Dimensions



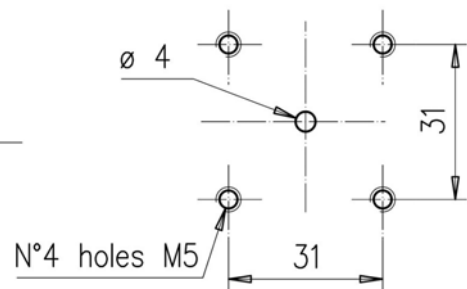
Symbol



Contacts



Flange interface

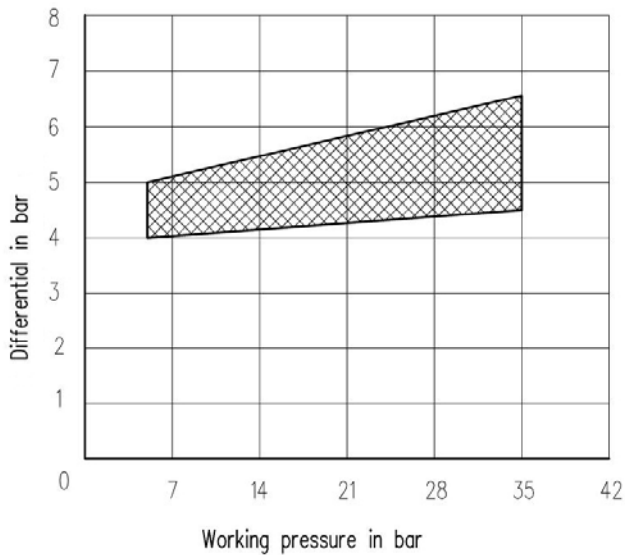


Electric characteristics

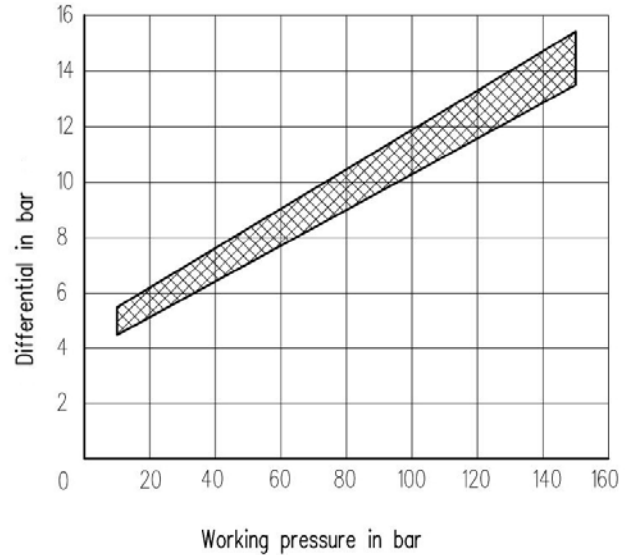
Voltage (V)	125 AC	250 AC	30 DC	150 DC
Max current (Resistive load)	7 Amp.	5 Amp.	5 Amp.	0.2 Amp.
Max current (Inductive load) Cos φ = 0.4	4 Amp.	2 Amp.	3 Amp.	0.02 Amp.
Connection frequency	Max. 120 cycles/min			
Protection	IP-65			
Direct current with inductive load	It is suggested to provide an arching contact			
Contact resistance	15 mΩ			

Diagram

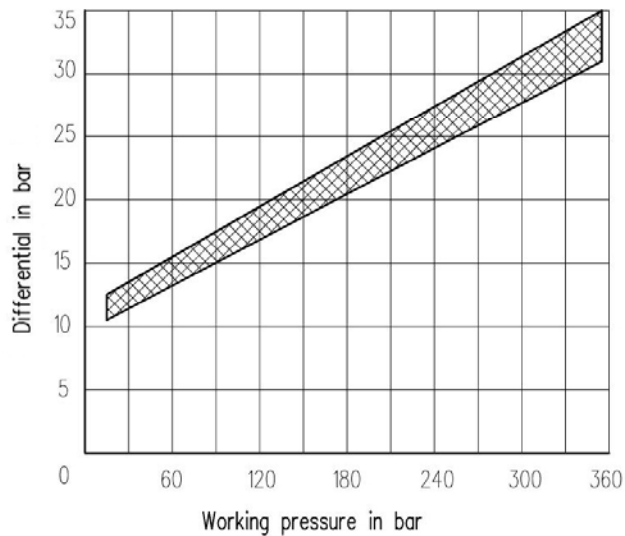
DIFFERENTIAL PRESSURE OF IP-35 PRESSURE SWITCH



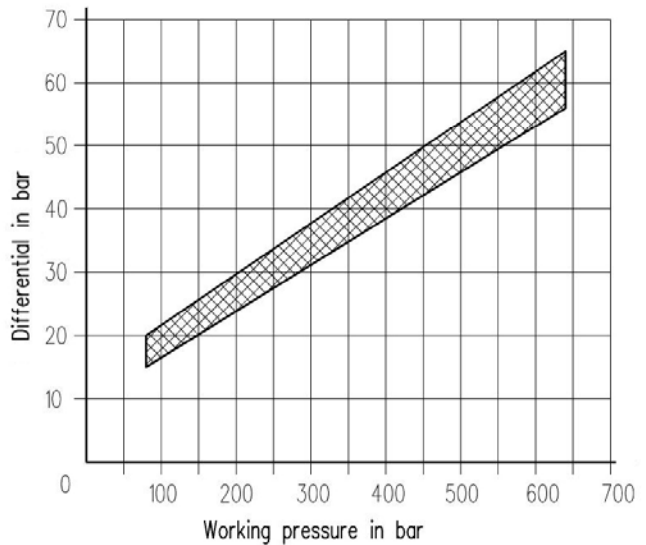
DIFFERENTIAL PRESSURE OF IP-150 PRESSURE SWITCH



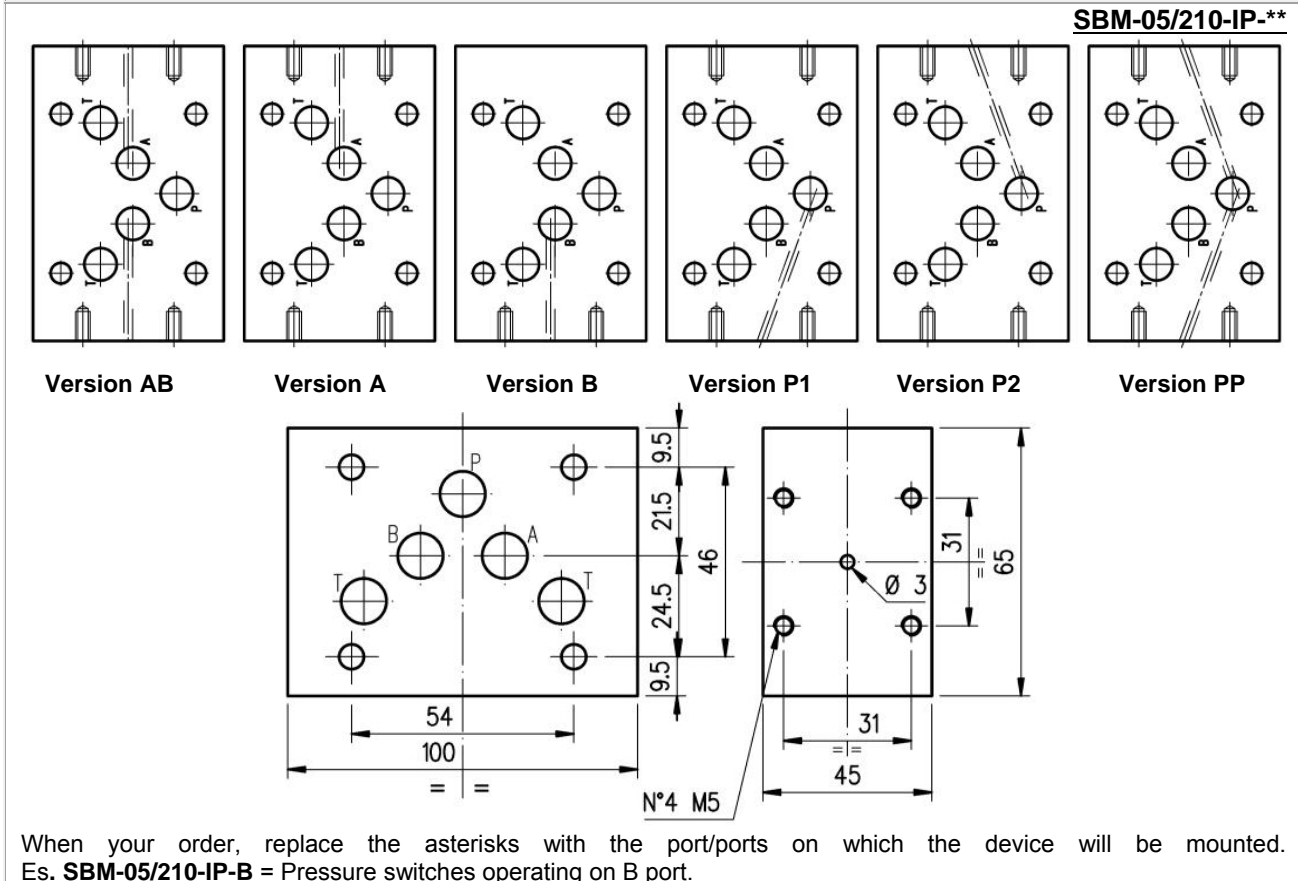
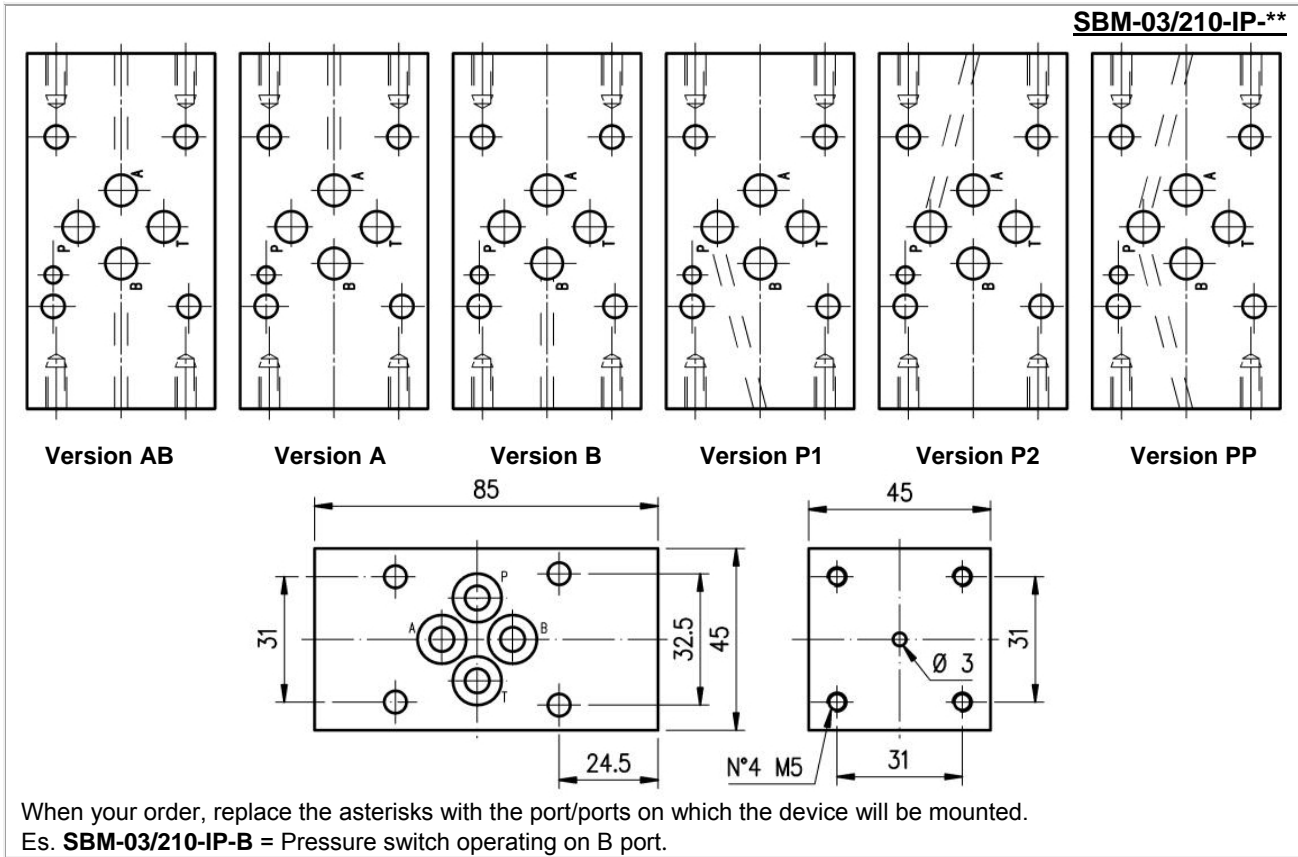
DIFFERENTIAL PRESSURE OF IP-350 PRESSURE SWITCH



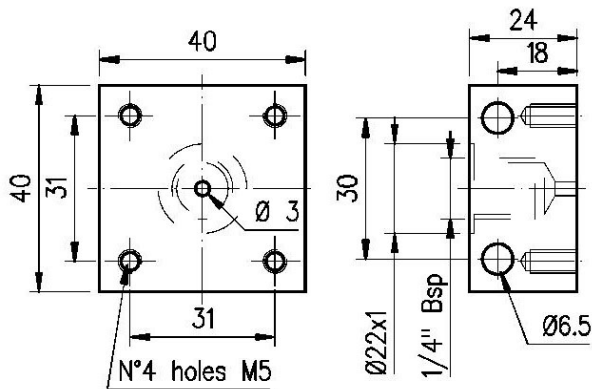
DIFFERENTIAL PRESSURE OF IP-630 PRESSURE SWITCH



Adaptors

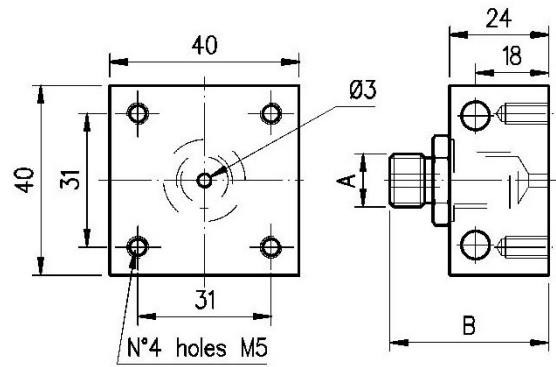


BFU-14 (Female adaptor)



WEIGHT 0.3 Kg.

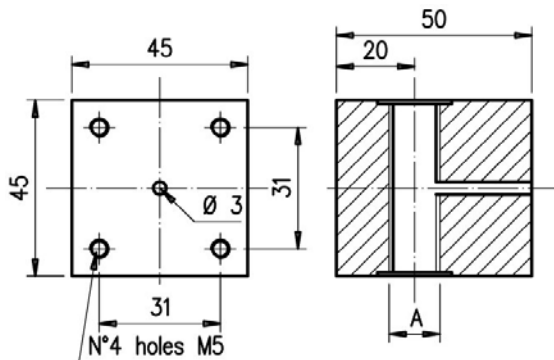
BMM-**



TYPE	A	B
BMM-14	1/4" BSP	41
BMM-38	3/8" BSP	45
BMM-12	1/2" BSP	46

WEIGHT 0.3 Kg.

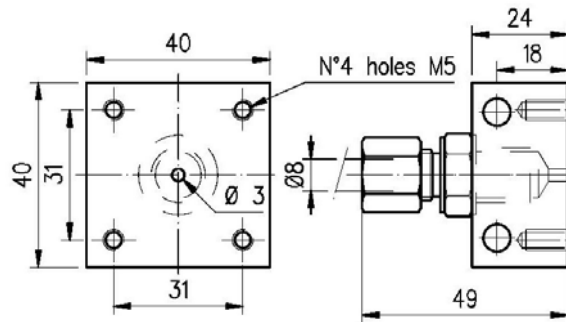
BFM-**



TYPE	A
BFM-14	1/4" BSP
BFM-38	3/8" BSP
BFM-12	1/2" BSP

WEIGHT 0.6 Kg.

BT-1/4x8



It allows the pressure switch mounting:
 - wall-type by using 2 $\varnothing 6.5$ holes
 - equipped with 1/4" BSP tang for $\varnothing 8$ hose

Installation rules

- The pressure switches type IP can be mounted in any position
- Fluid to be used: hydraulic oil in compliance with DIN 51524 rules, viscosity between 30 and 100 mm²/s (cSt) at 40°C
- Recommended filtration of 25 μ
- Hydraulic fluid temperature: from -20° to +75°C

Ordering code

IP - *** / *	/A = electric contacts type A	/E = electric contacts type E
Pressure setting : 035=6-35 bar 150=12-150 bar 350=30-350 bar 630=50-630 bar		
Pressure switch		

The product has not to be used as safety device as stated in Article 1, paragraph 2, letter D of Legislative Decree N° 93 dated 25/02/2000.

The component has been designed and manufactured meeting the requirements stated in Directive 97/23/CE (Legislative Decree N° 93/00).

The component is included in the category provided in Article 3, paragraph 3, for which it can be commercialized without CE marking.

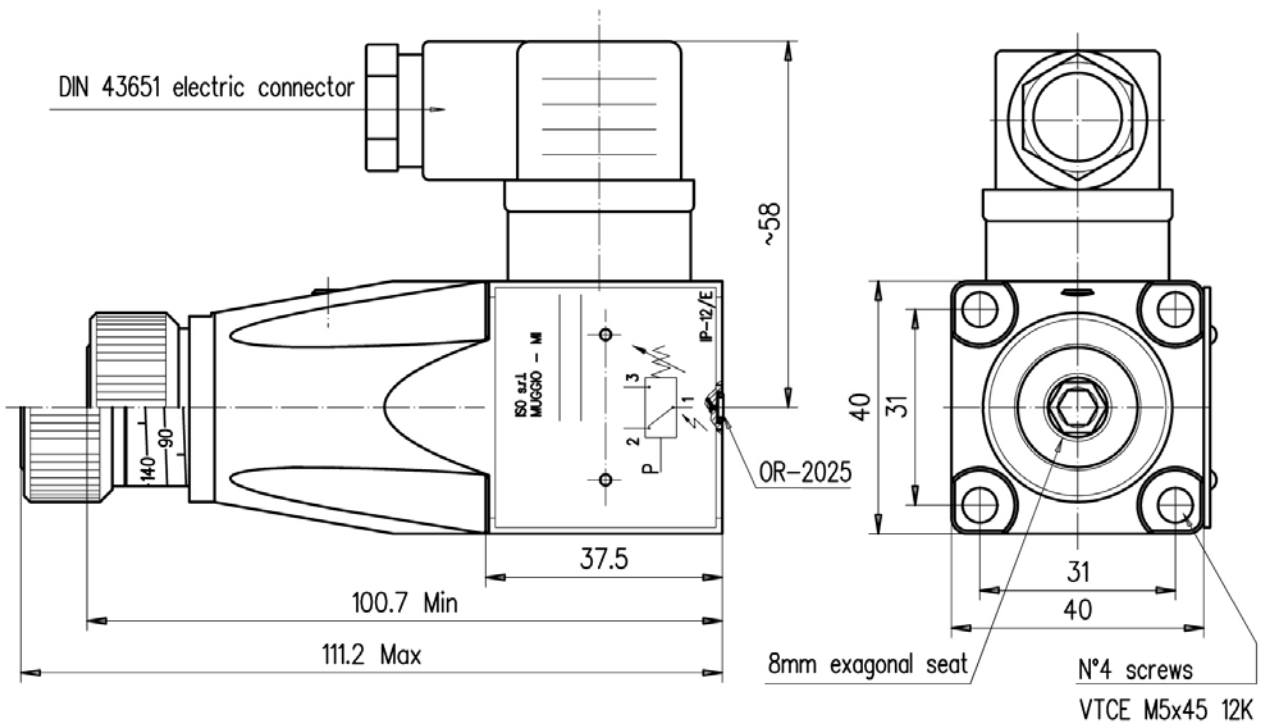
Characteristics

TYPE	SETTING RANGE	MAX WORKING PRESSURE	REPEATABILITY	WEIGHT
IPN-035	6-35 bar	350 bar	< ± 1% of setting	0.65 Kg.
IPN-080	10-80 bar			
IPN-160	12-160 bar			
IPN-250	15-250 bar	650 bar		
IPN-350	30-350 bar			
IPN-630	50-630 bar			

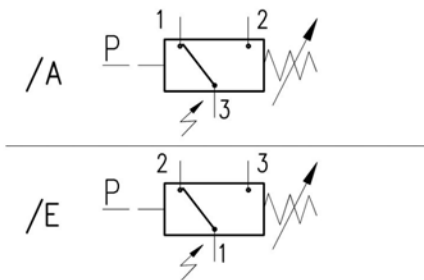
Description

Piston operated, fixed differential, electro-hydraulic pressure switch equipped with electric contact in exchange. When pre-set pressure is achieved, the piston actuates a microswitch. The setting adjustment is achieved by means of a scaled handwheel.

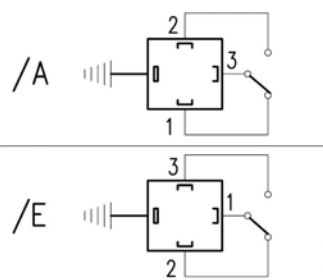
Dimensions



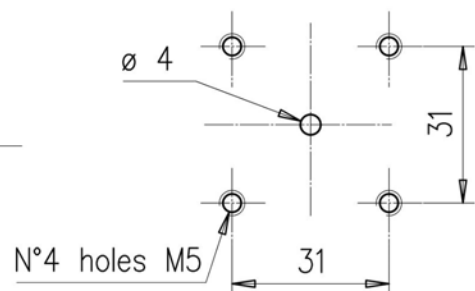
Symbol



Contacts



Flange interface

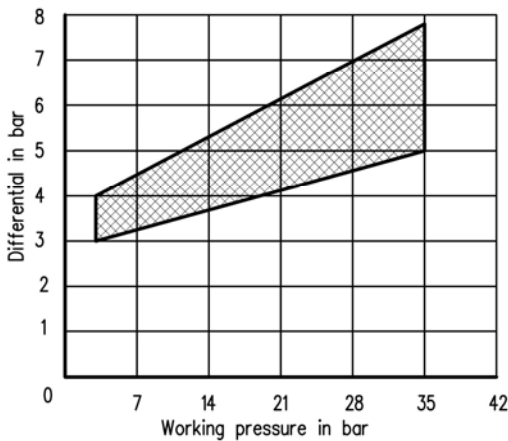


Electric characteristics

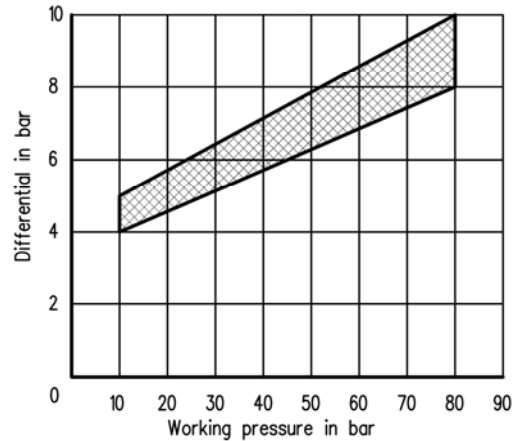
Voltage (V)	125 AC	250 AC	30 DC	150 DC
Max current (Resistive load)	7 Amp.	5 Amp.	5 Amp.	0.2 Amp.
Max current (Inductive load) Cos φ = 0.4	4 Amp.	2 Amp.	3 Amp.	0.02 Amp.
Connection frequency	Max. 120 cycles/min			
Protection	IP-65			
Direct current with inductive load	It is suggested to provide an arching contact			
Contact resistance	15 mΩ			

Diagram

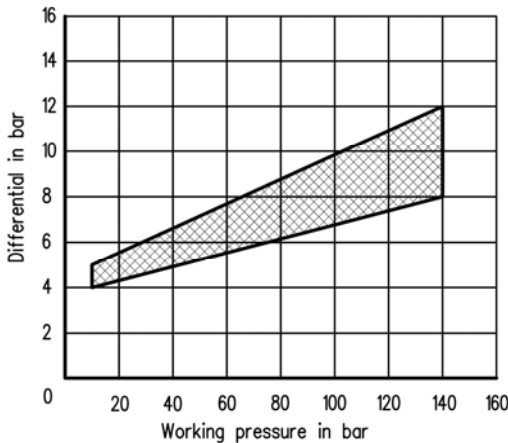
DIFFERENTIAL PRESSURE OF IPN-35 PRESSURE SWITCH



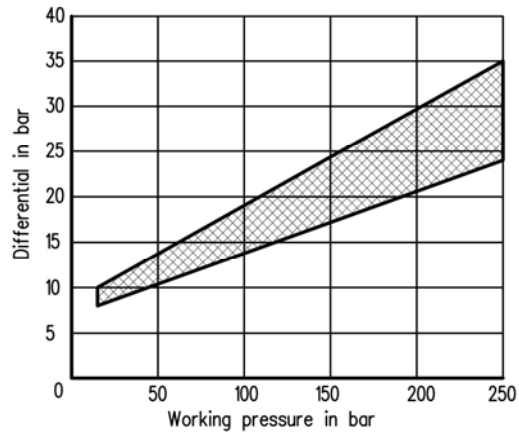
DIFFERENTIAL PRESSURE OF IPN-80 PRESSURE SWITCH



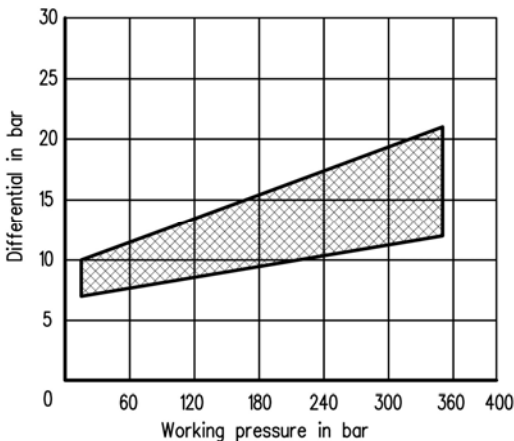
DIFFERENTIAL PRESSURE OF IPN-160 PRESSURE SWITCH



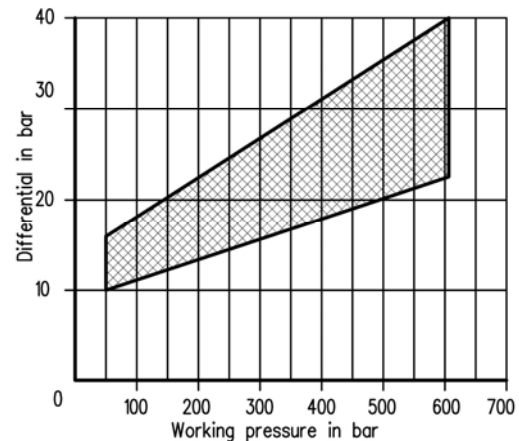
DIFFERENTIAL PRESSURE OF IPN-250 PRESSURE SWITCH



DIFFERENTIAL PRESSURE OF IPN-350 PRESSURE SWITCH

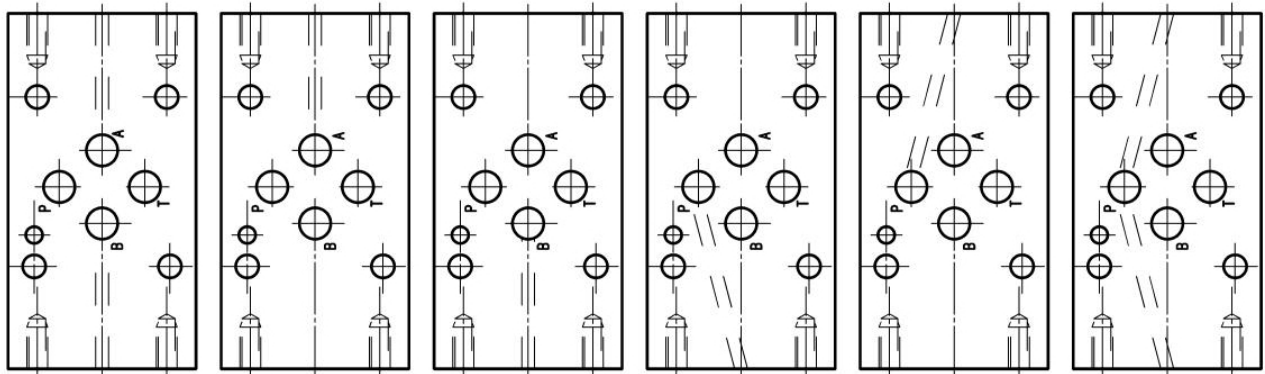


DIFFERENTIAL PRESSURE OF IPN-630 PRESSURE SWITCH



Adaptors

SBM-03/210-IP-**



Version AB

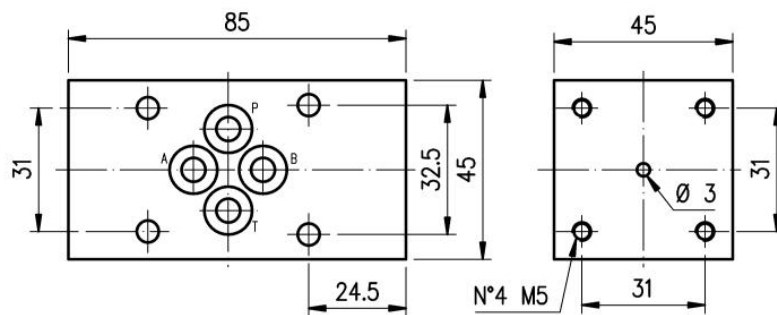
Version A

Version B

Version P1

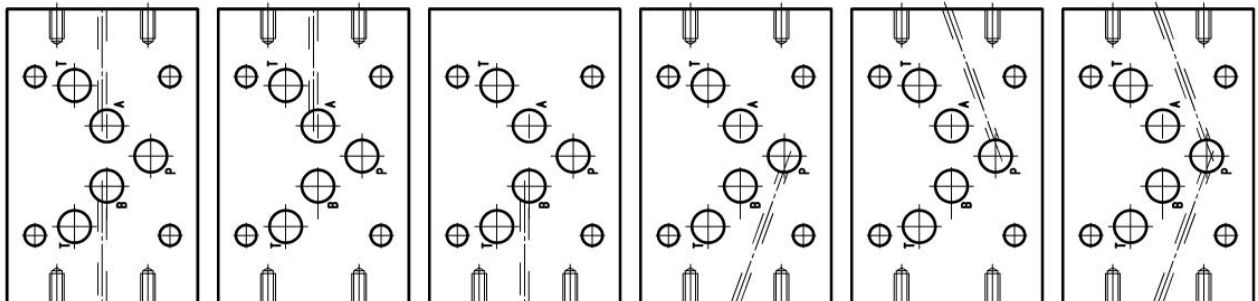
Version P2

Version PP



When your order, replace the asterisks with the port/ports on which the device will be mounted.
Es. **SBM-03/210-IP-B** = Pressure switch operating on B port.

SBM-05/210-IP-**



Version AB

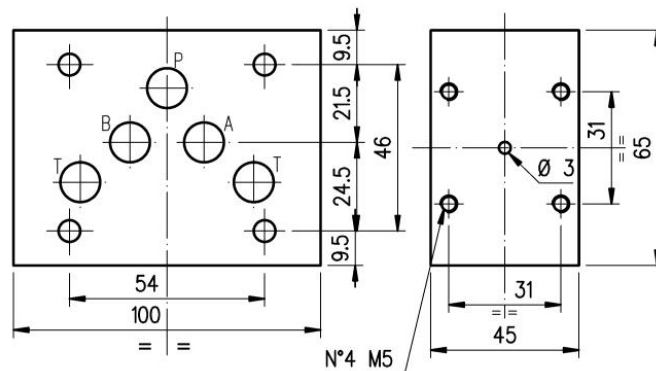
Version A

Version B

Version P1

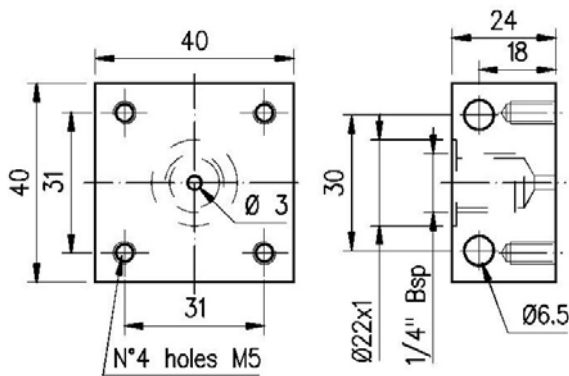
Version P2

Version PP



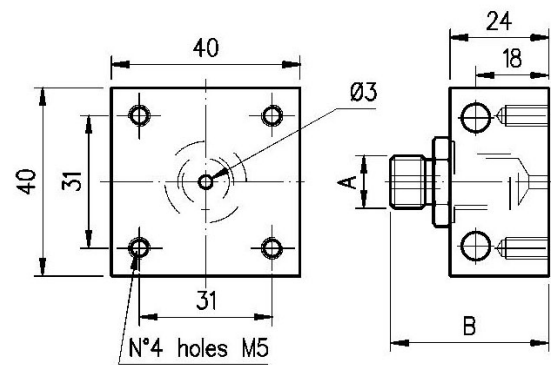
When your order, replace the asterisks with the port/ports on which the device will be mounted.
Es. **SBM-05/210-IP-B** = Pressure switches operating on B port.

BFU-14 (Female adaptor)



WEIGHT 0.3 Kg.

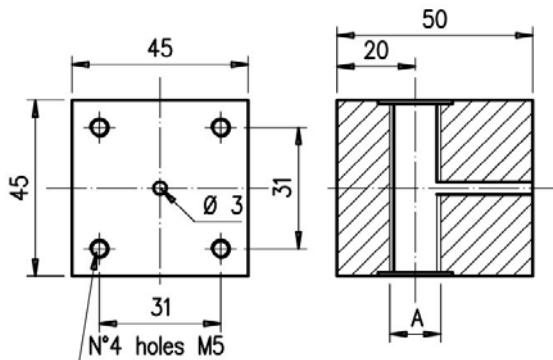
BMM-**



TYPE	A	B
BMM-14	1/4" BSP	41
BMM-38	3/8" BSP	45
BMM-12	1/2" BSP	46

WEIGHT 0.3 Kg.

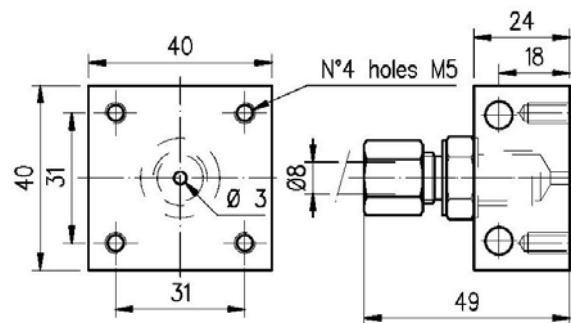
BFM-**



TYPE	A
BFM-14	1/4" BSP
BFM-38	3/8" BSP
BFM-12	1/2" BSP

WEIGHT 0.6 Kg.

BT-1/4x8

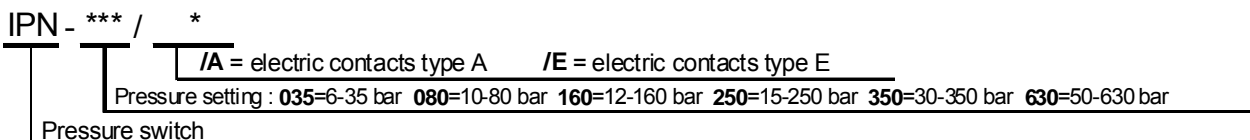


It allows the pressure switch mounting:
 - wall-type by using 2 Ø 6.5 holes
 - equipped with 1/4" BSP tang for Ø 8 hose

Installation rules

- The pressure switches type IPN can be mounted in any position
- Fluid to be used: hydraulic oil in compliance with DIN 51524 rules, viscosity between 30 and 100 mm²/s (cSt) at 40°C
- Recommended filtration of 25µ
- Hydraulic fluid temperature: from -20° to +75°C

Ordering code



The product has not to be used as safety device as stated in Article 1, paragraph 2, letter D of Legislative Decree N° 93 dated 25/02/2000.

The component has been designed and manufactured meeting the requirements stated in Directive 97/23/CE (Legislative Decree N° 93/00).

The component is included in the category provided in Article 3, paragraph 3, for which it can be commercialized without CE marking.