



FT 270/2

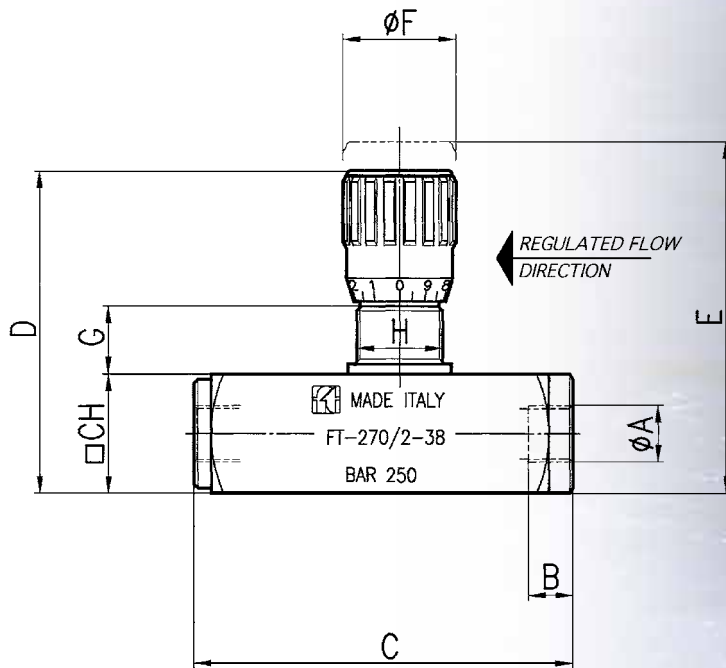


MATERIALS

BASE BODY	11 S MN Pb 30 - UNI EN 10087
COMPENSATING UNIT	38 Ni Cr Mo 4 - UNI EN 10083
OR	NITRILE
ANTIEXTRUSION RING	PTFE
KNOB	GD - AL Si 12 - UNI EN AB 46100

EXAMPLE FOR ORDERING

ACCESSOIRES ON REQUEST				
	CODE	TYPE	PANEL RING NUT	VITON SEAL
STEEL	FT 270/2	14	G	V
STAINLESS STEEL	FT 2270/2	14	G	-



DIMENSIONS

TYPE	ØA UNI 338	B	C	D	E	ØF	G	H	CH	WEIGHT KG
14	1/4" G	12,5	94	81,5	88,5	27	15	M20x1	30	0,580
38	3/8" G	13	110,5	94,5	103	33	17	M25x1,5	35	0,940
12	1/2" G	15,5	137	112	122	38	18	M30x1,5	45	1,830
34	3/4" G	17	163	138	150	47	24	M40x1,5	55	3,350
100	1" G	21	214	175	192	58	32	M50x1,5	70	7,000



DOUBLE-PORT PRESSURE COMPENSATED CONTROL VALVES

The compensated valves are made up of an adjustable orifice and of a pressure compensator piston. Inside they are equipped with wide transversal sections which reduce the loss of pressure. The accuracy of the component processing ensures a very low hysteresis. The accurate checks carried out on the products ensure a good working of the valves also in bad working conditions.

On request

- Fixing panel ring nut
- Viton seals (V)
- Version AISI 316 code FT 2270/2
- ABS handwheel
- Lobes aluminium die-cast handwheel (RA)



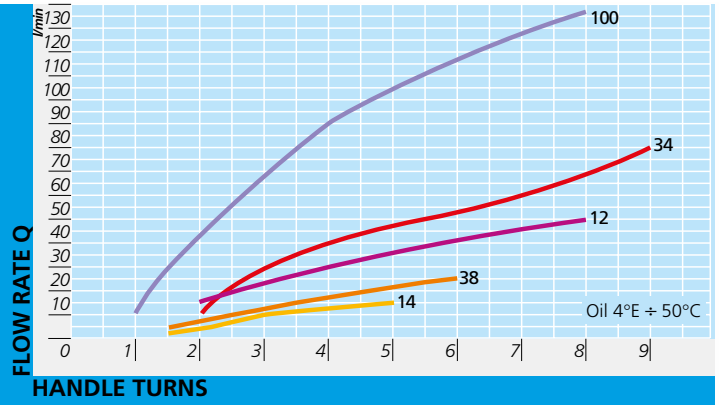
FT 270/2

TECHNICAL DATA

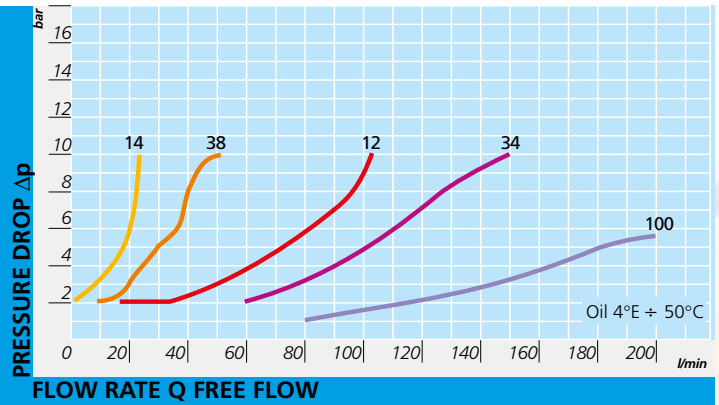
TYPE	MAX WORKING PRESSURE BAR	MIN. ΔP WORKING BAR	WORKING TEMPERATURE C°	FILTRATION GRADE μM ABSOLUTE
14	250	5	-20°/+70°	25
38	250	7	-20°/+70°	25
12	250	10	-20°/+70°	25
34	250	10	-20°/+70°	25
100	250	16	-20°/+70°	25



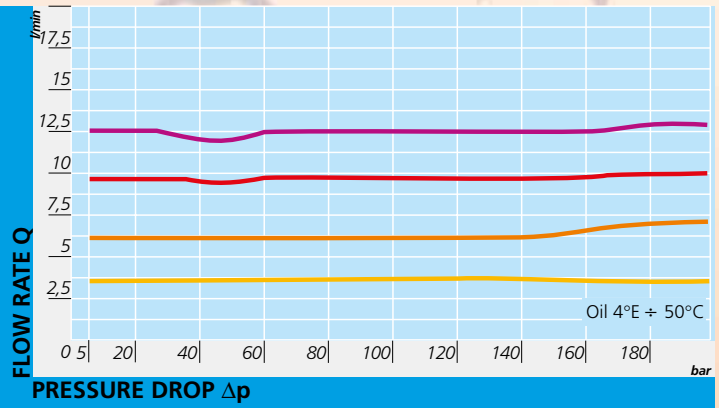
FT 270/2 - 270/5



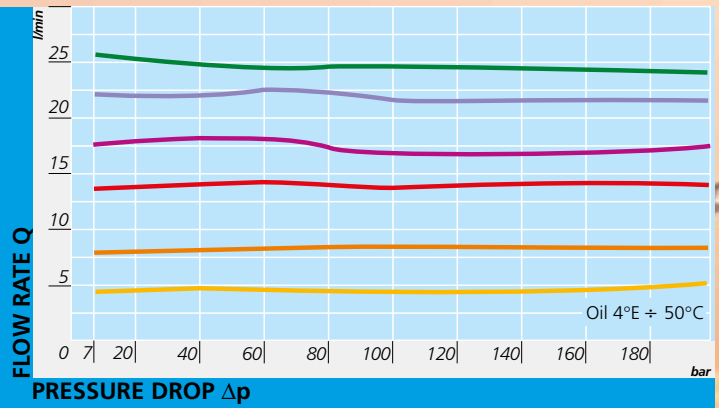
FT 270/5

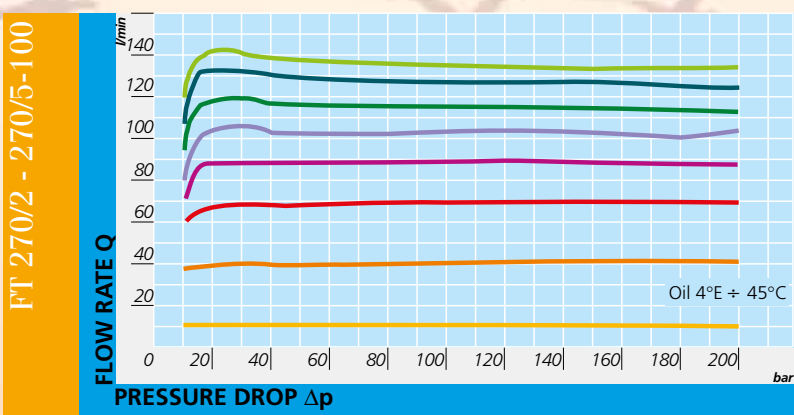
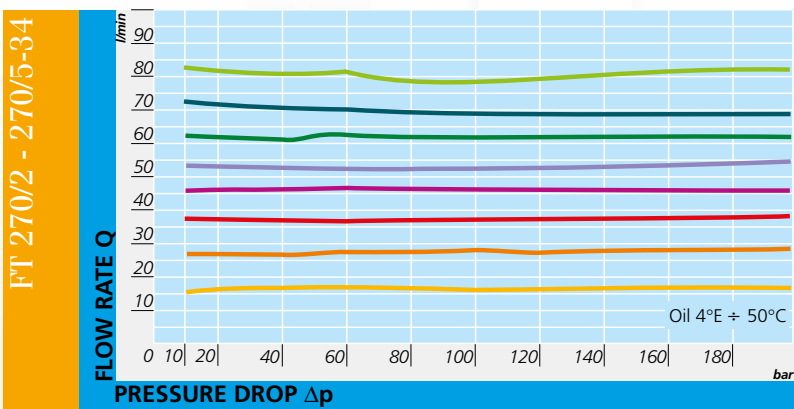
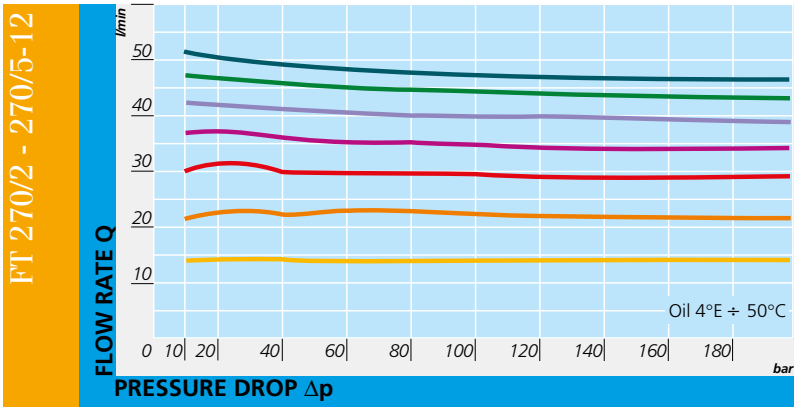


FT 270/2 - 270/5-14



FT 270/2 - 270/5-38





FT 270/2 - 270/5



FT 277/2

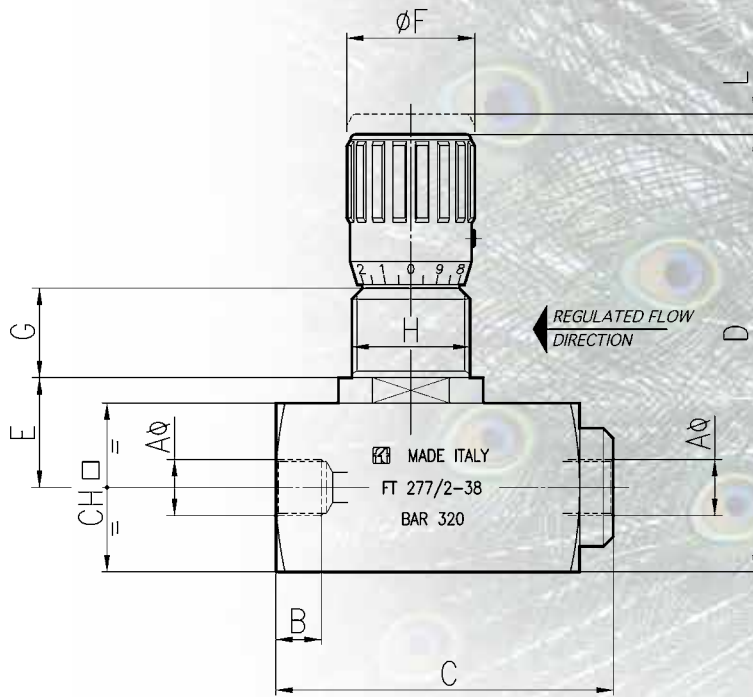


MATERIALS

BASE BODY	11 S MN Pb 30 - UNI EN 10087
CARTRIDGE BODY	35 S MN Pb 10 - UNI EN 10087
COMPENSATING UNIT	38 NI CR MO 4 UNI - EN 10083
OR	NITRILE
ANTIEXTRUSION RING	PTFE
KNOB	GD - AL SI 12 - UNI EN AB 46100

EXAMPLE FOR ORDERING

ACCESSOIRES ON REQUEST			
CODE	TYPE	PANEL RING NUT	VITON SEAL
FT 277/2	34	G	V



DIMENSIONS

TYPE	A UNI338	B	C	D	E	ØF	G	H	L	CH	WEIGHT KG
14	1/4"G	12,5	81	107	28	33	17	M30x1,5	4,5	45	1,300
38	3/8"G	12,5	100	129.5	32	38	27	M35x1,5	6	50	2,000
12	1/2"G	15,5	119	150	38	47	28,5	M40x1,5	6,5	60	3,300
34	3/4"G	17	142	182.5	45	58	35	M50x1,5	7,5	70	6,700



DOUBLE-ACTING PRESSURE COMPENSATED FLOW CONTROL VALVES

Double-port pressure compensated control valves

They include two necks in series:

- the first one with port section definable by an external control;
- the second one with automatically variable section in relation with counter pressure variations on use.

The choice of the adjustable neck situated upstream is that which best ensures the precision of the valve towards variations of the fluid temperature.

Regarding the structure of the valve, the following points must be underlined:

- the rigorous symmetry of the internal components such as to impede unforeseen perturbations of the static and dynamic balances;
 - the optimisation of the arrangement of internal spring controlling the intervention of the automatic throttling, with variable preload with throttling fixed setting, useful to improve the behaviour at medium-high flow rates;
 - the geometry of the passage across which the flow is automatically throttled, designed to minimize the effect of the flow hydromechanics forces on the total balance of the moving element;
 - the accuracy of the machining which enabled to cancel any hysteresis effect of mechanical origin;
 - the original aesthetic feature, underlined by the particular form of the control knob;
 - the easiness to reset the flow value thanks to reference pointers.
- Moreover we believe important to underline the choice of the constructive solution fitting to the concept of "double valence", according to which the central body, configurated as a threaded cartridge and insertable in the two different bodies at the base or directly in standard modular units, brings about the three marketed versions:

- FT 277/2 two-way
- FT 277/5 two-way with single-acting valve
- FT 287/2 with threaded cartridge mounted.

This solution enables the user to request the single modular components to be assembled according to the application.

On request

- equipped with ring nuts (G)
- Viton seals (V)



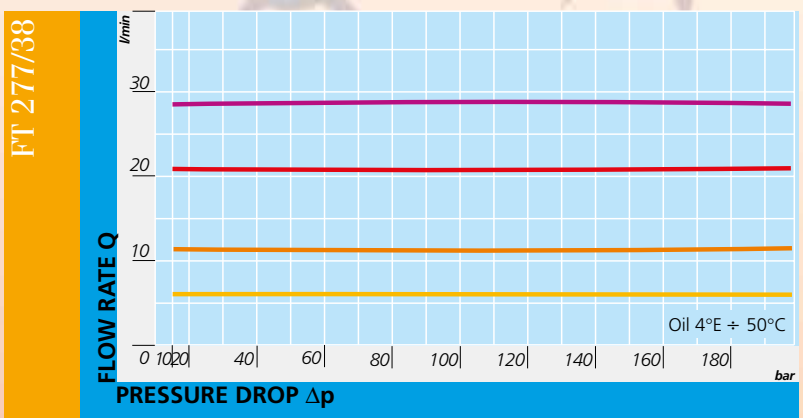
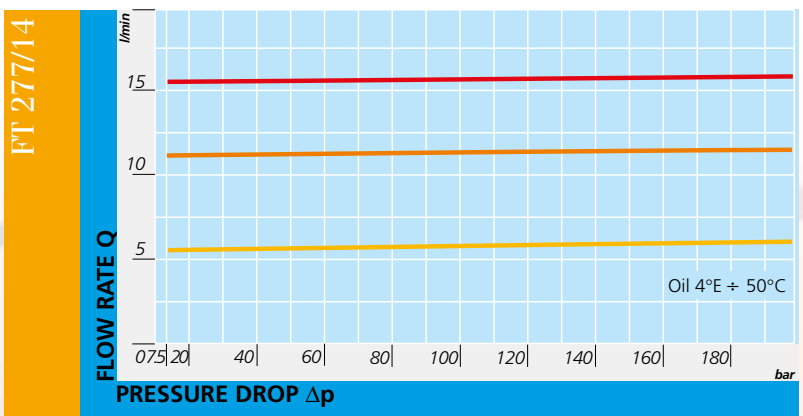
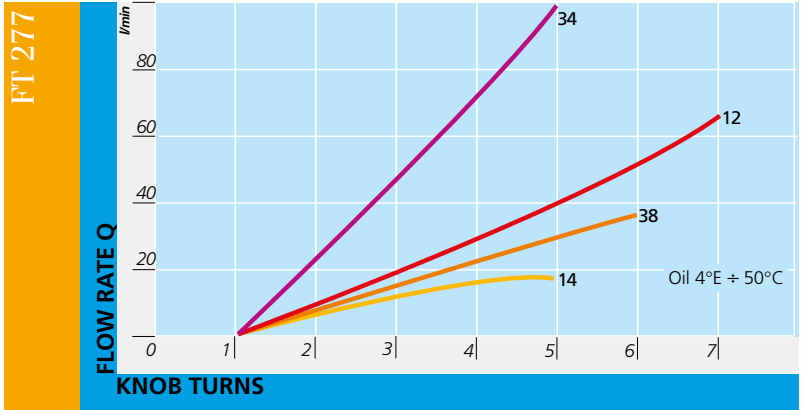
FT 277/2

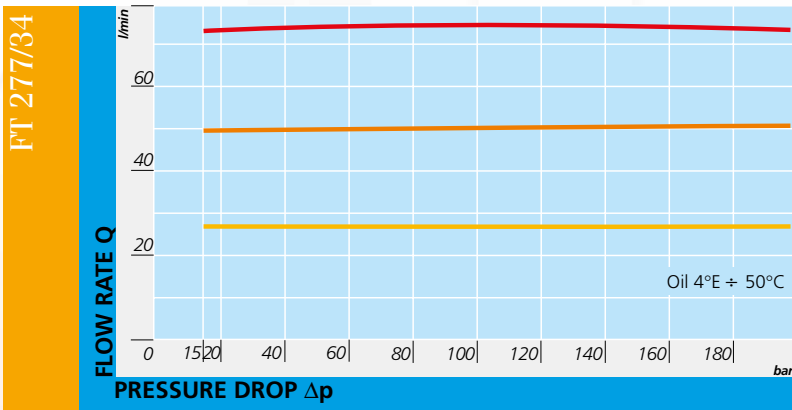
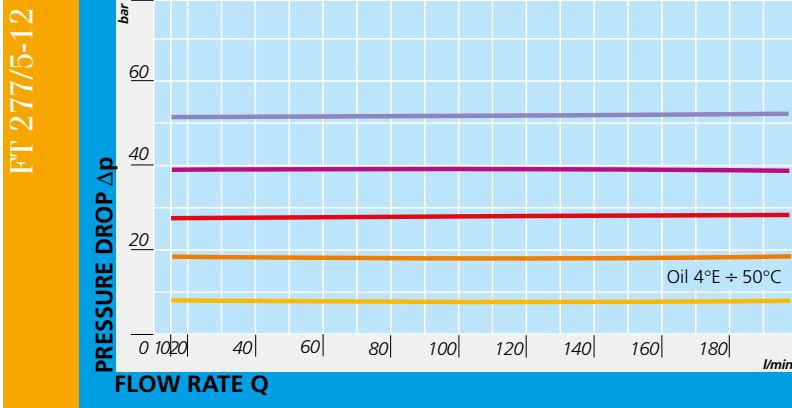
TECHNICAL DATA

TYPE	MAX WORKING PRESSURE BAR	MIN. ΔP WORKING BAR	WORKING TEMPERATURE C°	FILTRATION GRADE μM ABSOLUTE
14	320	7,5	-20°/+70°	25
38	320	10	-20°/+70°	25
12	320	12	-20°/+70°	25
34	320	15	-20°/+70°	25



FT 277/2

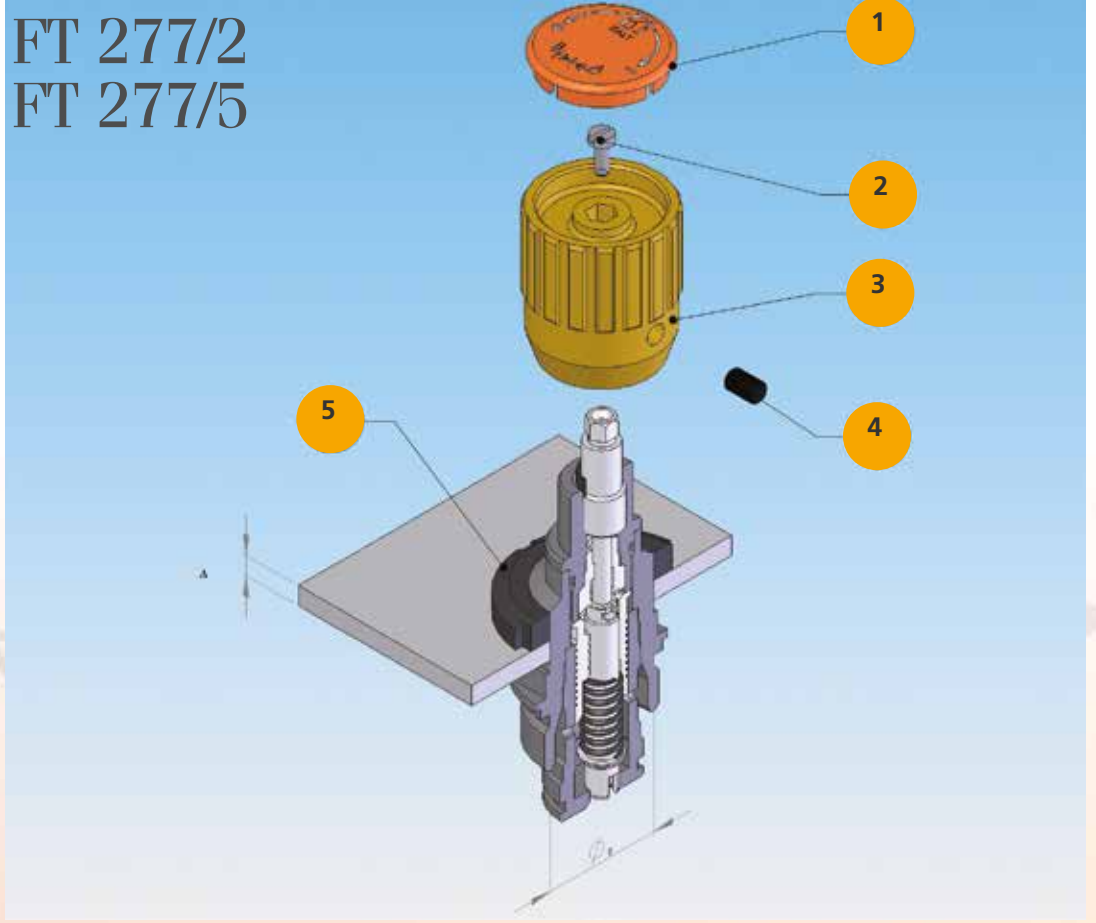




FT 277/2



FT 277/2 - FT 277/5



PANEL MOUNTING INSTRUCTION

PANEL MOUNTING

1°	UNSCREW LOCK SCREW (4)
2°	REMOVE COVER PLATE (1)
3°	UNSCREW SCREW (2)
4°	PULL OFF HANDLE (3)
5°	INSERT RING NUT (5), ON REQUEST IT IS SUPPLIED WITH THE VALVE

TYPE VALVE	PANEL THICKNESS A MAX	BORE FOR PANEL MOUNTING
18	10	31
38	10	36
12	10	41
34	10	51



FT 277/2 - FT 277/5

FT2270/2



DOUBLE-ACTING PRESSURE COMPENSATED AISI 316 STAINLESS STEEL VALVES

The pressure compensated valves are made up of an adjustable orifice and of a pressure compensator piston. The accuracy of the component processing ensures a very low hysteresis. The accurate checks carried out on the products ensure a good working of the valves also in bad working conditions. This special version, made in AISI 316, is indicated for aggressive fields, for example chemical, pharmaceutical, food sectors, sea field, where corrosion resistance is required, resulting both from the environment that other chemical agents. The only fluid allowed is hydraulic oil.



On request

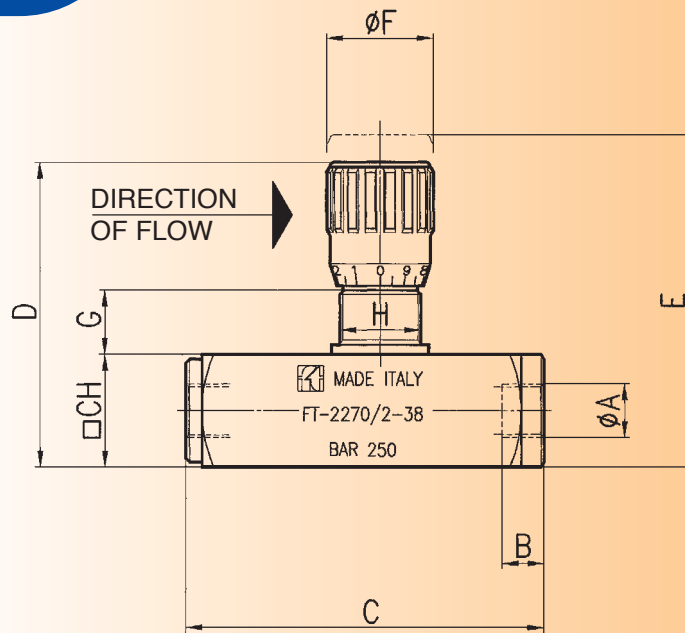
- Fixing panel ring nut
- Stainless steel knob (mx)

materials

Body	AISI 316 stainless steel
Needle	38 Ni Cr Mo 4 UNI - EN 10083
OR	Viton
Antiextrusion ring	PTFE
Handwheel	GD - Al Si 12 UNI 5706
Handwheel (mp)	Acc. Inox AISI 316

example for ordering

Code	Type	Panel ring	Plastic handwheel
FT 2270/2	14	G	mx

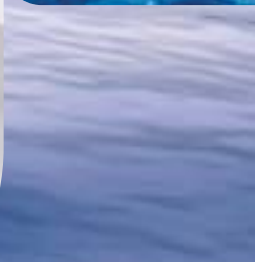


dimensions

Type	ØA UNI 338	B	C	D	E	ØF	G	H	CH	Weight kg
14	1/4" G	12,5	94	81,5	88,5	27	15	M20x1	30	0,580
38	3/8" G	13	110,5	94,5	103	33	17	M25x1,5	35	0,940
12	1/2" G	15,5	137	112	122	38	18	M30x1,5	45	1,830
34	3/4" G	17	163	138	150	47	24	M40x1,5	55	3,350

technical data

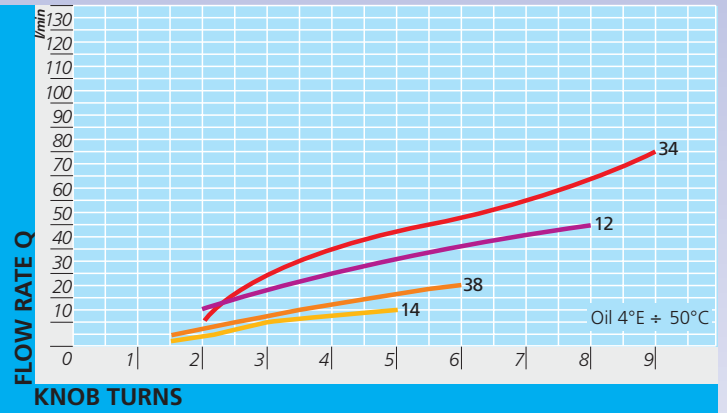
Type	Working pressure bar	Minimum working Δp bar	Working temp. °C	Filtration grade μm absolute
14	250	5	-20°/+160°	25
38	250	7	-20°/+160°	25
12	250	10	-20°/+160°	25
34	250	10	-20°/+160°	25



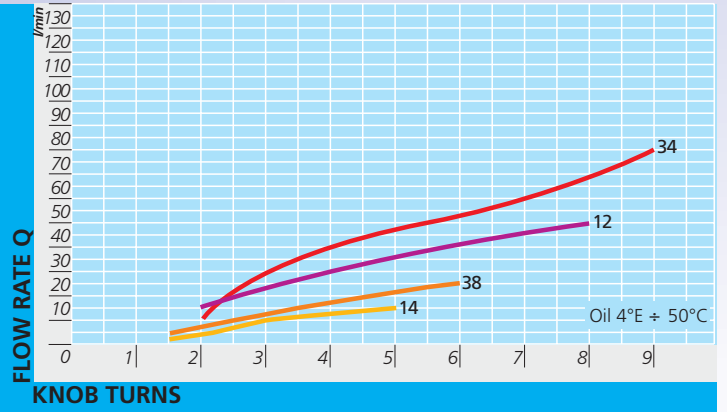
flowrate



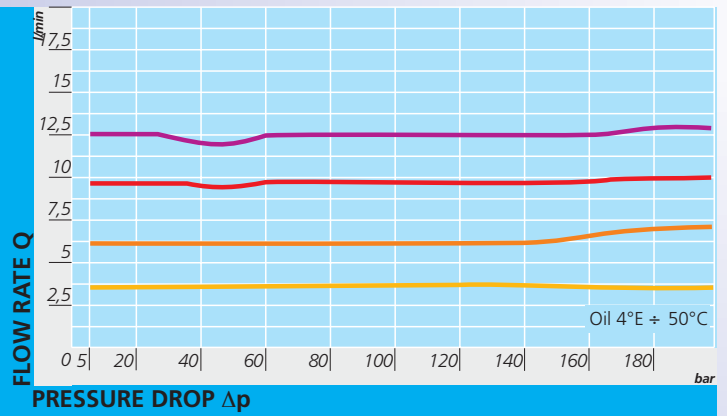
FT 2270/2 FT 2270/5



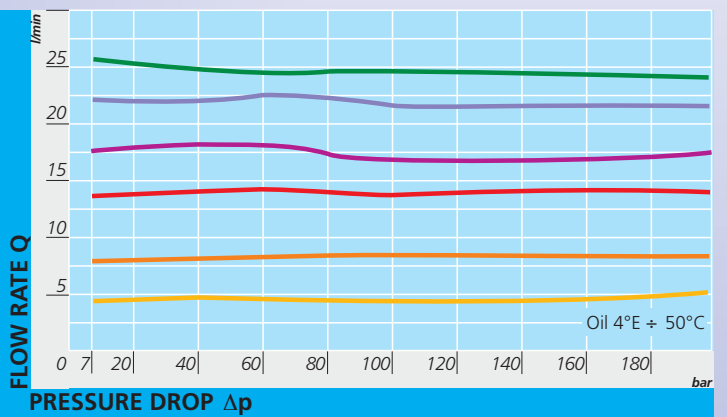
FT 2270/2 FT 2270/5



FT 2270/2 FT 2270/5-14



FT 2270/2 FT 2270/5-38



curves

