



FT 1251/2-01

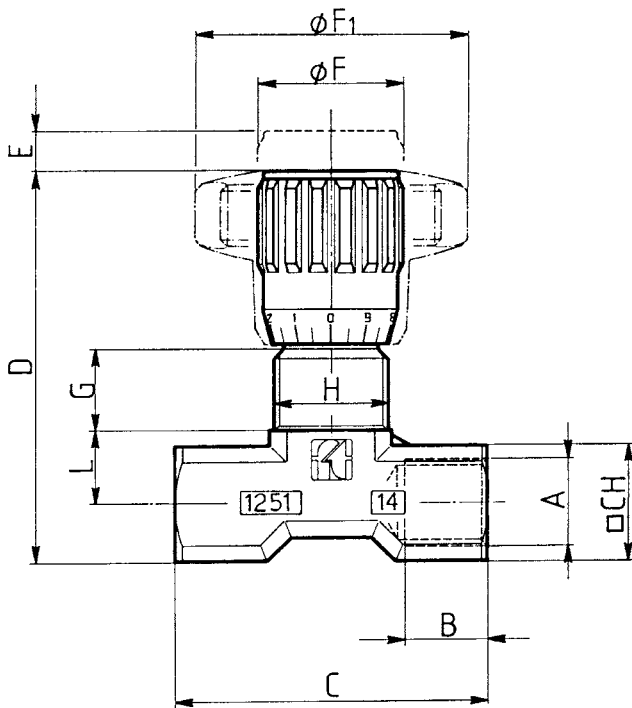


MATERIALS

BODY	DT 58 - UNI 5705 - NICKEL-PLATED
NEEDLE	X 10 CR NI S 1809 - UNI 6900
OR	NITRILE
ANTIEXTRUSION RING	PTFE
KNOB	GD AL SI 12 - UNI EN AB 46100
KNOB (MP)	ABS

EXAMPLE FOR ORDERING

ACCESSORIES BY REQUEST					
	CODE	TYPE	PANEL RING NUT	VITON SEAL	KNOB ABS
BRASS	FT 1251/2-01	38	G	V	MP
STAINLESS STEEL	FT 2251/2-01	14	G	-	MP



DIMENSIONS

TYPE	A UNI 338	B	C	D	E	∅F	∅F1	G	H	L	□ CH	WEIGHT KG
18	1/8"G	8	40	55	4	22	40	12	M15x1	9,5	15	0,105
14	1/4"G	12	46	57	4,5	22	40	11,5	M17x1	11,5	18	0,122
38	3/8"G	13	55	69	7	27	50	12,5	M20x1	15	22	0,233
12	1/2"G	16	70	82	10	33	70	13	M25x1,5	19	27	0,455
34	3/4"G	20	91	100	12	38	80	15	M30x1,5	22	34	0,860



DOUBLE-ACTING CONTROL VALVES FEMALE-FEMALE IN LINE

They allow the regulation of flow in both directions.

Notable from an aesthetical point of view they are built with materials which are suitable also for applications with fluids different from oil (such as: water, gas and liquids in general).

As an alternative to FT 257/2 (suitable up to 400 bar) where the working pressure does not exceed 210 bar and where ferrous materials cannot be used.

They have the same characteristics as the FT 257 series:

- accurate flow regulation;
- efficient metallic sealing;
- simple setting of flow rates;
- secure against accidental needle withdrawal;
- secure needle position with locking screw inserted in the knob;
- provision for panel mounting, for which special lock nut (G) is supplied on request.

For use with pressure up to 210 bar.

On request

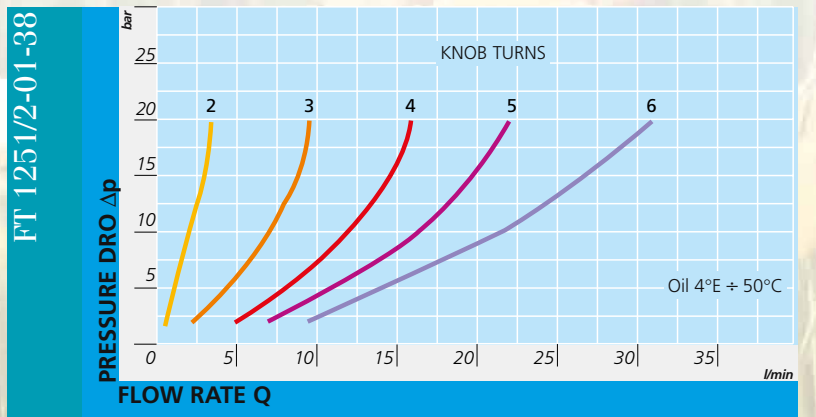
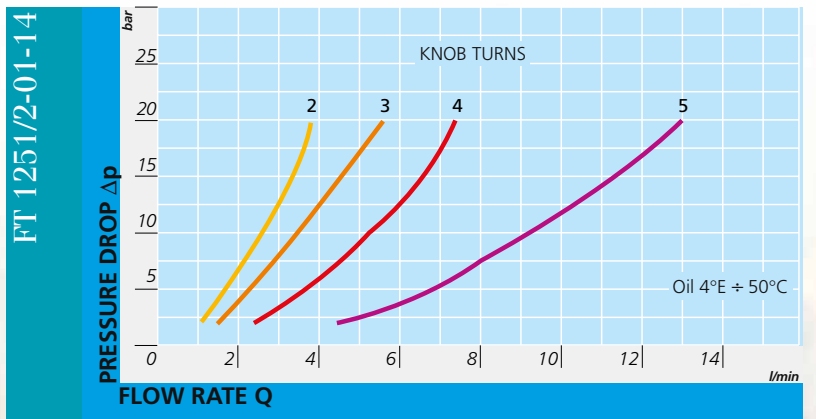
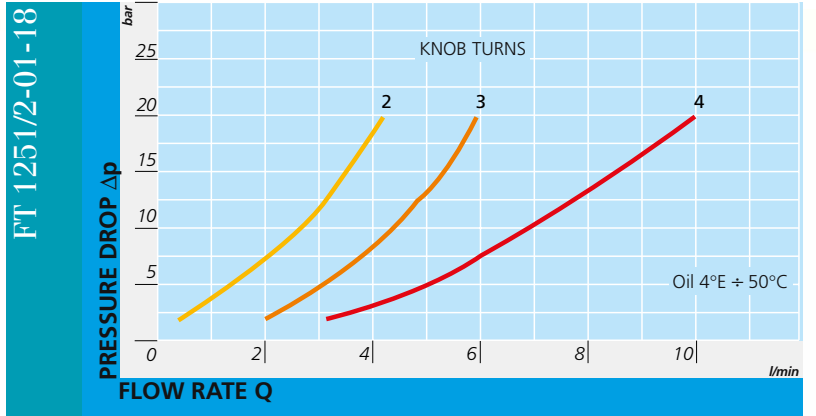
- Versions AISI 316 Code FT 2251/2-01
- Viton (V) seals
- NPT threads
- ABS (mp)Knob
- Complete with lock nut (G)

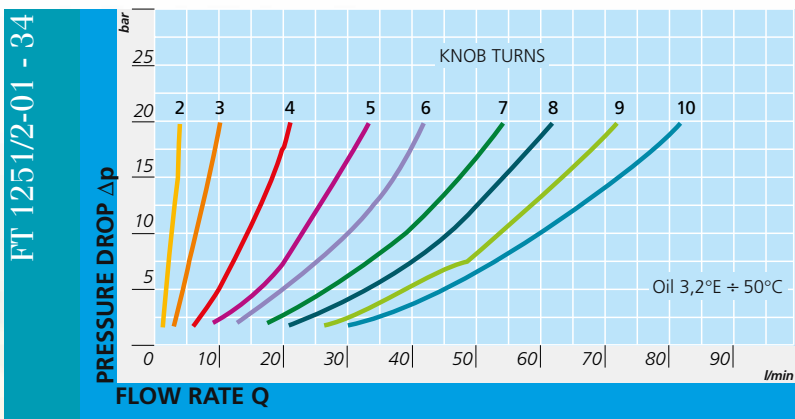
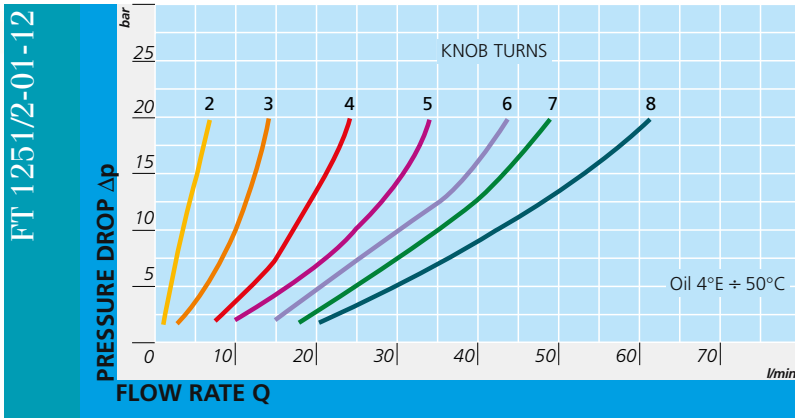


FT 1251/2-01

TECHNICAL DATA

TYPE	FLOW SQ MM ²	MAX WORKING PRESSURE BAR	WORKING TEMPERATURE °C	FILTRATION GRADE μM
18	7,07	210	-20°/+100°	25
14	12,57	210	-20°/+100°	25
38	19,64	210	-20°/+100°	25
12	50,27	210	-20°/+100°	25
34	78,54	210	-20°/+100°	25

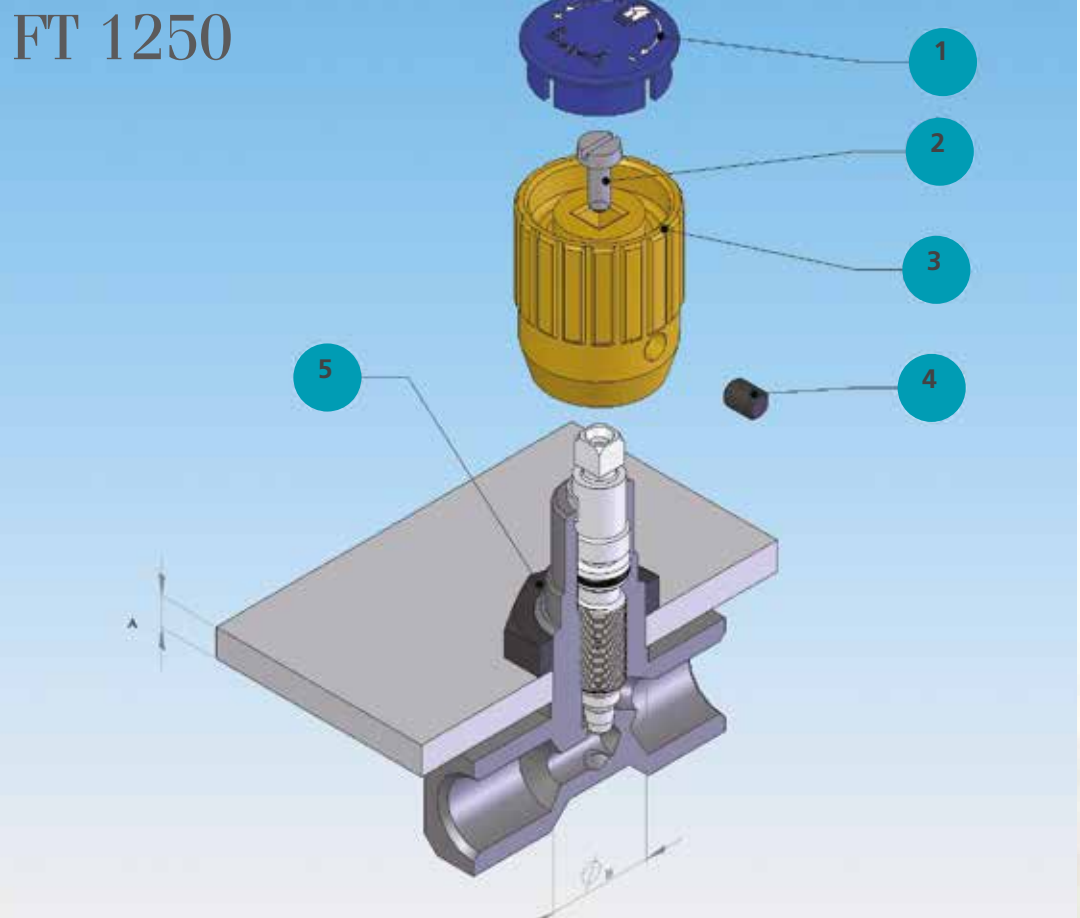




FT 1251/2-01



FT 1250



ASSEMBLY INSTRUCTION

1°	LOOSEN SCREW PRESSURE DOWEL (4)
2°	REMOVE PLUG (1)
3°	REMOVE SCREW (2)
4°	PULL OFF KNOB (3)
5°	INSERT RING NUT (5), ON REQUEST IT IS SUPPLIED WITH THE VALVE
(A)	MAX. THICKNESS
(B)	PANEL HOLE \varnothing

TYPE VALVE	THICKNESS PANEL A MAX	PANEL HOLE \varnothing B
18	5	16
14	5	18
38	5	21
12	6	26
34	6	31



SERIE FT 1250

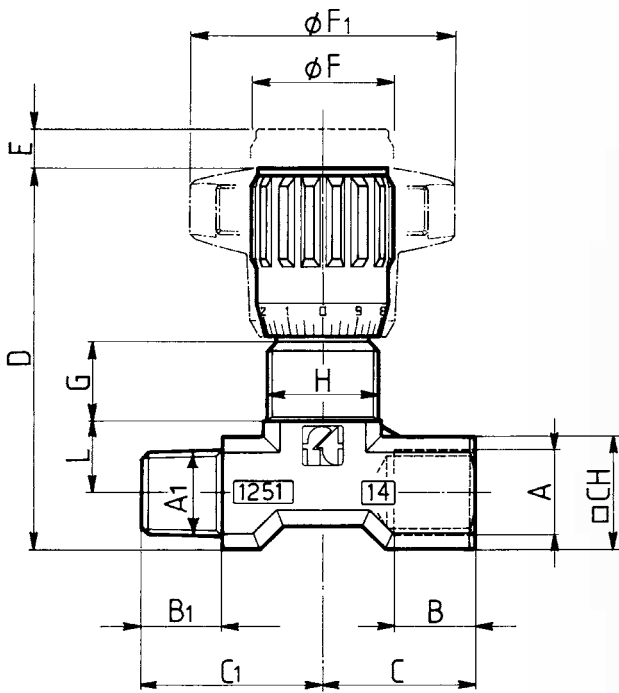


MATERIALS

BODY	OT 58 - UNI 5705 - NICKEL PLATED
NEEDLE	X 10 CR NI S 1809 - UNI 6900
OR	NITRILE
ANTIEXTRUSION RING	PTFE
KNOB	GD AL SI 12 - UNI EN AB 46100
KNOB (MP)	ABS

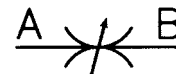
EXAMPLE FOR ORDERING

ACCESSORIES ON REQUEST					
	CODE	TYPE	PANEL RING NUT	VITON SEAL	KNOB ABS
BRASS	FT 1251/2-02	12	G	V	MP
STAINLESS STEEL	FT 2251/2-02	14	G	-	MP



DIMENSIONS

TYPE	A UNI338	A1 UNI339	B	B1	C	C1	D	E	ØF	ØF1	G	H	L	□CH	WEIGHT KG
18	1/8" G	1/8" Gc	8	9	20	24	55	4	22	40	12	M15x1	9,5	15	0,105
14	1/4" G	1/4" Gc	12	12	23	27	57	4,5	22	40	11,5	M17x1	11,5	18	0,130
38	3/8" G	3/8" Gc	13	13	27,5	32,5	69	7	27	50	12,5	M20x1	15	22	0,246
12	1/2" G	1/2" Gc	16	16	35	39,5	82	10	33	70	13	M25x1,5	19	27	0,448
34	3/4" G	3/4" Gc	20	20	45,5	49,5	100	12	38	80	15	M30x1,5	22	34	0,845



DOUBLE-ACTING CONTROL VALVES MALE-FEMALE IN LINE

They allow the regulation of flow in both directions.

Notable from an aesthetical point of view they are built with materials, which are suitable also for applications with fluids different from oil (such as: water, gas and liquids in general).

As an alternative to FT 257/2 (suitable up to 400 bar) where the working pressure does not exceed 210 bar and where ferrous materials cannot be used.

They have the same characteristics as the FT 257 series:

- accurate flow regulation;
- efficient metallic sealing;
- simple setting of flow rates;
- secure against accidental needle withdrawal;
- secure needle position with locking screw inserted in the knob;
- provision for panel mounting, for which special lock nut (G) is supplied on request.

For use with pressure up to 210 bar.

On request

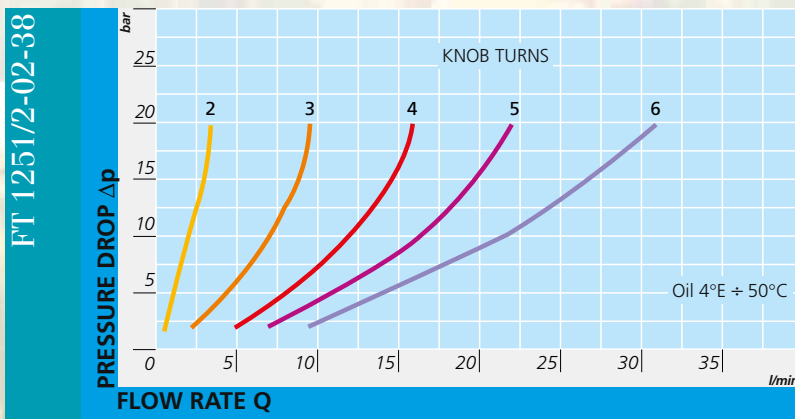
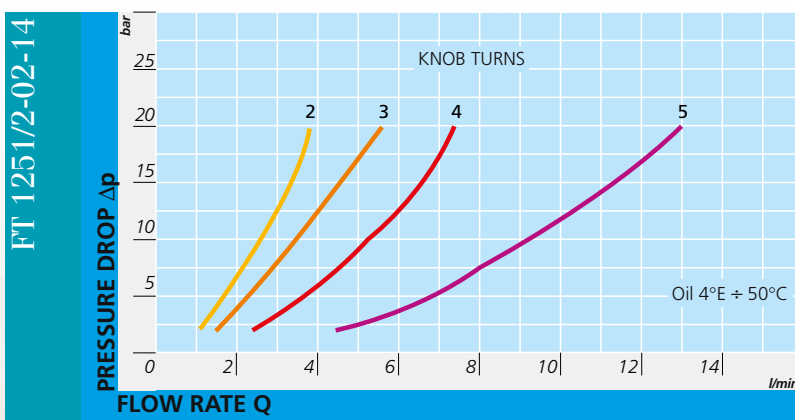
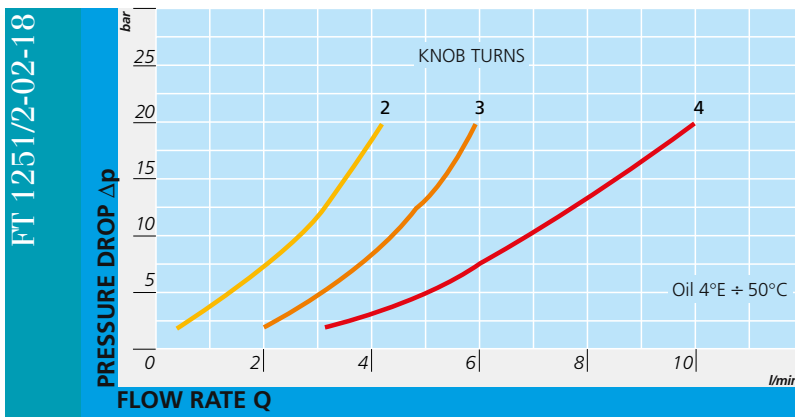
- Versions AISI 316 Code FT 2251/2-02
- Viton (V) seals
- NPT threads
- ABS (mp)Knob
- Complete with lock nut (G)

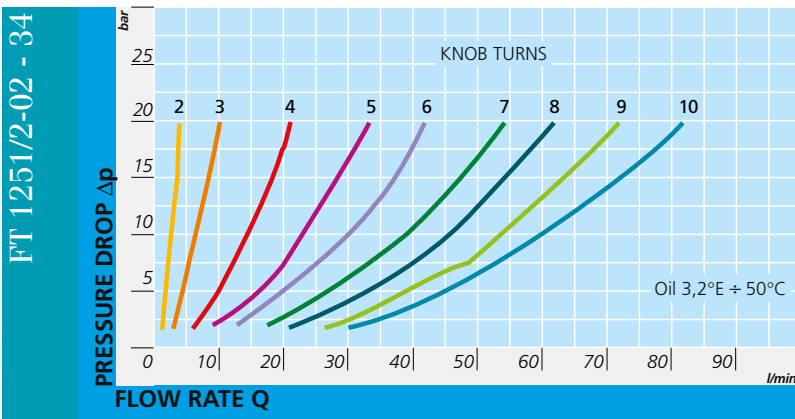
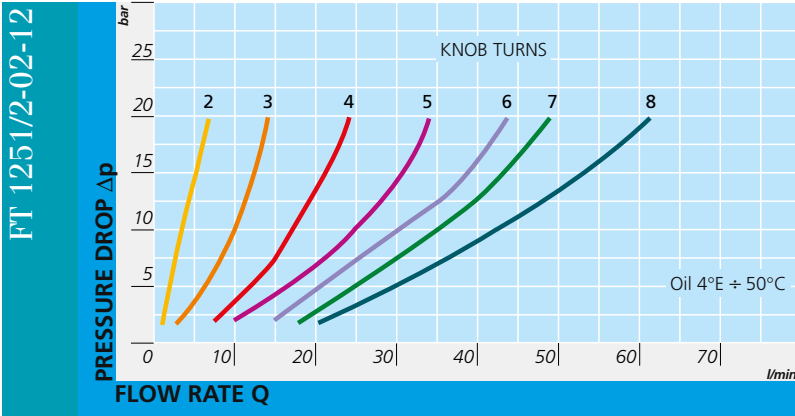


FT 1251/2-02

TECHNICAL DATA

TYPE	FLOW SQ MM ²	MAX WORKING PRESSURE BAR	WORKING TEMPERATURE °C	FILTRATION GRADE μM
18	7,07	210	-20°/+100°	25
14	12,57	210	-20°/+100°	25
38	19,64	210	-20°/+100°	25
12	50,27	210	-20°/+100°	25
34	78,54	210	-20°/+100°	25



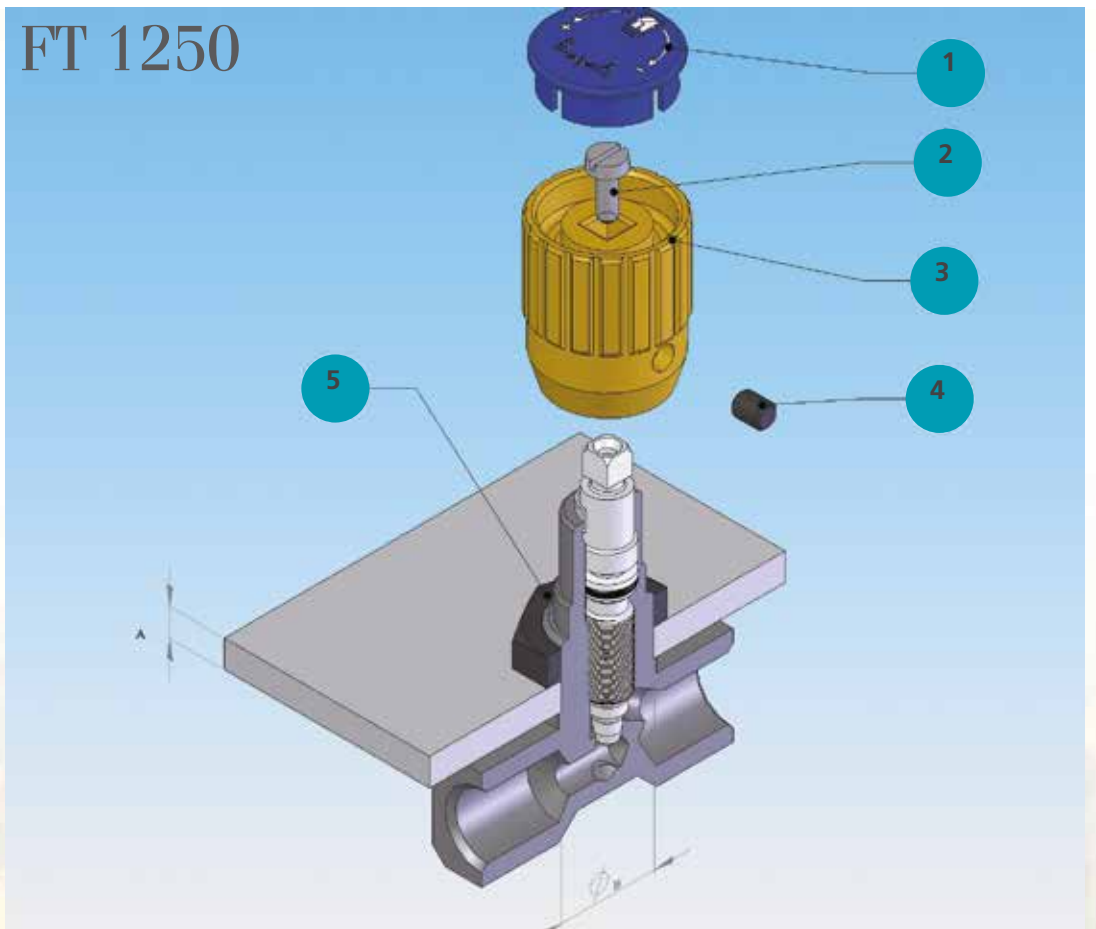


FT 1251/2-02



FT 1250

FT 1250



ASSEMBLY INSTRUCTION

1°	LOOSEN SCREW PRESSURE DOWEL (4)
2°	REMOVE PLUG (1)
3°	REMOVE SCREW (2)
4°	PULL OFF KNOB (3)
5°	INSERT RING NUT (5), ON REQUEST IT IS SUPPLIED WITH THE VALVE
(A)	MAX. THICKNESS
(B)	PANEL HOLE \varnothing

TYPE VALVE	THICKNESS PANEL A MAX	PANEL HOLE \varnothing B
18	5	16
14	5	18
38	5	21
12	6	26
34	6	31



SERIE FT 1250



FT 257/2

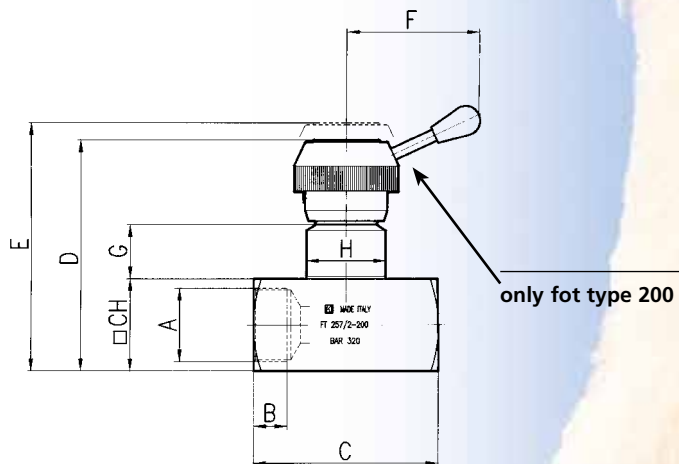
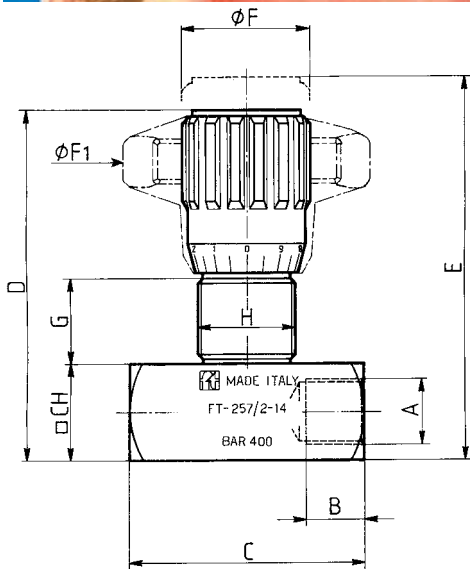


MATERIALS

BODY	11 S MN Pb 30 - UNI EN 10087
NEEDLE	1 C 40 - UNI 8373
OR	NITRILE
ANTIEXTRUSION RINGS	PTFE
KNOB	GD - AL SI 12 - UNI EN AB 46100
KNOB (MP)	ABS
KNOB (RA)	GD - AL SI 12 - UNI EN AB 46100

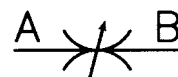
EXAMPLE FOR ORDERING

	CODE	TYPE	PANNEL RING NUT	VITON SEAL	KNOB IN PLASTIC
STEEL	FT 257/2	18	G	V	MP
STAINLESS STEEL	FT 2257/2	38	G	-	MP



DIMENSIONS

TYPE	A UNI 338	B	C	D	E	ØF	ØF1	G	H	CH	WEIGHT KG
18	1/8" G	8,5	38	59	64	22	40	13,5	M17x1	16	0,110
14	1/4" G	12,5	49	71	78	27	50	17	M20x1	20	0,200
38	3/8" G	12,5	59	84	93	33	70	19,5	M25x1,5	25	0,375
12	1/2" G	15,5	68	97	107	38	80	21	M30x1,5	30	0,600
34	3/4" G	17	86	120,5	132,5	47	100	26,5	M40x1,5	40	1,250
100	1" G	20	105	151,5	167,5	58	120	35	M50x1,5	50	2,550
114	1 1/4" G	22	120	156,5	172,5	58	120	35	M50x1,5	55	3,000
112	1 1/2" G	24	134	167	181	58	120	35	M55x2	65	4,217
200	2" G	27	150	188	202	108	/	44	M65x2	75	7,300



DOUBLE-ACTING SHUT-OFF

They allow flow control in both directions.

They are equipped with a needle so to obtain:

- metallic seal;
- flow linearity at the opening;
- accurate control for a wide range of flow rate.

A double reference system made up of a decimal scale on the handle and of a keyed metal ring with graduated fractional scale and divided into sectors allows the identification of flow conditions.

A locking screw in the handle ensures stable flow values preventing accidental adjustments or movements due to vibrations.

A ring nut (G) is used to carry out the panel mounting, on request.

On request

- Versions AISI 316 code FT 2257/2
- Viton seals (V)
- NPT Threads
- Equipped with ring nuts (G)
- Handlewheel in ABS (mp)
- Lobes aluminium die-cast handwheel (RA)



FT 257/2

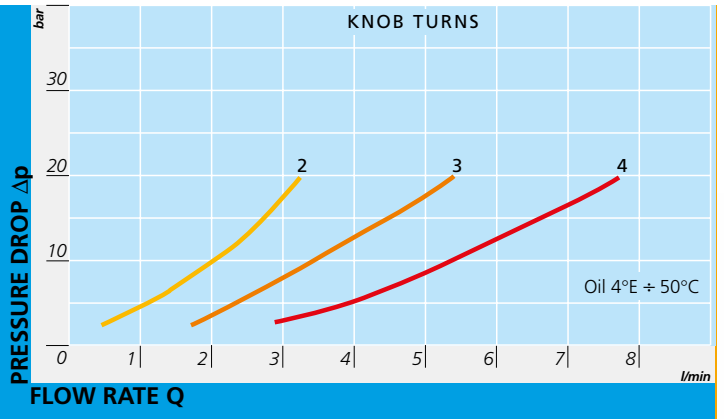


TECHNICAL DATA

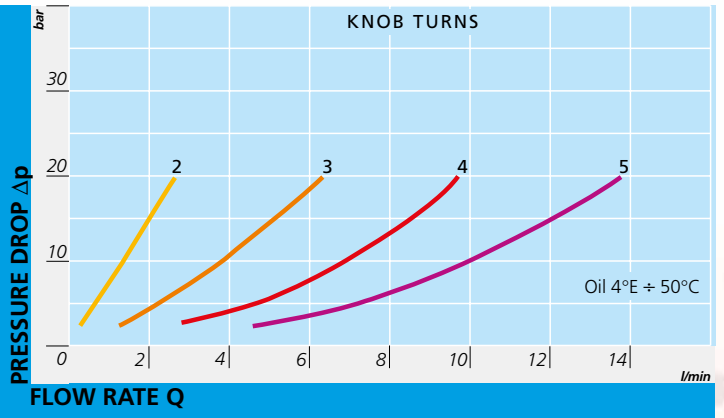
TYPE	FLOW SECTION CM ²	WORKING PRESSURE BAR	MIN. BURSTING PRESSURE BAR	WORKING TEMPERATURE	FILTRATION GRADE μM
18	0,12	400	1600	-20°/+100°	25
14	0,19	400	1600	-20°/+100°	25
38	0,39	400	1600	-20°/+100°	25
12	0,68	400	1600	-20°/+100°	25
34	1,13	400	1600	-20°/+100°	25
100	2,09	320	1300	-20°/+100°	25
114	2,09	320	1300	-20°/+100°	25
112	3,14	320	1300	-20°/+100°	25
200	4,91	320	1300	-20°/+100°	25



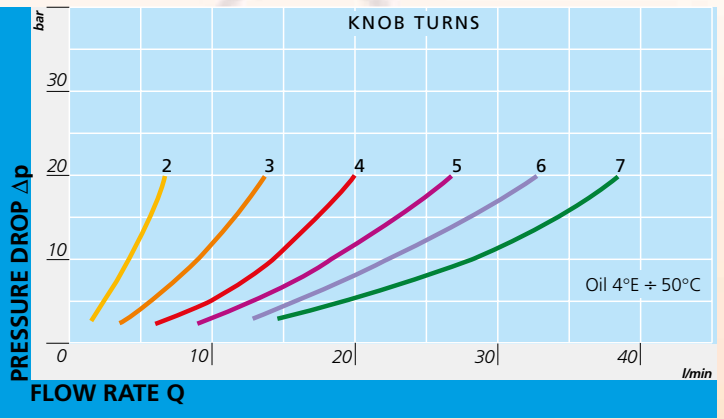
FT 257/2 - 18



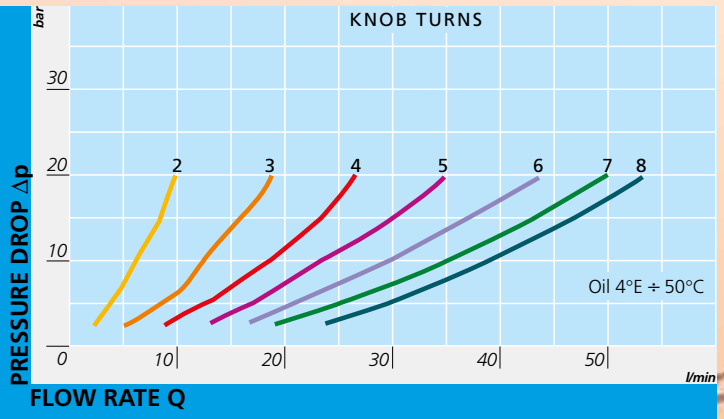
FT 257/2 - 14



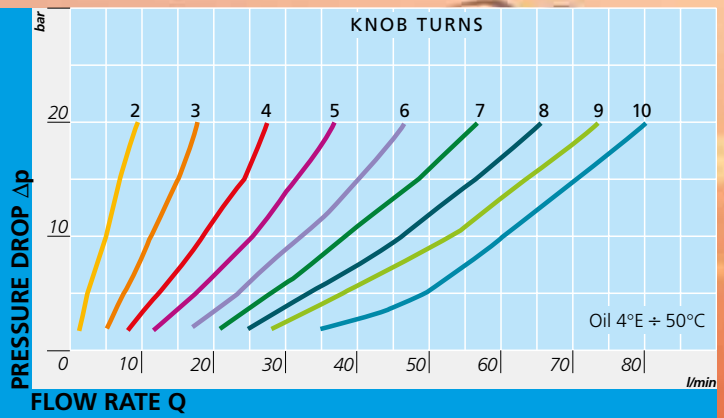
FT 257/2 - 38



FT 257/2 - 12



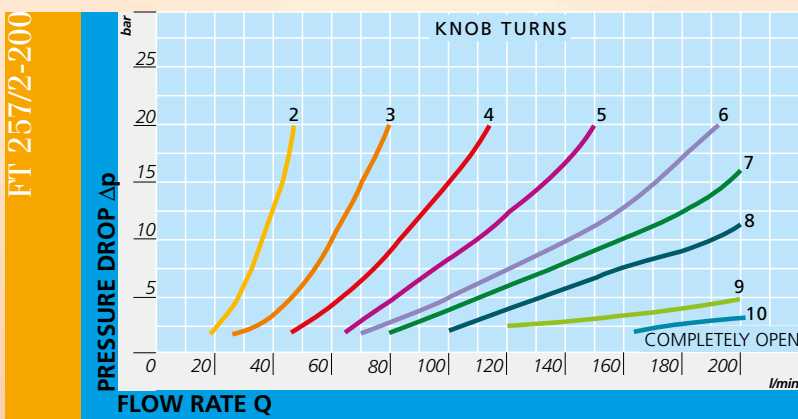
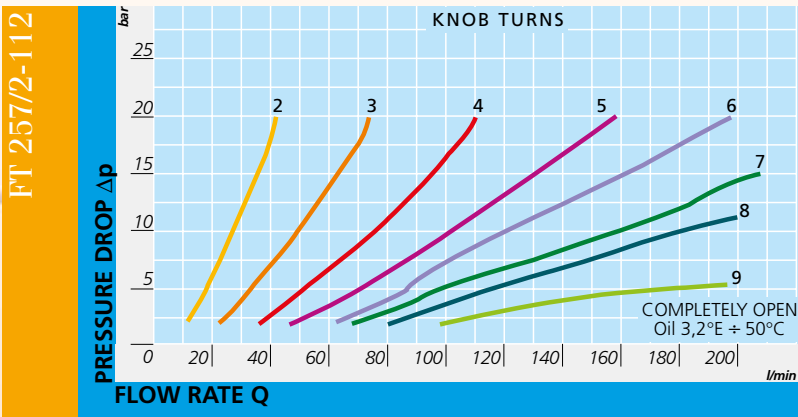
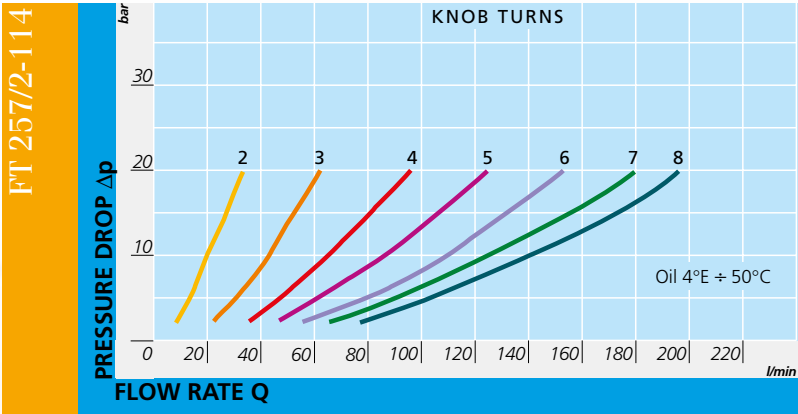
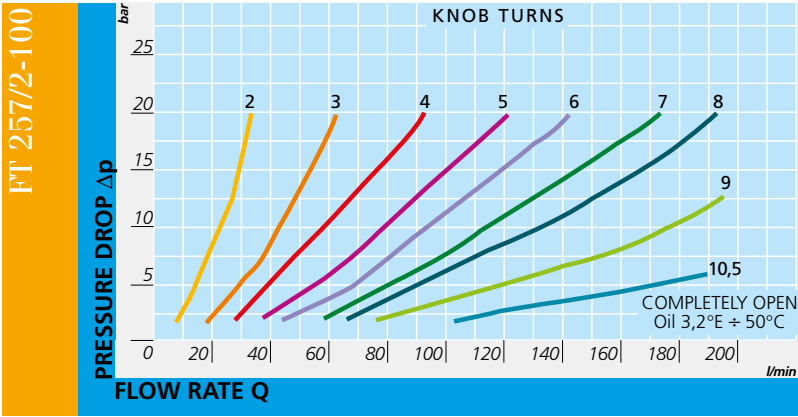
FT 257/2 - 34



FLOW RATE CURVES



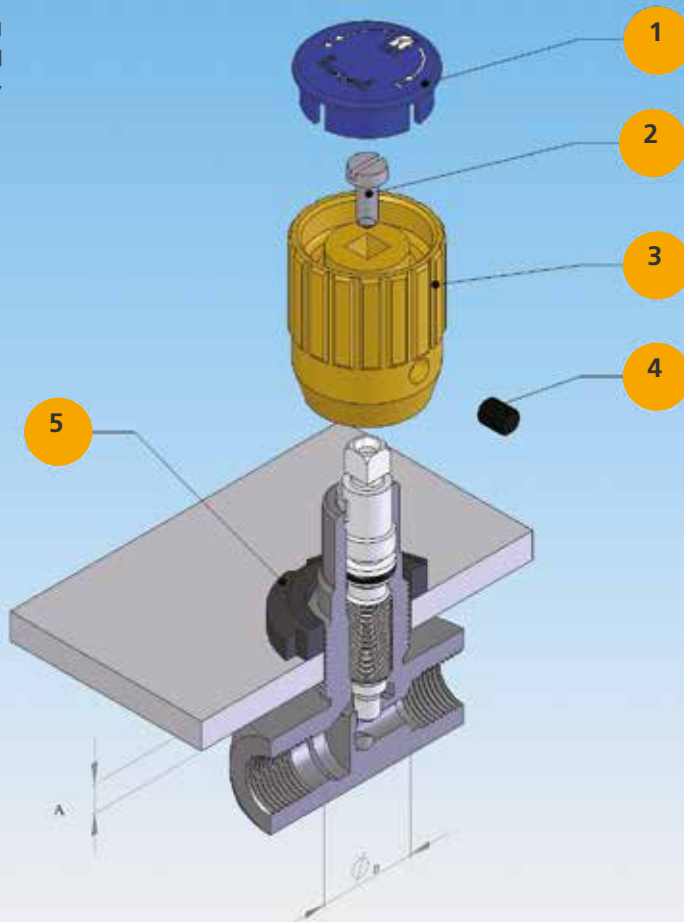
FT 257/2





SERIE FT 257 - FT 252

SERIE
FT 257
FT 252



PANEL MOUNTING INSTRUCTION

PANEL MOUNTING

1°	UNSCREW LOCK SCREW (4)
2°	REMOVE COVER PLATE (1)
3°	UNSCREW SCREW (2)
4°	PULL OFF HANDLE (3)
5°	INSERT RING NUT (5), ON REQUEST IT IS SUPPLIED WITH THE VALVE

FT 257

TYPE VALVE	PANEL THICKNESS A MAX	BORE FOR PANEL MOUNTING $\varnothing B$
18	6	18
14	8	21
38	10	26
12	10	31
34	10	41
100	10	51
114	10	51
112	12	56
200	12	66

FT 252

TYPE VALVE	PANEL THICKNESS A MAX	BORE FOR PANEL MOUNTING $\varnothing B$
14	5	18
38	5	21
12	5	26



SERIE FT 257 - FT 252

FT2251/2-01



Findynamica
drive and control products

DOUBLE-ACTING CONTROL VALVES FEMALE-FEMALE

They allow the regulation of flow in both directions. Notable from an aesthetical point of view they are built with materials, which are suitable also for applications with fluids different from oil (such as: air, gas and liquids in general). The working pressure does not exceed 350 bar.

They have the same characteristics as the FT 2257 series:

- accurate flow regulation;
- efficient metallic sealing;
- simple setting of flow rates;
- secure against accidental needle withdrawal;
- secure needle position with locking screw inserted in the knob;
- provision for panel mounting, for which special lock nut (G) is supplied on request.

On request

- NPT threads
- ABS (mp)Knob

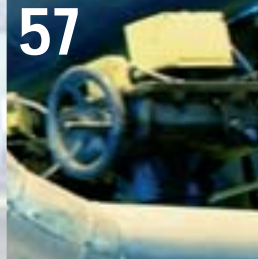
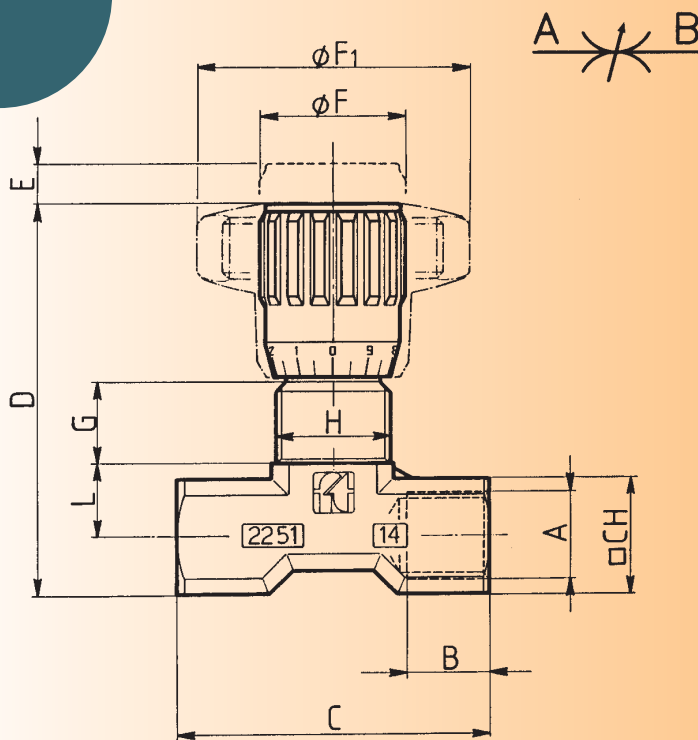
Complete with lock nut (G)

materials

Body	AISI 316 stainless steel
Needle	X 10 Cr Ni S 1809 - UNI 6900
OR	Viton
Antiextrusion ring	PTFE
Handwheel	GD Al Si 12 - UNI 5706
Handwheel (mp)	ABS

example for ordering

Code	Type	Lock nut	Plastic handwheel
FT 2251/2-01	12	G	mp



dimensions

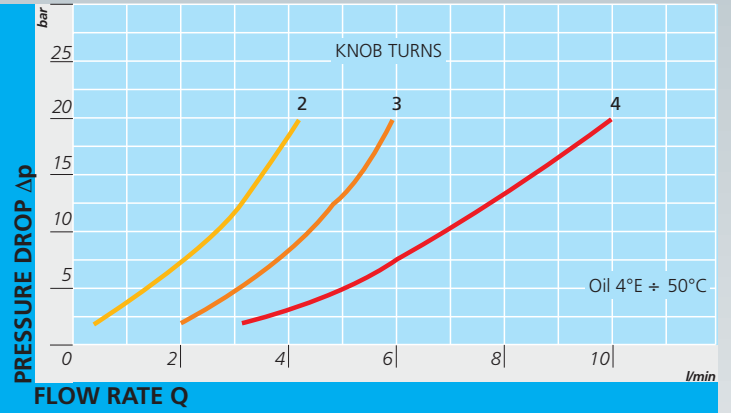
Type	A UNI 338	B	C	D	E	ØF	ØF1	G	H	L	CH	Weight kg
18	1/8"G	8	40	55	4	22	40	12	M15x1	9,5	15	0,105
14	1/4"G	12	46	57	4,5	22	40	11,5	M17x1	11,5	18	0,122
38	3/8"G	13	55	69	7	27	50	12,5	M20x1	15	22	0,233
12	1/2"G	16	70	82	10	33	70	13	M25x1,5	19	27	0,455
34	3/4"G	20	91	100	12	38	80	15	M30x1,5	22	34	0,860

technical data

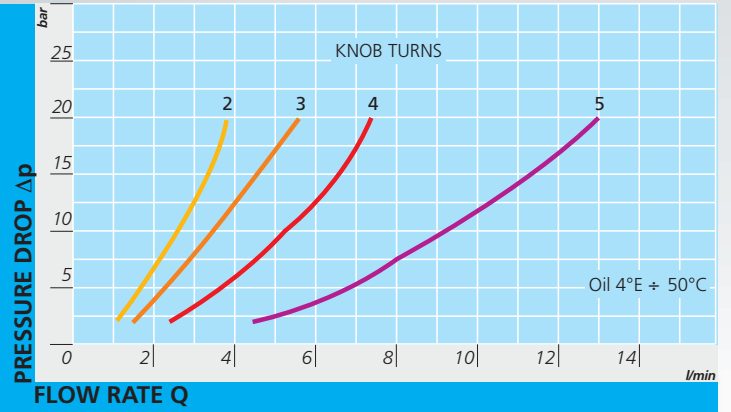
Type	Port section sq. mm	Max. working pressure bar	Working temperature °C	Filtration grade µm
18	7,07	350	-20° / +130°C	25
14	12,57	350	-20° / +130°C	25
38	19,64	350	-20° / +130°C	25
12	50,27	350	-20° / +130°C	25
34	78,54	350	-20° / +130°C	25



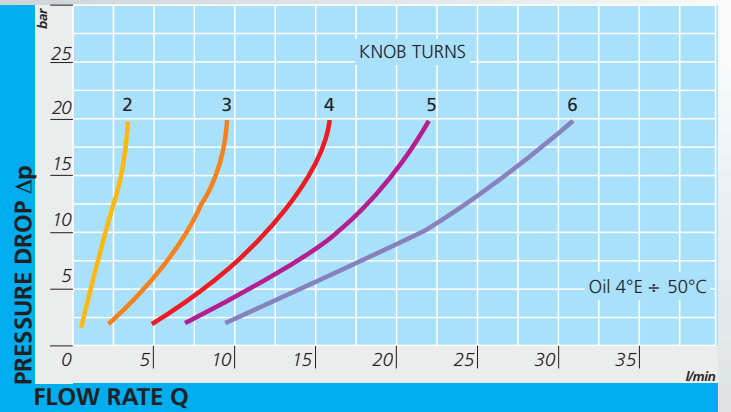
FT 2251/2-01-18



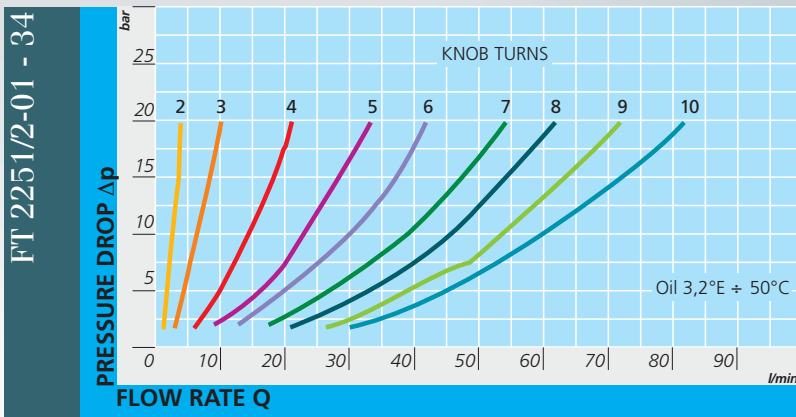
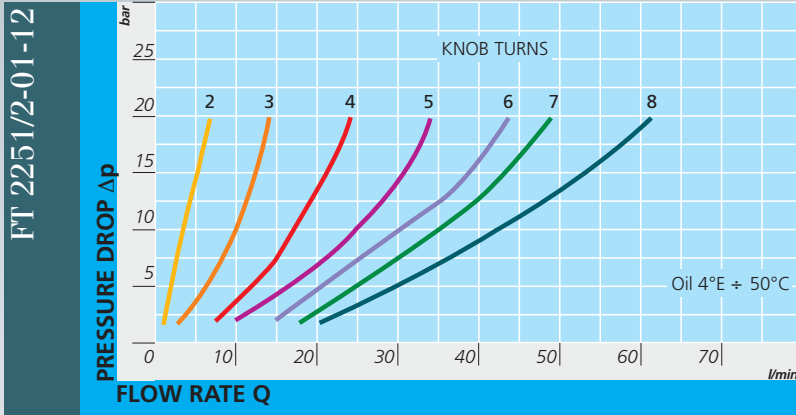
FT 2251/2-01-14



FT 2251/2-01-38



curves





DOUBLE-ACTING CONTROL VALVES MALE-FEMALE

They allow the regulation of flow in both directions. Notable from an aesthetical point of view they are built with materials, which are suitable also for applications with fluids different from oil (such as: air, gas and liquids in general). The working pressure does not exceed 350 bar.

They have the same characteristics as the FT 2257 series:

- accurate flow regulation;
- efficient metallic sealing;
- simple setting of flow rates;
- secure against accidental needle withdrawal;
- secure needle position with locking screw inserted in the knob;
- provision for panel mounting, for which special lock nut (G) is supplied on request.

On request

- NPT threads
- ABS (mp)Knob

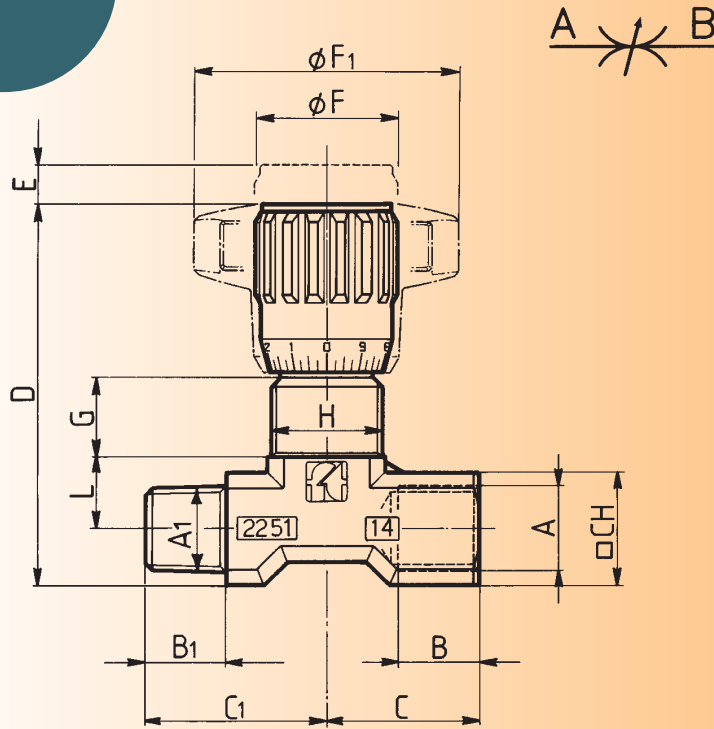
Complete with lock nut (G)

materials

Body	AISI 316 stainless steel
Needle	X 10 Cr Ni S 1809 - UNI 6900
OR	Viton
Antiextrusion ring	PTFE
Handwheel	GD Al Si 12 - UNI 5706
Handwheel (mp)	ABS

example for ordering

Code	Type	Lock nut	Viton seal	Plastic handwheel
FT 2251/2-02	14	G	-	mp



dimensions

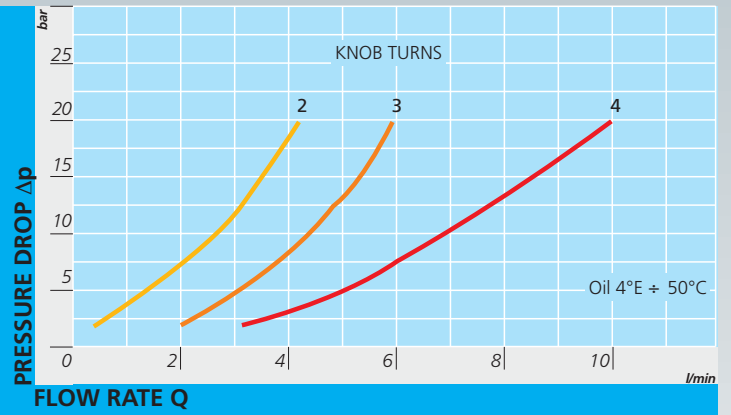
Type	A UNI338	A1 UNI339	B	B1	C	C1	D	E	ØF	ØF1	G	H	L	CH	Weight kg
18	1/8"G	1/8"Gc	8	9	20	24	55	4	22	40	12	M15x1	9,5	15	0,105
14	1/4"G	1/4"Gc	12	12	23	27	57	4,5	22	40	11,5	M17x1	11,5	18	0,130
38	3/8"G	3/8"Gc	13	13	27,5	32,5	69	7	27	50	12,5	M20x1	15	22	0,246
12	1/2"G	1/2"Gc	16	16	35	39,5	82	10	33	70	13	M25x1,5	19	27	0,448
34	3/4"G	3/4"Gc	20	20	45,5	49,5	100	12	38	80	15	M30x1,5	22	34	0,845

technical data

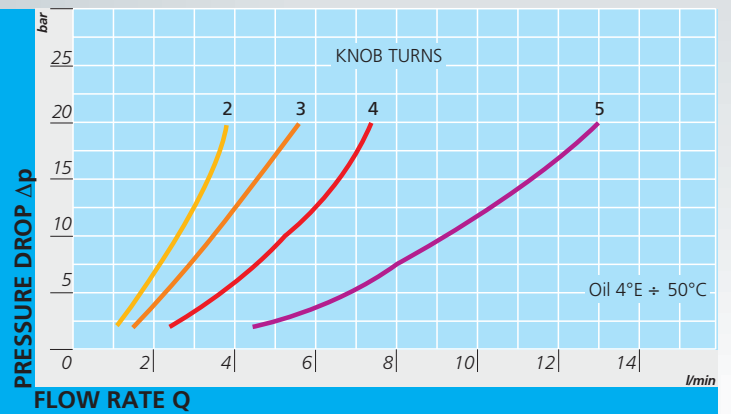
Type	Port section sq. mm	Max. working pressure bar	Working temperature °C	Filtration grade µm
18	7,07	350	-20° / +130°C	25
14	12,57	350	-20° / +130°C	25
38	19,64	350	-20° / +130°C	25
12	50,27	350	-20° / +130°C	25
34	78,54	350	-20° / +130°C	25



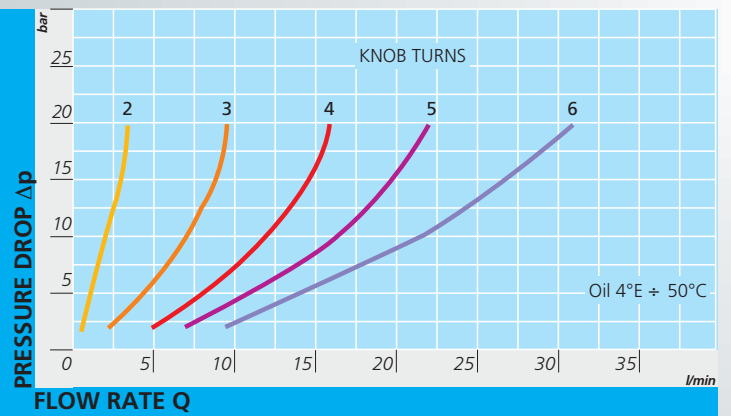
FT 2251/2-02-18



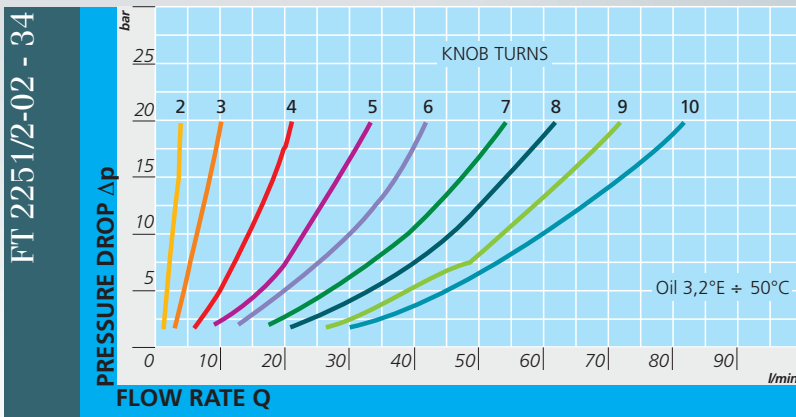
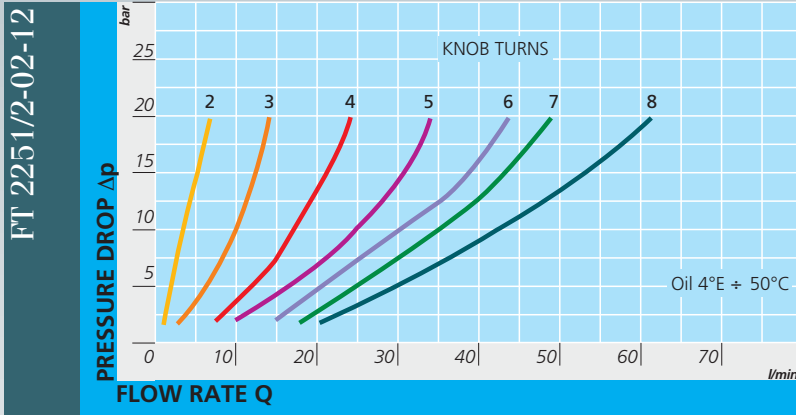
FT 2251/2-02-14



FT 2251/2-02-38



curves



FT2257/2



Findynamica
drive and control products

DOUBLE-ACTING SHUT-OFF VALVES

They allow flow control in both directions. They are equipped with a needle so to obtain:

- metallic seal;
- flow linearity at the opening;
- accurate control for a wide range of flow rate.

A double reference system made up of a decimal scale on the handle and of a keyed metal ring with graduated fractional scale and divided into sectors allows the identification of flow conditions. A locking screw in the handle ensures stable flow values preventing accidental adjustments or movements due to vibrations. A ring nut (G) is used to carry out the panel mounting, on request.



On request

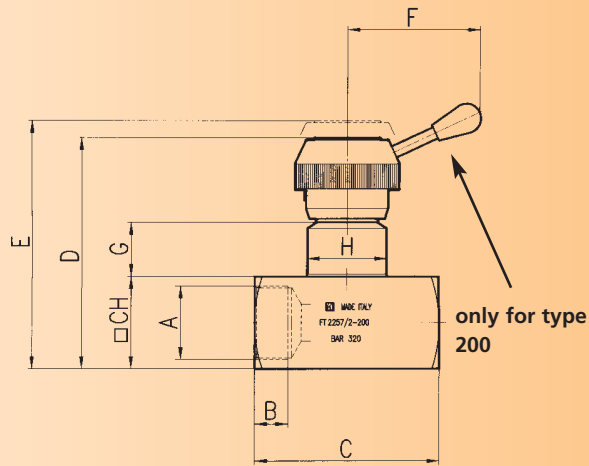
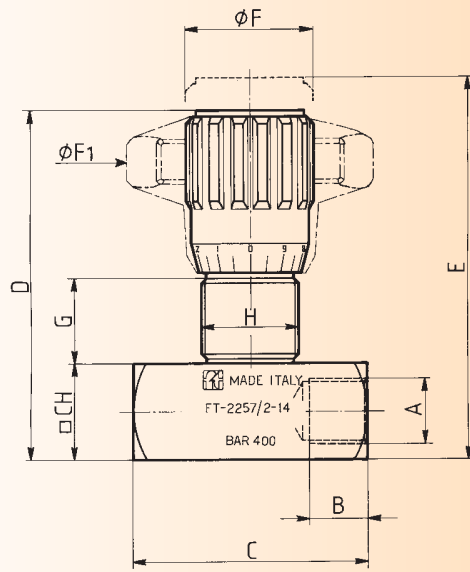
- NPT Threads
- Equipped with ring nuts (G)
- Knob in ABS (mp)

materials

Body	AISI 316 stainless steel
Needle	AISI 316 stainless steel
OR	Viton
Antiextrusion ring	PTFE
Handwheel	GD - Al Si 12 - UNI 5706
Handwheel (mp)	ABS

example for ordering

Code	Type	Panel ring	Viton seal	Plastic handwheel
FT 2257/2	12	G	-	mp



dimensions

Type	A UNI 338	B	C	D	E	ØF	ØF1	G	H	CH	Weight kg
18	1/8"G	8,5	38	59	64	22	40	13,5	M17x1	16	0,110
14	1/4"G	12,5	49	71	78	27	50	17	M20x1	20	0,200
38	3/8"G	12,5	59	84	93	33	70	19,5	M25x1,5	25	0,375
12	1/2"G	15,5	68	97	107	38	80	21	M30x1,5	30	0,600
34	3/4"G	17	86	120,5	132,5	47	100	26,5	M40x1,5	40	1,250
100	1"G	20	105	151,5	167,5	58	120	35	M50x1,5	50	2,550
114	1 1/4"G	22	120	156,5	172,5	58	120	35	M50x1,5	55	3,000
112	1 1/2"G	24	134	167	181	58	120	35	M55x2	65	4,217
200	2"G	27	150	188	202	108	/	44	M65x2	75	7,300

technical data

Type	Port section sq. cm ²	Working pressure bar	Min. burst. pressure bar	Working temp. °C	Filtration grade µm
18	0,12	400	1600	-20° / +130 °C	25
14	0,19	400	1600	-20° / +130 °C	25
38	0,39	400	1600	-20° / +130 °C	25
12	0,68	400	1600	-20° / +130 °C	25
34	1,13	400	1600	-20° / +130 °C	25
100	2,09	320	1300	-20° / +130 °C	25
114	2,09	320	1300	-20° / +130 °C	25
112	3,14	320	1300	-20° / +130 °C	25
200	4,91	320	1300	-20° / +130 °C	25

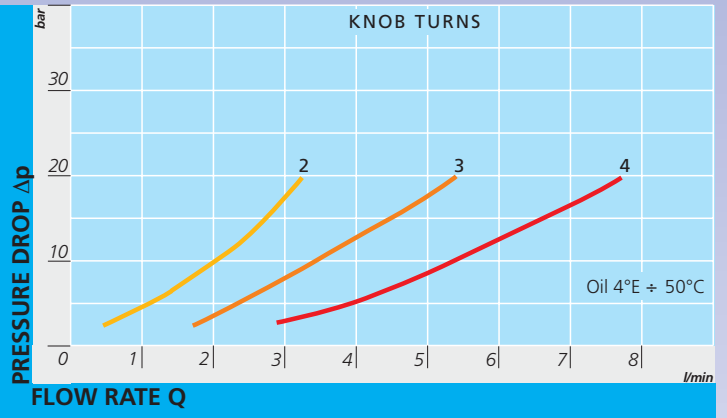


3

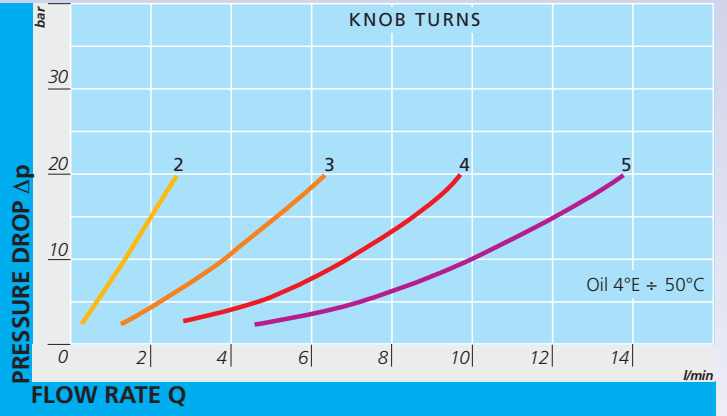




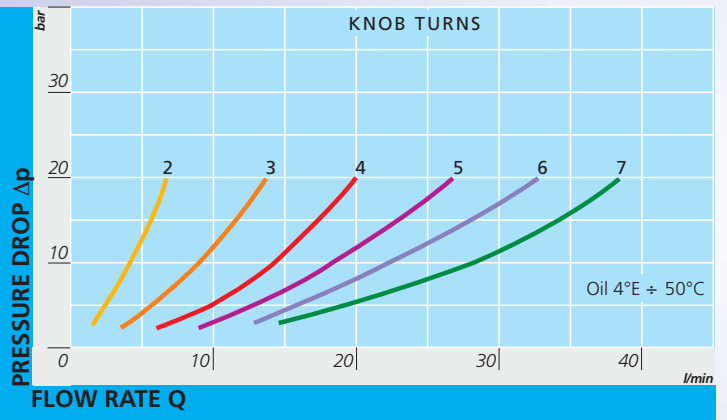
FT 2257/2 - 18



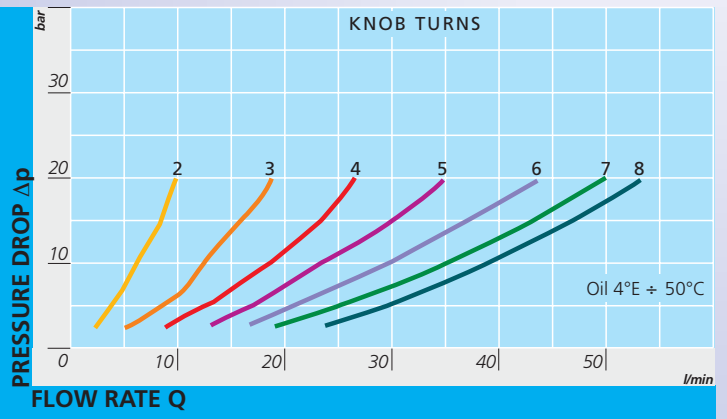
FT 2257/2 - 14



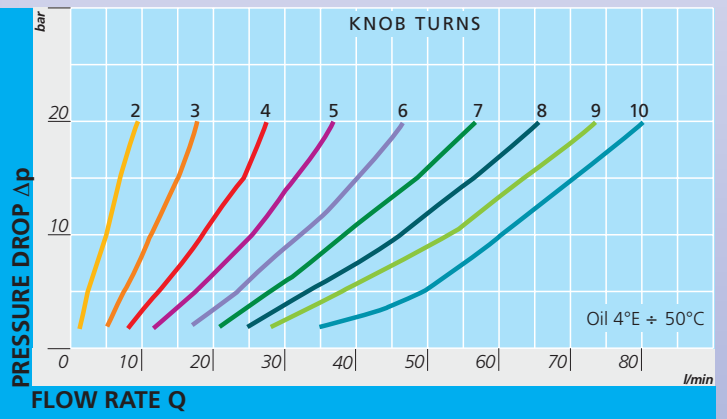
FT 2257/2 - 38

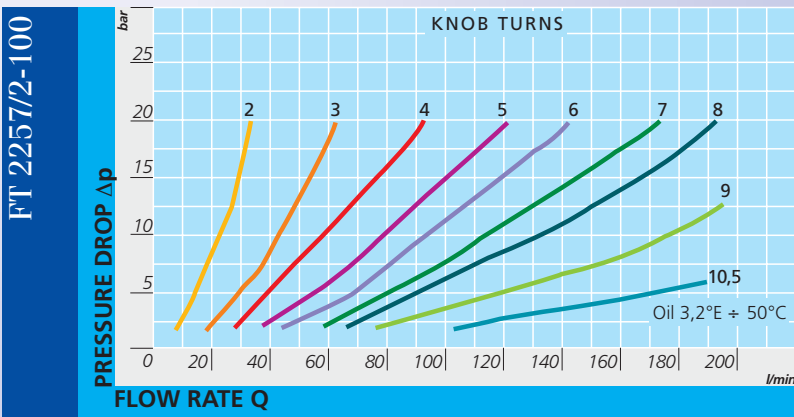
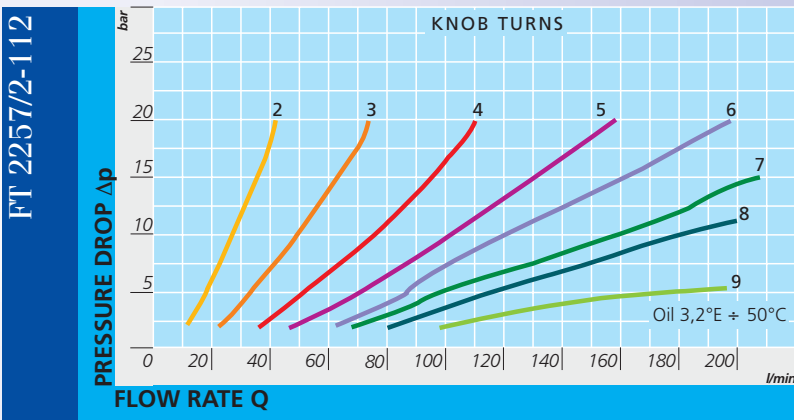
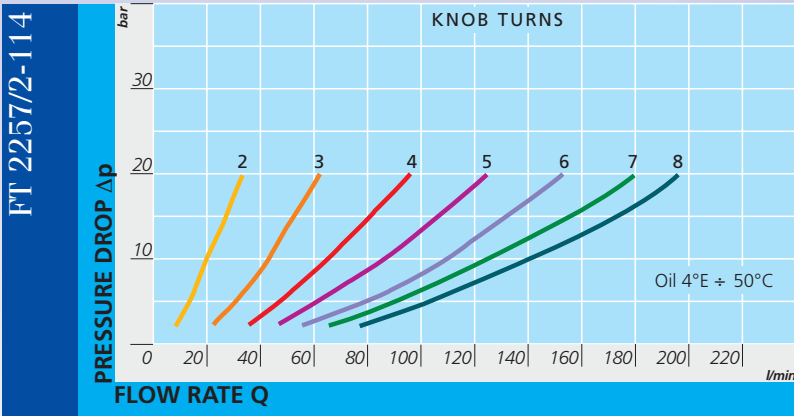
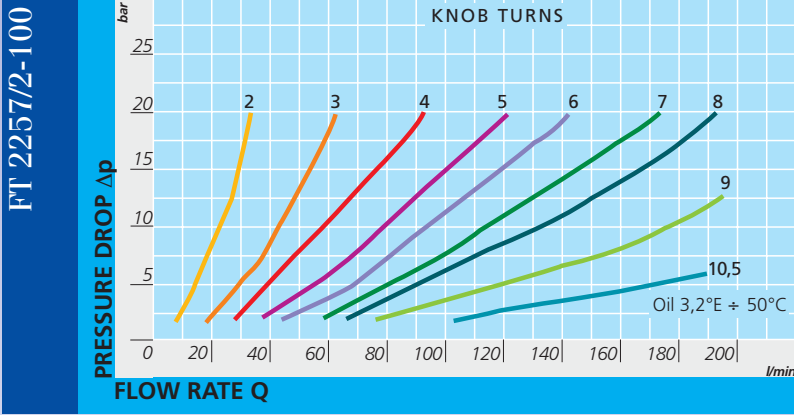


FT 2257/2 - 12



FT 2257/2 - 34







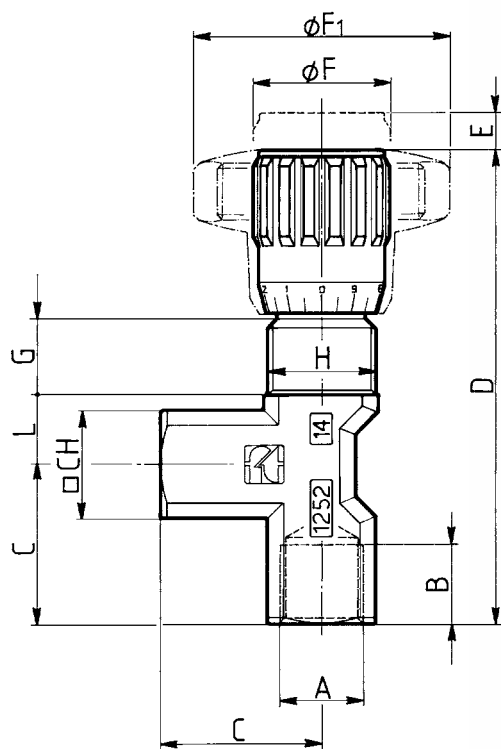
MATERIALS

BODY	OT 58 - UNI 5705 - NICKEL PLATED
NEEDLE	X 10 CR NI S 1809 - UNI 6900
OR	NITRILE
ANTIEXTRUSION RING	PTFE
KNOB	GD AL SI 12 - UNI EN AB 46100
KNOB (MP)	ABS

ESEMPIO PER L'ORDINAZIONE

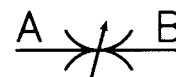
ACCESSORIES ON REQUEST

	CODE	TYPE	PANEL RING NUT	VITON SEAL	KNOB ABS
BRASS	FT 1252/2-01	38	G	V	MP
STAINLESS STEEL	FT 2252/2-01	38	G	-	MP



DIMENSIONS

TYPE	A UNI 338	B	C	D	E	ϕF	ϕF_1	G	H	L	$\square CH$	WEIGHT KG
18	1/8"G	8	21	69	4	22	40	12	M15x1	9,5	15	0,105
14	1/4"G	12	25	74	4,5	22	40	11	M17x1	11,5	18	0,136
38	3/8"G	13	29,5	88	7	27	50	12,5	M20x1	15	22	0,248
12	1/2"G	16	36	105	10	33	70	13	M25x1,5	19	27	0,454



DOUBLE-ACTING CONTROL VALVES 90° ANGLE FEMALE-FEMALE

They allow the regulation of flow in both directions.

Notable from an aesthetical point of view they are built with materials, which are suitable also for applications with fluids different from oil (such as: water, gas and liquids in general).

As an alternative to FT 257/2 (suitable up to 400 bar) where the working pressure does not exceed 210 bar and where ferrous materials cannot be used.

They have the same characteristics as the FT 257 series:

- accurate flow regulation;
- efficient metallic sealing;
- simple setting of flow rates;
- secure against accidental needle withdrawal;
- secure needle position with locking screw inserted in the knob;
- provision for panel mounting, for which special lock nut (G) is supplied on request.

For use with pressure up to 210 bar

On request

- Viton (V) seals
- NPT threads
- ABS (mp)Knob
- Complete with lock nut (G)
- Stainless Steel FT 2252/2-01



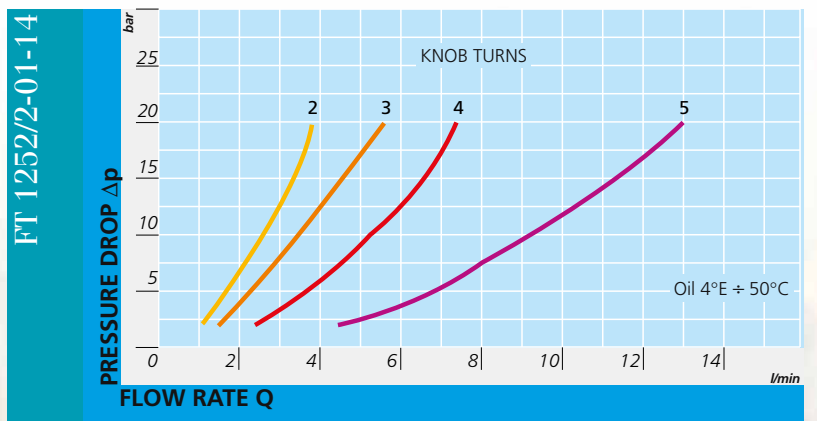
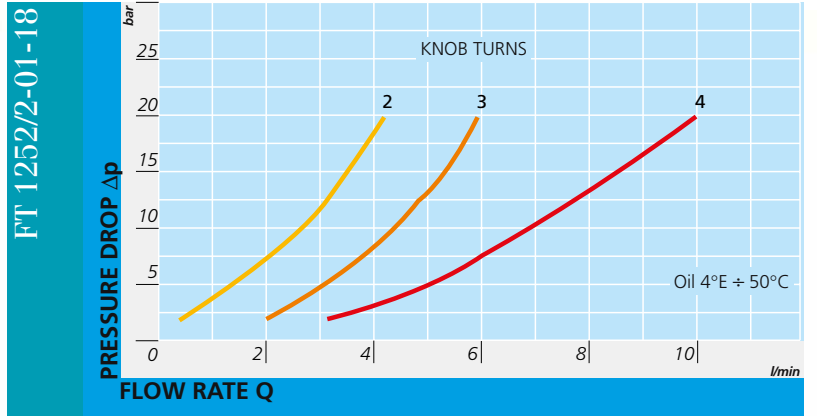
FT 1252/2-01

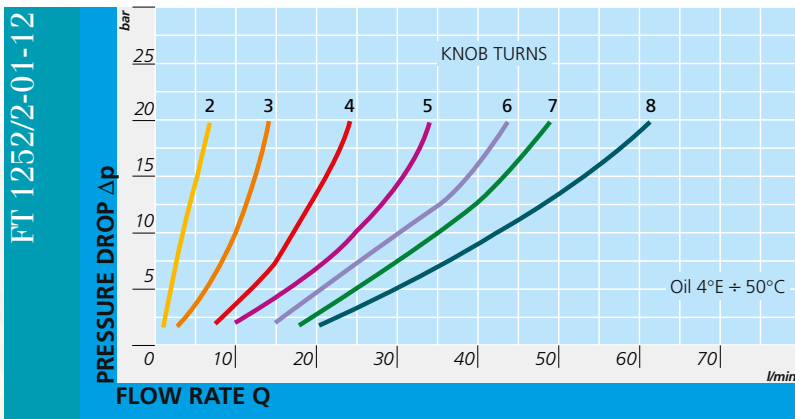
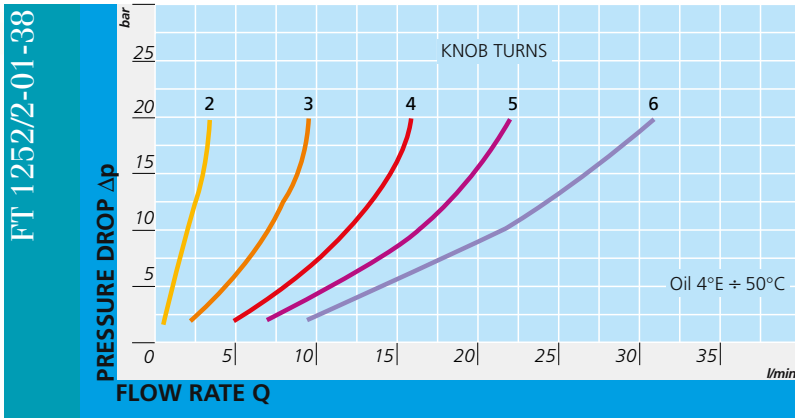
TECHNICAL DATA

TYPE	FLOW SQ MM ²	MAX WORKING PRESSURE BAR	WORKING TEMPERATURE °C	FILTRATION GRADE μM
18	7,07	210	-20°/+100°	25
14	12,57	210	-20°/+100°	25
38	19,64	210	-20°/+100°	25
12	50,27	210	-20°/+100°	25



FT 1252/2-01



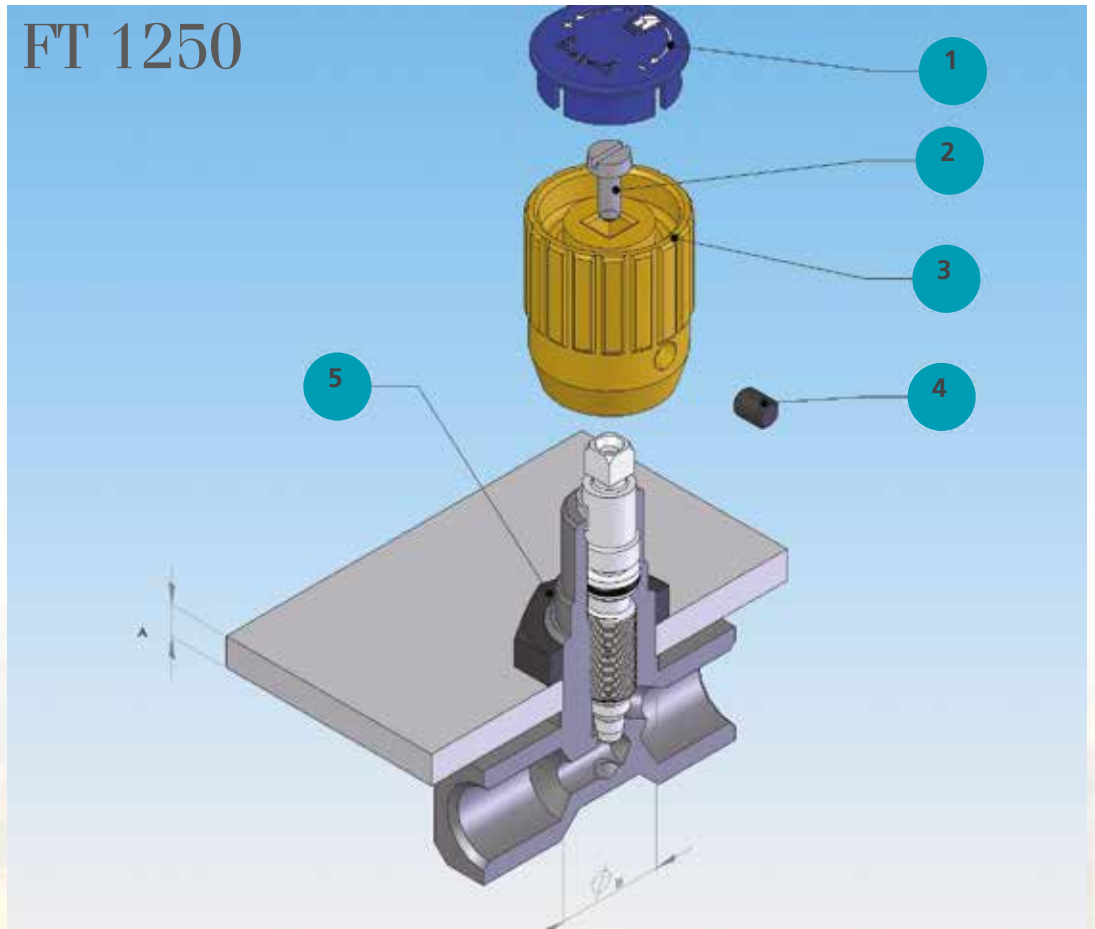


FT 1252/2-01



FT 1250

FT 1250



ASSEMBLY INSTRUCTION

1°	LOOSEN SCREW PRESSURE DOWEL (4)
2°	REMOVE PLUG (1)
3°	REMOVE SCREW (2)
4°	PULL OFF KNOB (3)
5°	INSERT RING NUT (5), ON REQUEST IT IS SUPPLIED WITH THE VALVE
(A)	MAX. THICKNESS
(B)	PANEL HOLE \varnothing

TYPE VALVE	THICKNESS PANEL A MAX	PANEL HOLE \varnothing B
18	5	16
14	5	18
38	5	21
12	6	26
34	6	31



SERIE FT 1250



FT 1252/2-02

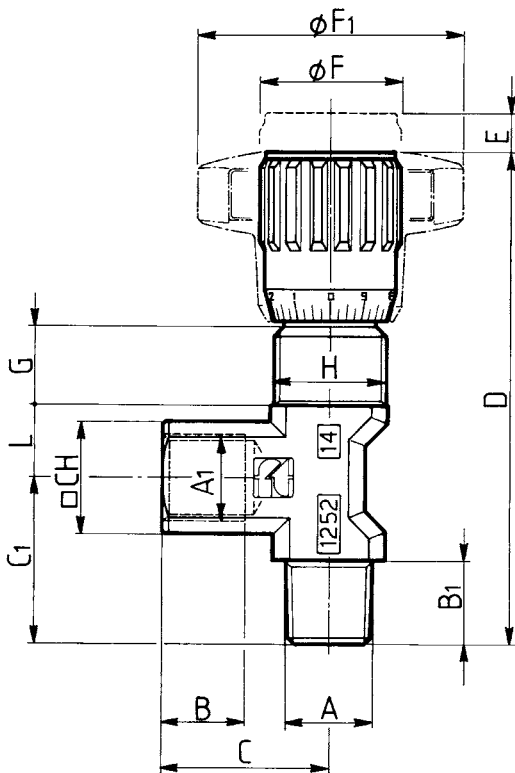


MATERIALS

BODY	OT 58 - UNI 5705 NICKEL PLATED
NEEDLE	X 10 CR NI S 1809 - UNI 6900
OR	NITRILE
ANTIEXTRUSION RING	PTFE
KNOB	GD AL SI 12 - UNI EN AB 46100
KNOB (MP)	ABS

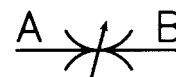
EXAMPLE FOR ORDERING

ACCESSORIES ON REQUEST					
	CODE	TYPE	PANEL RING NUT	VITON SEAL	KNOB ABS
BRASS	FT 1252/2-02	12	G	V	MP



DIMENSIONS

TYPE	A UNI 339	A1 UNI 338	B1	B	C	C1	D	E	ϕF	F1	G	H	L	□ CH	WEIGHT KG
18	1/8"GC	1/8"G	9	8	21	21	70	4	22	40	12	M15x1	9,5	15	0,102
14	1/4"GC	1/4"G	12	12	25	25	74	4,5	22	40	11	M17x1	11,5	18	0,132
38	3/8"GC	3/8"G	13	13	29,5	29,5	88	7	27	50	12,5	M20x1	15	22	0,245
12	1/2"GC	1/2"G	16	16	36	36	105	10	33	70	13	M25x1,5	19	27	0,440



DOUBLE-ACTING CONTROL VALVES 90° ANGLE MALE-FEMALE

They allow the regulation of flow in both directions.

Notable from an aesthetical point of view they are built with materials, which are suitable also for applications with fluids different from oil (such as: water, gas and liquids in general).

As an alternative to FT 257/2 (suitable up to 400 bar) where the working pressure does not exceed 210 bar and where ferrous materials cannot be used.

They have the same characteristics as the FT 257 series:

- accurate flow regulation;
- efficient metallic sealing;
- simple setting of flow rates;
- secure against accidental needle withdrawal;
- secure needle position with locking screw inserted in the knob;
- provision for panel mounting, for which special lock nut (G) is supplied on request.

For use with pressure up to 210 bar

On request

- Viton (V) seals
- NPT threads
- ABS (mp)Knob
- Complete with lock nut (G)
- Stainless steel FT 2252/2-02



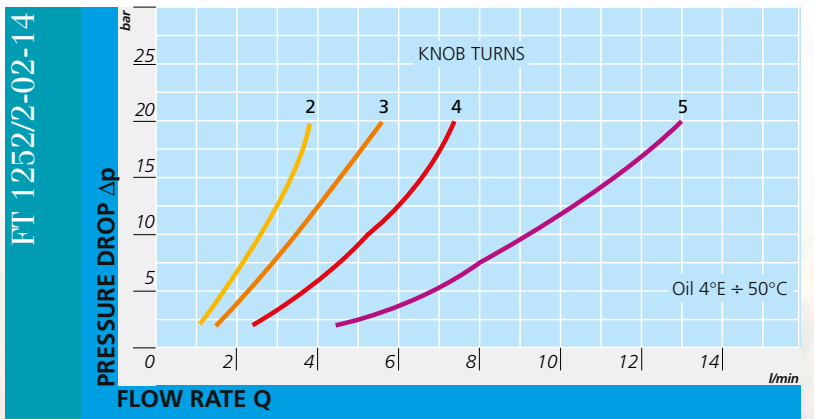
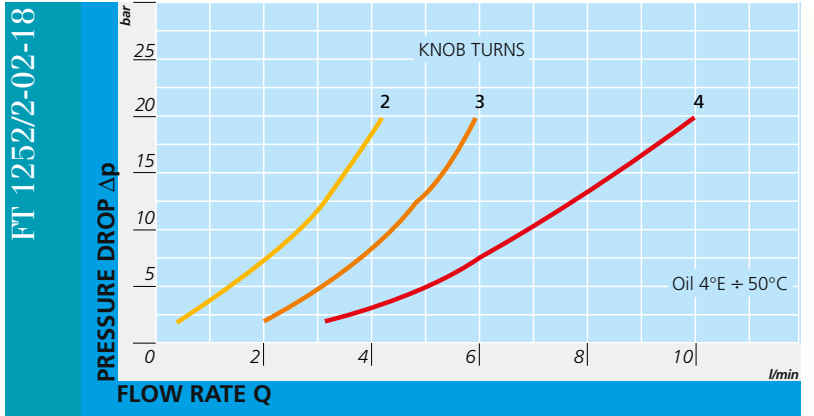
FT 1252/2-02

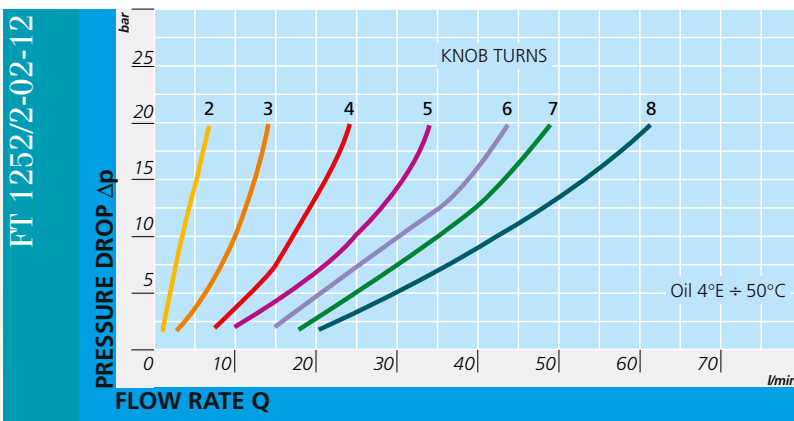
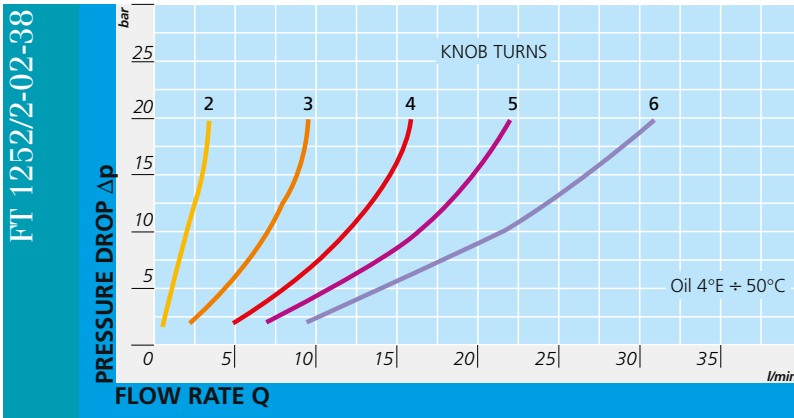
TECHNICAL DATA

TYPE	FLOW SQ MM ²	MAX WORKING PRESSURE BAR	WORKING TEMPERATURE °C	FILTRATION GRADE μM
18	7,07	210	-20°/+100°	25
14	12,57	210	-20°/+100°	25
38	19,64	210	-20°/+100°	25
12	50,27	210	-20°/+100°	25



FT 1252/2-02

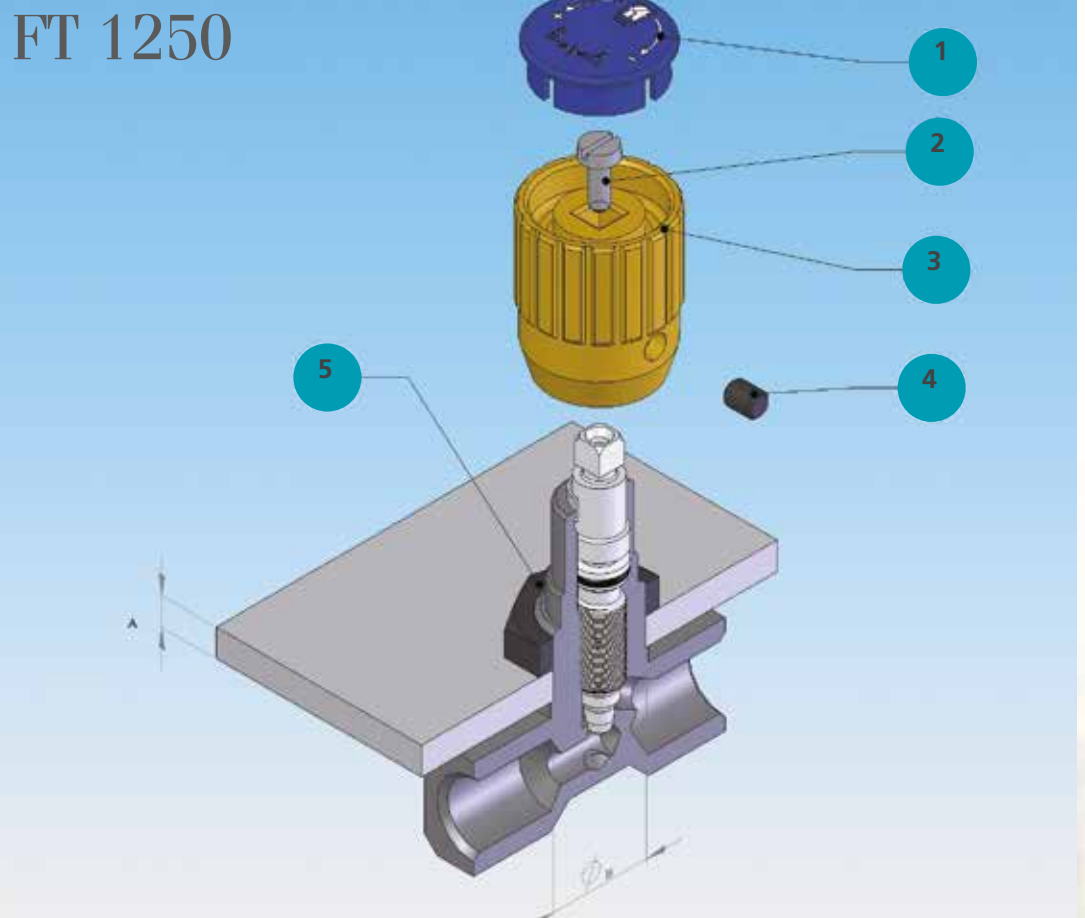




FT 1252/2-02



FT 1250



ASSEMBLY INSTRUCTION

1°	LOOSEN SCREW PRESSURE DOWEL (4)
2°	REMOVE PLUG (1)
3°	REMOVE SCREW (2)
4°	PULL OFF KNOB (3)
5°	INSERT RING NUT (5), ON REQUEST IT IS SUPPLIED WITH THE VALVE
(A)	MAX. THICKNESS
(B)	PANEL HOLE \varnothing

TYPE VALVE	THICKNESS PANEL A MAX	PANEL HOLE \varnothing B
18	5	16
14	5	18
38	5	21
12	6	26
34	6	31



SERIE FT 1250



FT 252/2

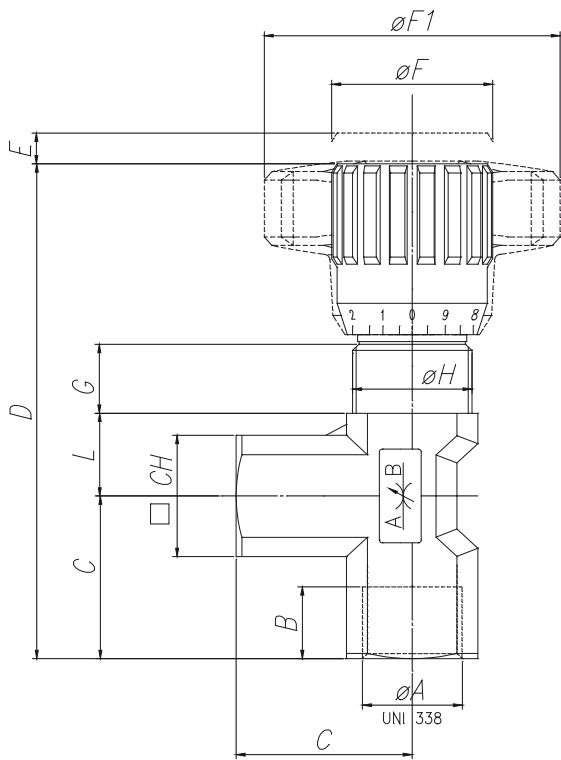


MATERIALS

BODY	11 S MN Pb 30 - UNI EN 10087
NEEDLE	1 C 40 - UNI 8373
OR	NITRILE
ANTIEXTRUSION RINGS	PTFE
KNOB	GD - AL SI 12 - UNI EN AB 46100
KNOB (MP)	ABS
KNOB (RA)	GD - AL SI 12 - UNI EN AB 46100

EXAMPLE FOR ORDERING

	CODE	TYPE	PANNEL RING NUT	VITON SEAL	KNOB IN PLASTIC
STEEL	FT 252/2		G	V	MP
STAINLESS STEEL	FT 2252/2	12	G	-	MP



DIMENSIONS

TYPE	A UNI 338	B	C	D	E	øF	øF1	G	øH	L	CH	WEIGHT KG
14	1/4" G	12	25	74,5	4,5	22	40	12	M17x1	11	18	0,125
38	3/8" G	13	29,5	88	7	27	50	11,5	M20x1	15	22	0,228
12	1/2" G	16	36	105	10	33	70	13	M25x1,5	19	27	0,418



90° ANGLE DOUBLE-ACTING SHUT-OFF CONTROL VALVES

They allow flow control in both directions.

They are equipped with a needle so to obtain:

- metallic seal;
- flow linearity at the opening;
- accurate control for a wide range of flow rate.

A double reference system made up of a decimal scale on the handle and of a keyed metal ring with graduated fractional scale and divided into sectors allows the identification of flow conditions. A locking screw in the handle ensure stable flow values preventing accidental adjustments or movements due to vibrations. A ring nut (G) is used to carry out the panel mounting, on request.

On request

- Versions AISI 316 code FT 2252/2
- Viton seals (V)
- NPT threads
- Equipped with ring nuts (G)
- Handlewheel in ABS (mp)
- Lobes aluminium die-cast handwheel (RA)



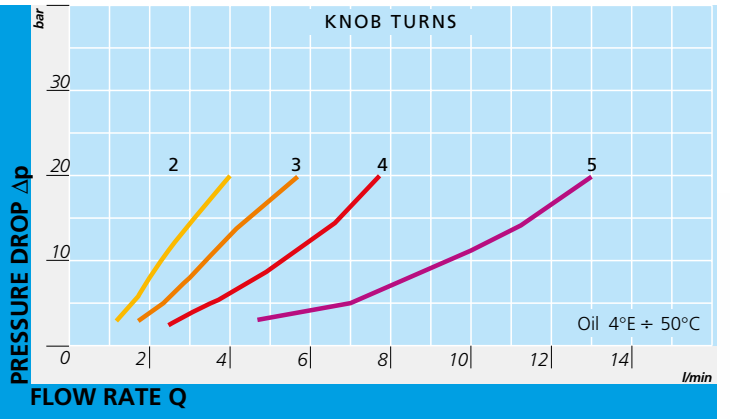
FT 252/2

TECHNICAL DATA

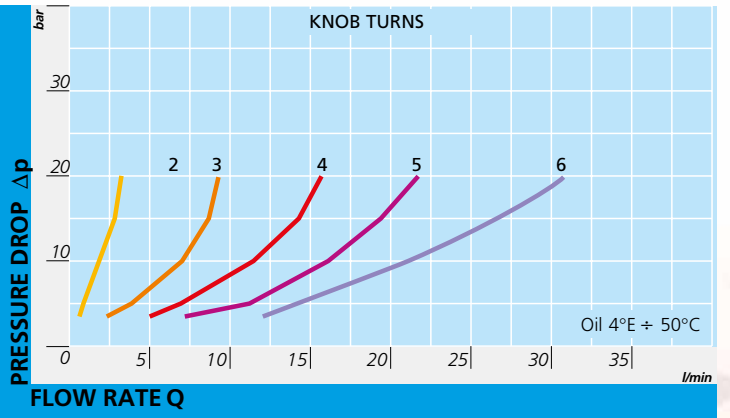
TYPE	FLOW SECTION CM ²	WORKING PRESSURE BAR	MIN. BURSTING PRESSURE BAR	WORKING TEMPERATURE	FILTRATION GRADE μM
14	12,57	350	1600	-20°/+100°	25
38	19,64	350	1600	-20°/+100°	25
12	50,27	350	1600	-20°/+100°	25



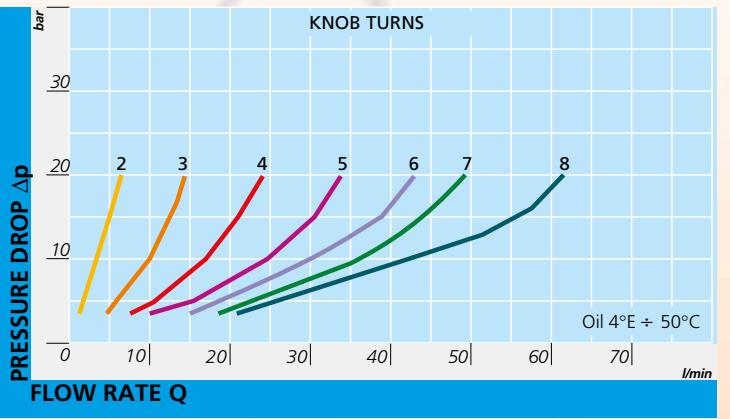
FT 252/2-14



FT 252/2-38

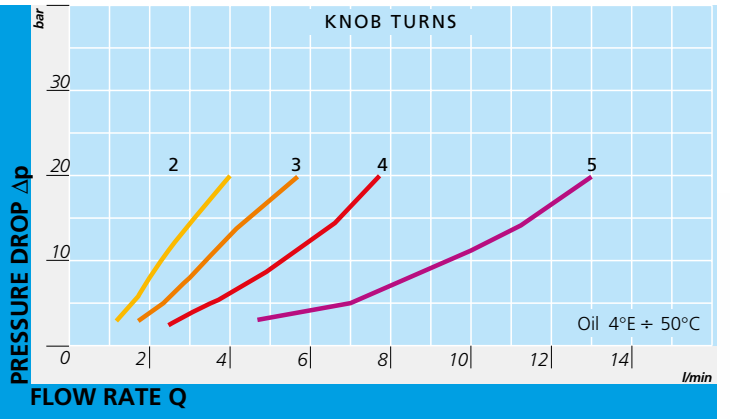


FT 252/2-12

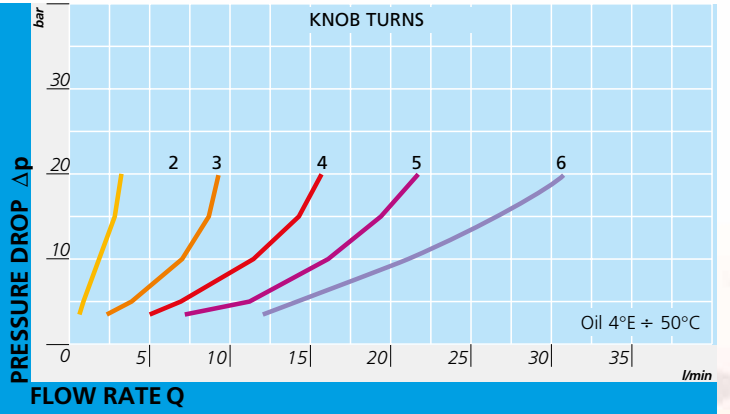




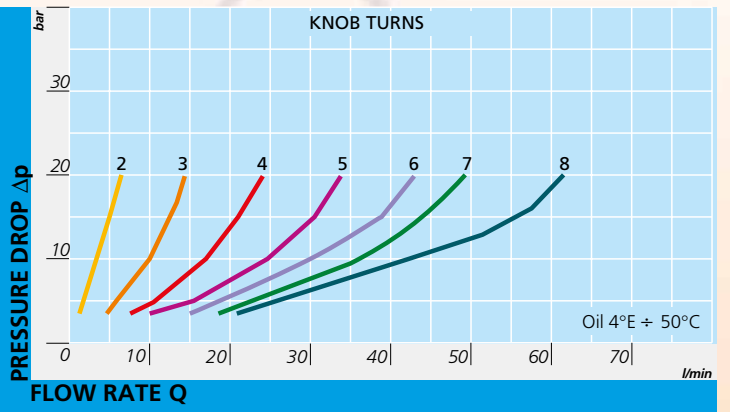
FT 252/2-14



FT 252/2-38



FT 252/2-12



PANEL MOUNTING INSTRUCTION



SERIE FT 257 - FT 252

PANEL MOUNTING

1°	UNSCREW LOCK SCREW (4)
2°	REMOVE COVER PLATE (1)
3°	UNSCREW SCREW (2)
4°	PULL OFF HANDLE (3)
5°	INSERT RING NUT (5), ON REQUEST IT IS SUPPLIED WITH THE VALVE

FT 257

TYPE VALVE	PANEL THICKNESS A MAX	BORE FOR PANEL MOUNTING $\varnothing B$
18	6	18
14	8	21
38	10	26
12	10	31
34	10	41
100	10	51
114	10	51
112	12	56
200	12	66

FT 252

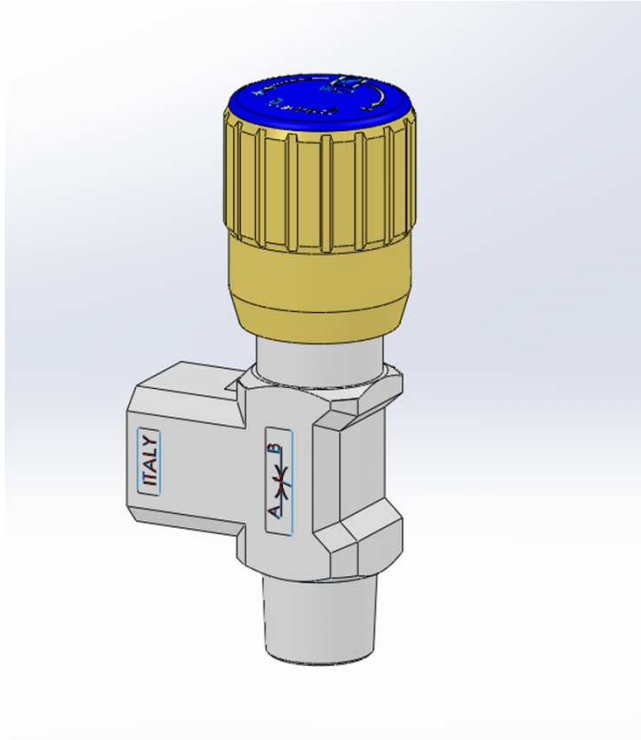
TYPE VALVE	PANEL THICKNESS A MAX	BORE FOR PANEL MOUNTING $\varnothing B$
14	5	18
38	5	21
12	5	26

F.LLI TOGNETTA S.P.A.

PNEUMATIC AND HYDRAULIC COMPONENTS

FLOW CONTROL VALVE FT 2252/2-02

90° DOUBLE-ACTING FLOW RATE CONTROL VALVE



Characteristics

TYPE	FLOW SECTION	WORKING PRESSURE	BURSTING PRESSURE	WORKING TEMPERATURE	FILTRATION
14	12.57 mm ²	350 bar	1600 bar	-20/+100°C	25 Microns
38	19.64 mm ²	350 bar	1600 bar	-20/+100°C	25 Microns
12	50.27 mm ²	350 bar	1600 bar	-20/+100°C	25 Microns

Description

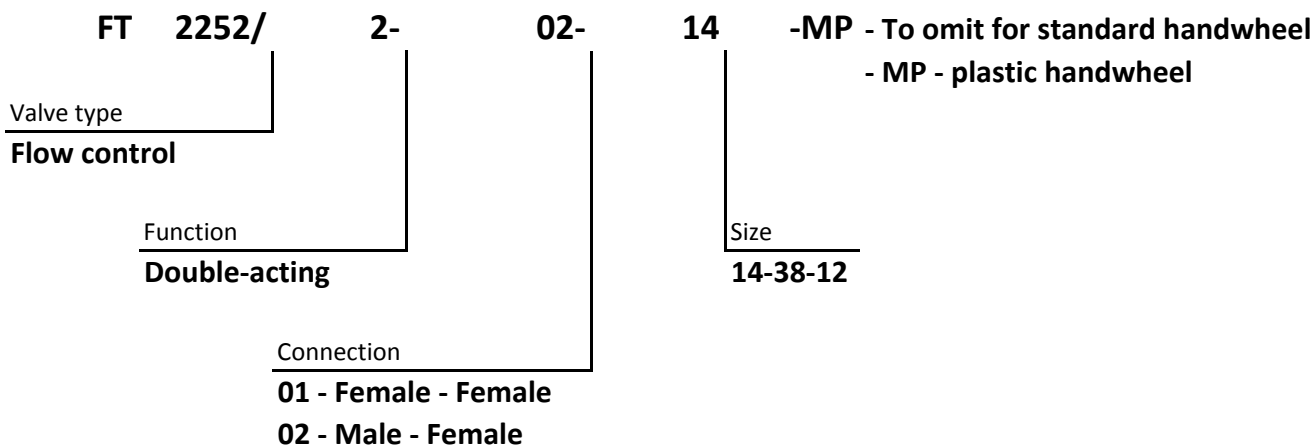
Double-acting flow rate control valve. Its realization allows a precise metallic sealing, linearity of fluid in the port, accurate check for a large flow rate range, suitable for panel mounting by a proper nut on request.



F.LLI TOGNETTA S.P.A.

PNEUMATIC AND HYDRAULIC COMPONENTS

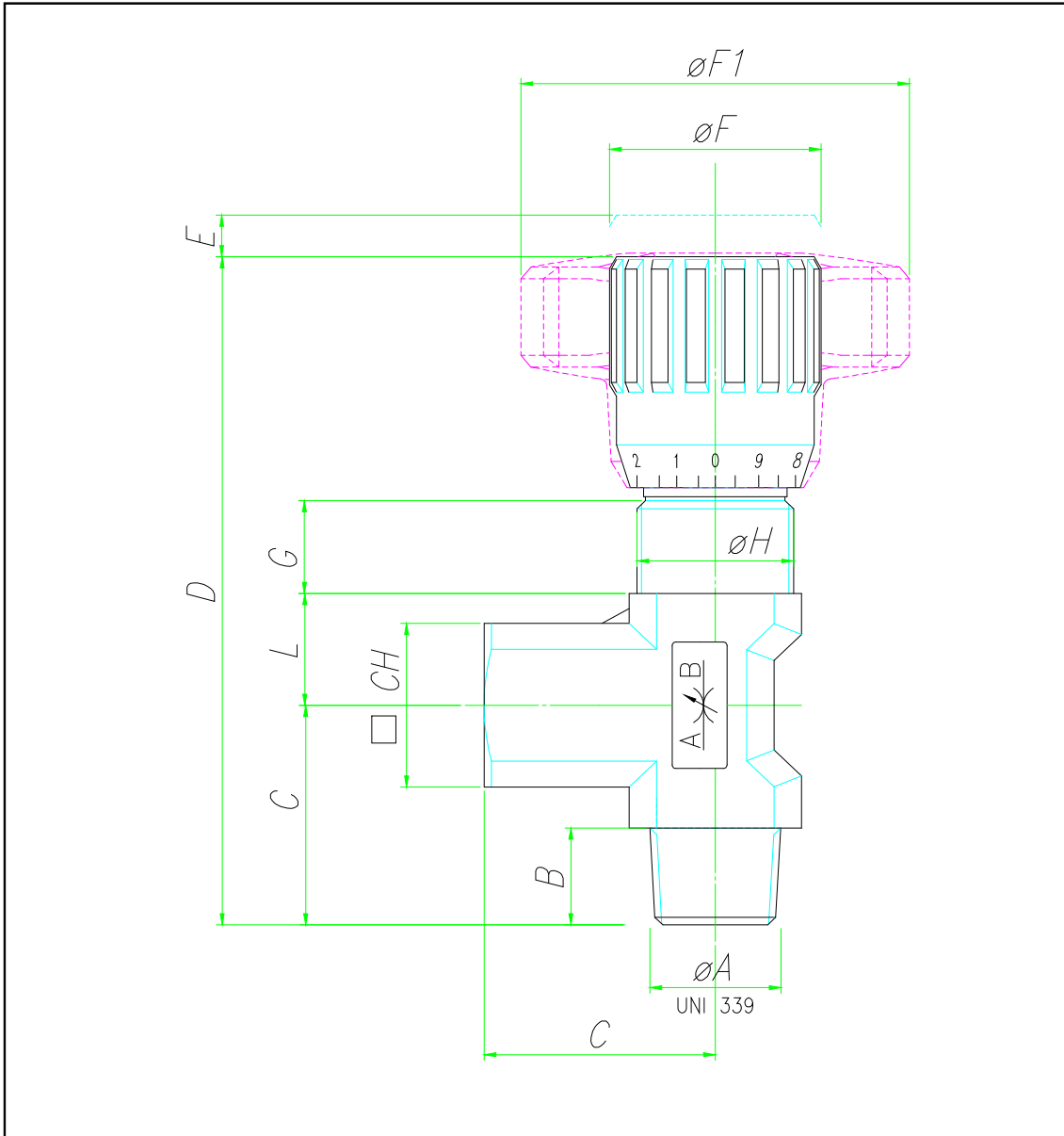
ORDER CODES



TECHNICAL DATA

Flow rate and pressure drop depending on handwheel turns	See graphics	
Assembly position	In line or panel mounting	
Max. working pressure	bar	350
Recommended viscosity	cSt	10-220
Fluid temperature	°C	.-20 / + 100
Handwheel handling at max. pressure	N/m	5
Fluid contamination class	ISO 19/16 - filtri 25 µm e β25 ≥ 75 (recommended)	
Seals	Standard FPM	
Materials		
Body valve	Stainless steel 316	
Needle regulation group	Stainless steel 316	
Regulation handwheel	Aluminium GD AISi 12 or Plastic	
Surface protection	Chemical polishing	

90° DOUBLE-ACTING FLOW RATE CONTROL VALVE



	ϕA	B	C	D	E	ϕF	$\phi F1$	G	ϕH	L	CH	KG
14	1/4"G	12	25	74,5	4,5	22	40	12	M17 x 1	11	18	0,125
38	3/8"G	13	29,5	88	7	27	50	11,5	M20 x 1	15	22	0,228
12	1/2"G	16	36	105	10	33	70	13	M25 x 1,5	19	27	0,418



F.LLI TOGNELLA S.P.A.

PNEUMATIC AND HYDRAULIC COMPONENTS

GRAPHICS

