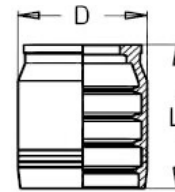


Persslangkoppelingen type HS 4SP 4SH R12 R13 R15



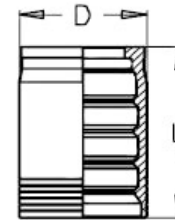
Pershulsen type HS non skive

Bestelnummer	slang diameter	non skive toepasbaar op slangtype				
		4SP	4SH	R12	R13	R15
HSH412	3/4"	4SP	4SH	R12	R13	R15
HSH416	1"	4SP	4SH	R12	R13	R15
HSH420	1 1/4"	-	4SH	R12	-	-
HSH424	1 1/2"	-	4SH	R12	-	-



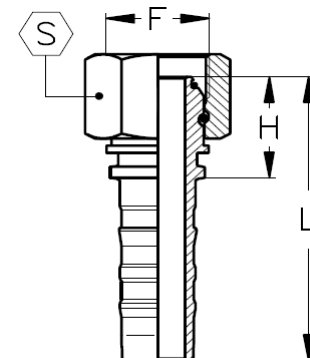
Pershulsen type HSS buiten schillen

Bestelnummer	slang diameter	toepasbaar op slangtype				
		4SP	-	-	R13	R15
HSS620	1 1/4"	4SP	-	-	R13	R15
HSS624	1 1/2"	4SP	-	-	R13	R15



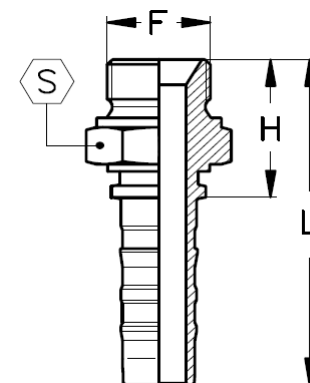
BSP wartel persslangkoppeling 60° conus

Bestelnummer	F draad	slang diameter	afmetingen (mm)			max werkdruk
			H	L	S	
HS12BF-12	3/4"	3/4"	29	80	32	420 bar
HS16BF-12	1"	3/4"	32	83	41	420 bar
HS16BF-16	1"	1"	34	90	41	420 bar
HS20BF-16	1 1/4"	1"	37	93	50	345 bar
HS20BF-20	1 1/4"	1 1/4"	39	106	50	345 bar
HS24BF-20	1 1/2"	1 1/4"	41	107	60	345 bar
HS24BF-24	1 1/2"	1 1/2"	43	125	60	345 bar



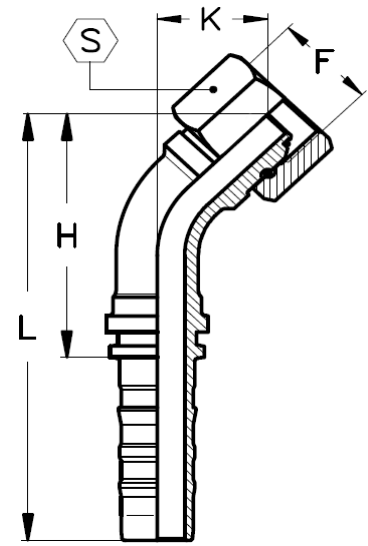
BSP buitendraad persslangkoppeling 60° conus

Bestelnummer	F draad	slang diameter	afmetingen (mm)			max werkdruk
			H	L	S	
HS12BM-12	3/4"	3/4"	38	89	32	420 bar
HS16BM-12	1"	3/4"	43	94	41	420 bar
HS16BM-16	1"	1"	45	101	41	420 bar
HS20BM-16	1 1/4"	1"	48	104	50	345 bar
HS20BM-20	1 1/4"	1 1/4"	50	117	50	345 bar
HS24BM-20	1 1/2"	1 1/4"	53	120	55	345 bar
HS24BM-24	1 1/2"	1 1/2"	55	138	55	345 bar



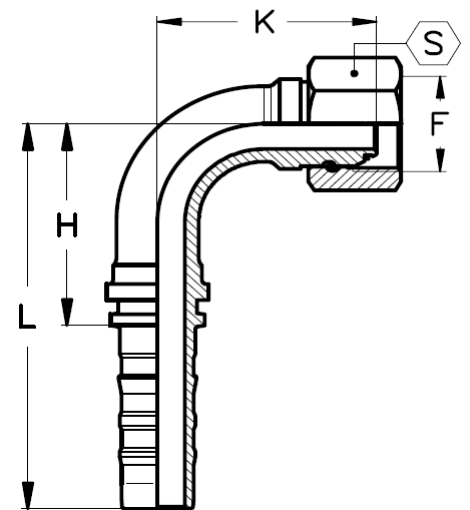
BSP wartel 45° persslangkoppeling 60° conus

Bestelnummer	F draad	slang diameter	afmetingen (mm)				max werkdruk
			H	L	K	S	
HS12B45-12	3/4"	3/4"	67	118	29	32	420 bar
HS16B45-12	1"	3/4"	67	118	29	41	420 bar
HS16B45-16	1"	1"	86	142	36	41	420 bar
HS20B45-16	1 1/4"	1"	86	142	36	50	345 bar
HS20B45-20	1 1/4"	1 1/4"	103	169	43	50	345 bar
HS24B45-20	1 1/2"	1 1/4"	103	169	43	60	345 bar
HS24B45-24	1 1/2"	1 1/2"	123	206	51	60	345 bar



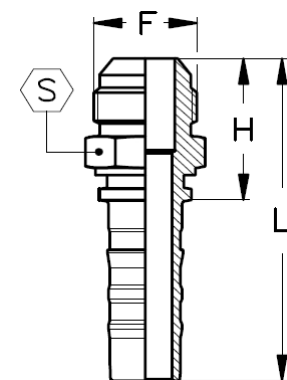
BSP wartel 90° persslangkoppeling 60° conus

Bestelnummer	F draad	slang diameter	afmetingen (mm)				max werkdruk
			H	L	K	S	
HS12B90-12	3/4"	3/4"	55	106	57	32	420 bar
HS16B90-12	1"	3/4"	55	106	57	41	420 bar
HS16B90-16	1"	1"	71	128	72	41	420 bar
HS20B90-16	1 1/4"	1"	71	128	72	50	345 bar
HS20B90-20	1 1/4"	1 1/4"	87	154	88	50	345 bar
HS24B90-20	1 1/2"	1 1/4"	87	154	88	60	345 bar
HS24B90-24	1 1/2"	1 1/2"	105	188	104	60	345 bar



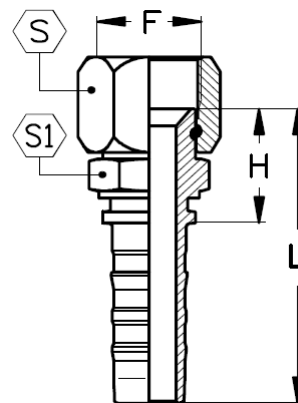
JIC buitendraad persslangkoppeling 74° conus

Bestelnummer	F draad	slang diameter	afmetingen (mm)			max werkdruk
			H	L	S	
HS17JM-12	1 1/16"	3/4"	40	91	27	420 bar
HS19JM-12	1 3/16"	3/4"	41,5	92,5	32	420 bar
HS21JM-12	1 5/16"	3/4"	43	94	36	380 bar
HS21JM-16	1 5/16"	1"	45	101,5	36	380 bar
HS26JM-16	1 5/8"	1"	48	104,5	46	325 bar
HS26JM-20	1 5/8"	1 1/4"	50,5	117	46	325 bar
HS30JM-24	1 7/8"	1 1/2"	57	139,5	50	290 bar



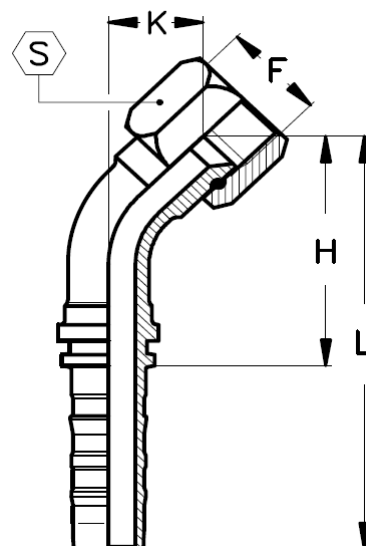
JIC wartel persslangkoppeling 74° conus

Bestelnummer	F draad	slang diameter	afmetingen (mm)				max werkdruk
			H	L	S	S1	
HS17JF-12	1 1/16"	3/4"	34	85	32	27	420 bar
HS21JF-12	1 5/16"	3/4"	38	89	41	32	380 bar
HS21JF-16	1 5/16"	1"	39,5	96	41	32	380 bar
HS26JF-16	1 5/8"	1"	46	102,5	50	41	325 bar
HS26JF-20	1 5/8"	1 1/4"	48	114,5	50	41	325 bar
HS30JF-20	1 7/8"	1 1/4"	51	117,5	60	46	290 bar
HS30JF-24	1 7/8"	1 1/2"	53	135,5	60	46	290 bar



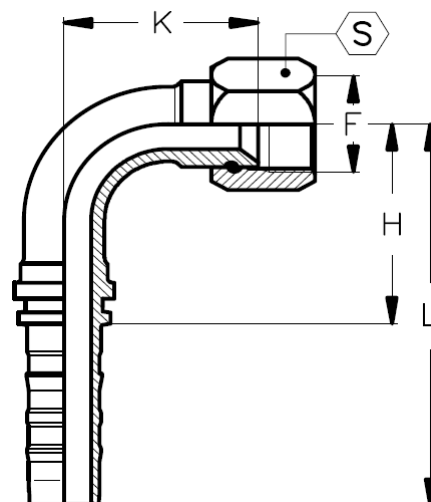
JIC wartel 45° persslangkoppeling 74° conus

Bestelnummer	F draad	slang diameter	afmetingen (mm)				max werkdruk
			H	L	K	S	
HS17J45-12	1 1/16"	3/4"	63	114	25	32	420 bar
HS21J45-12	1 5/16"	3/4"	63	114	25	41	380 bar
HS21J45-16	1 5/16"	1"	82	138	32	41	380 bar
HS26J45-16	1 5/8"	1"	82	138	32	50	325 bar
HS26J45-20	1 5/8"	1 1/4"	98	164	38	50	325 bar
HS30J45-24	1 7/8"	1 1/2"	118	201	46	60	290 bar



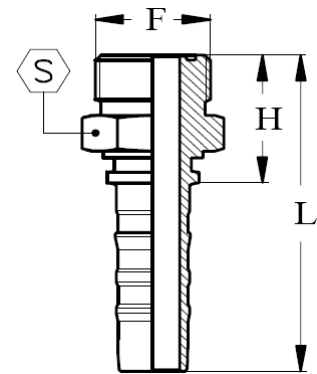
JIC wartel 90° persslangkoppeling 74° conus

Bestelnummer	F draad	slang diameter	afmetingen (mm)				max werkdruk
			H	L	K	S	
HS17J90-12	1 1/16"	3/4"	55	106	52	32	420 bar
HS21J90-12	1 5/16"	3/4"	55	106	52	41	380 bar
HS21J90-16	1 5/16"	1"	71	128	67	41	380 bar
HS26J90-16	1 5/8"	1"	71	128	67	50	325 bar
HS26J90-20	1 5/8"	1 1/4"	87	154	81	50	325 bar
HS30J90-20	1 7/8"	1 1/4"	87	154	81	60	290 bar
HS30J90-24	1 7/8"	1 1/2"	105	188	97	60	290 bar



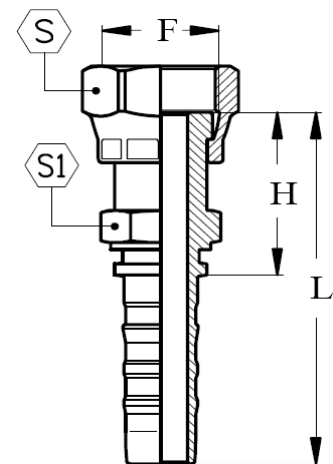
ORFS buitendraad persslangkoppeling

Bestelnummer	F draad	slang diameter	afmetingen (mm)			max werkdruk
			H	L	S	
HS19ORMS-12	1 3/16"	3/4"	36	87	32	420 bar
HS23ORMS-16	1 7/16"	1"	41	97	41	420 bar
HS27ORMS-20	1 11/16"	1 1/4"	44	111	46	350 bar
HS32ORMS-24	2"	1 1/2"	48	131	55	290 bar



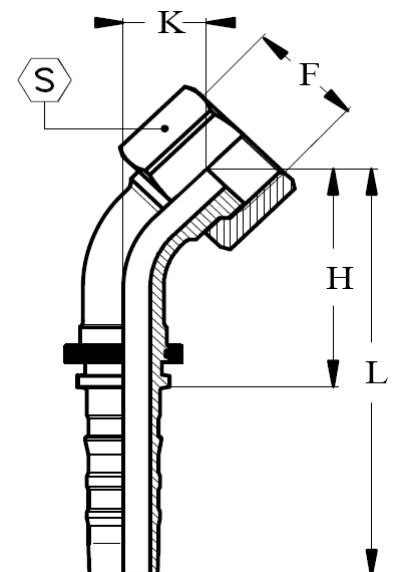
ORFS wartel persslangkoppeling

Bestelnummer	F draad	slang diameter	afmetingen (mm)				max werkdruk
			H	L	S	S1	
HS19ORFS-12	1 3/16"	3/4"	46	97	36	30	420 bar
HS23ORFS-12	1 7/16"	3/4"	49	100	41	36	420 bar
HS23ORFS-16	1 7/16"	1"	51	107	41	36	420 bar
HS27ORFS-16	1 11/16"	1"	52	109	50	41	350 bar
HS27ORFS-20	1 11/16"	1 1/4"	55	121	50	41	350 bar
HS32ORFS-24	2"	1 1/2"	60	142	60	50	290 bar



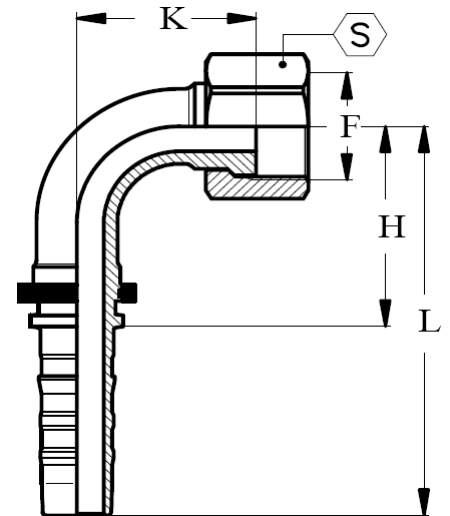
ORFS wartel persslangkoppeling 45°

Bestelnummer	F draad	slang diameter	afmetingen (mm)				max werkdruk
			H	L	K	S	
HS19ORFS45-12	1 3/16"	3/4"	60	111	22	36	420 bar
HS23ORFS45-16	1 7/16"	1"	78	134	29	41	420 bar
HS27ORFS45-20	1 11/16"	1 1/4"	93	159	34	50	350 bar
HS32ORFS45-24	2"	1 1/2"	113	195	41	60	290 bar



ORFS wartel persslangkoppeling 90°

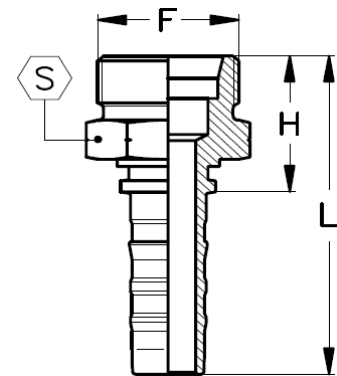
Bestelnummer	F draad	slang diameter	afmetingen (mm)				max werkdruk
			H	L	K	S	
HS19ORFS90-12	1 3/16"	3/4"	54	105	48	36	420 bar
HS23ORFS90-16	1 7/16"	1"	71	127	62	41	420 bar
HS27ORFS90-20	1 11/16"	1 1/4"	87	153	75	50	350 bar
HS32ORFS90-24	2"	1 1/2"	105	187	90	60	290 bar



Metrische persslangkoppeling met buitendraad

geschikt voor snijringmontage 24° conus dichting volgens DIN2353 serie-S

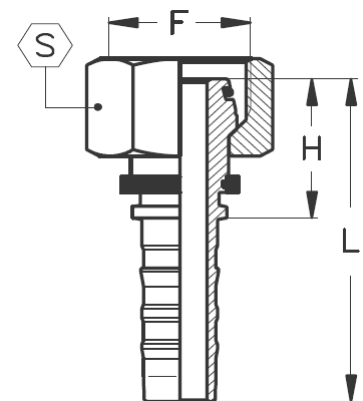
Bestelnummer	F draad	pijp-maat	slang diameter	afmetingen (mm)			max werkdruk
				H	L	S	
HS30ME-20S-12	M30x2	20S	3/4"	34	85	30	420 bar
HS36ME-25S-12	M36x2	25S	3/4"	38	89	36	420 bar
HS36ME-25S-16	M36x2	25S	1"	40	97	36	380 bar
HS42ME-30S-16	M42x2	30S	1"	44	101	46	280 bar
HS42ME-30S-20	M42x2	30S	1 1/4"	47	113	46	250 bar
HS52ME-38S-20	M52x2	38S	1 1/4"	51	117	55	250 bar
HS52ME-38S-24	M52x2	38S	1 1/2"	53	135	55	250 bar



Metrische persslangkoppeling met wartel

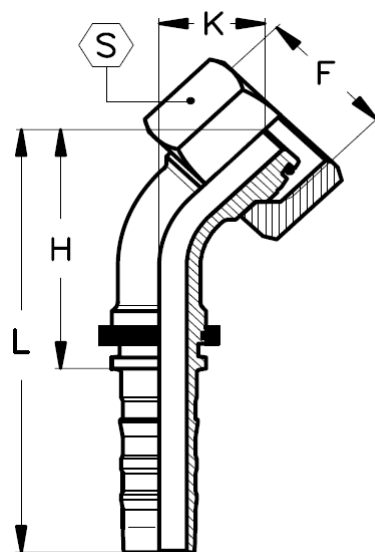
dichting volgens DIN2353 serie-S

Bestelnummer	F draad	pijp-maat	slang diameter	afmetingen (mm)			max werkdruk
				H	L	S	
HS30EF-20S-12	M30x2	20S	3/4"	37	88	36	420 bar
HS36EF-25S-12	M36x2	25S	3/4"	39	90	46	420 bar
HS36EF-25S-16	M36x2	25S	1"	41	97	46	380 bar
HS42EF-30S-16	M42x2	30S	1"	42	98	50	280 bar
HS42EF-30S-20	M42x2	30S	1 1/4"	43	109	50	250 bar
HS52EF-38S-20	M52x2	38S	1 1/4"	48	115	60	250 bar
HS52EF-38S-24	M52x2	38S	1 1/2"	51	133	60	250 bar



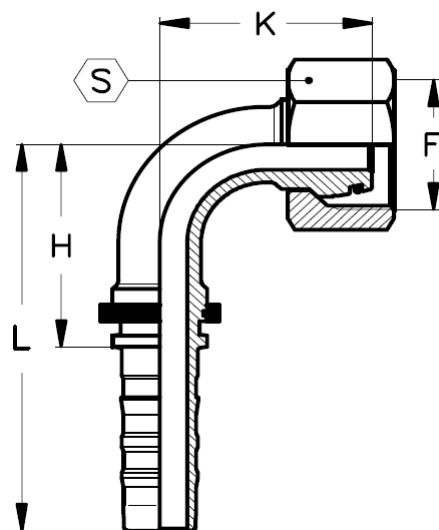
Metrische persslangkoppeling met wartel 45°
dichting volgens DIN2353 serie-S

Bestelnummer	F draad	pijp-maat	slang diameter	afmetingen (mm)				max werkdruk
				H	L	K	S	
HS30E45-20S-12	M30x2	20S	3/4"	65	116	27	36	420 bar
HS36E45-25S-12	M36x2	25S	3/4"	66	117	28	46	420 bar
HS36E45-25S-16	M36x2	25S	1"	83	140	34	46	380 bar
HS42E45-30S-16	M42x2	30S	1"	82	138	32	50	280 bar
HS42E45-30S-20	M42x2	30S	1 1/4"	100	166	40	50	250 bar
HS52E45-38S-20	M52x2	38S	1 1/4"	97	164	38	60	250 bar
HS52E45-38S-24	M52x2	38S	1 1/2"	121	203	48	60	250 bar



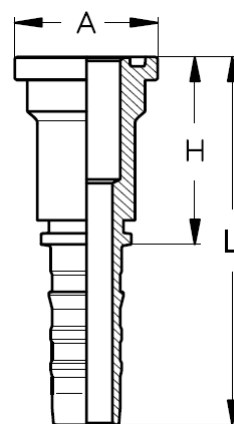
Metrische persslangkoppeling met wartel 90°
dichting volgens DIN2353 serie-S

Bestelnummer	F draad	pijp-maat	slang diameter	afmetingen (mm)				max werkdruk
				H	L	K	S	
HS30E90-20S-12	M30x2	20S	3/4"	55	106	55	36	420 bar
HS36E90-25S-12	M36x2	25S	3/4"	55	106	55	46	420 bar
HS36E90-25S-16	M36x2	25S	1"	71	128	69	46	380 bar
HS42E90-30S-16	M42x2	30S	1"	71	128	67	50	280 bar
HS42E90-30S-20	M42x2	30S	1 1/4"	87	154	83	50	250 bar
HS52E90-38S-20	M52x2	38S	1 1/4"	87	154	80	60	250 bar
HS52E90-38S-24	M52x2	38S	1 1/2"	105	188	100	60	250 bar



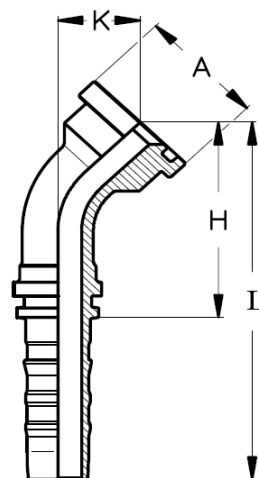
Persslangkoppeling SAE flens serie-L

Bestelnummer	flens	slang diameter	afmetingen (mm)			max werkdruk	
			H	L	A	bar	PSI
HS12X3-12	3/4"	3/4"	55	106	38,1	350	5000
HS12X3-16	3/4"	1"	58	114,5	38,1	350	5000
HS16X3-12	1"	3/4"	57	108	44,5	350	5000
HS16X3-16	1"	1"	58	114,5	44,5	350	5000
HS20X3-16	1 1/4"	1"	63	119,5	50,8	280	4000
HS20X3-20	1 1/4"	1 1/4"	64	130,5	50,8	280	4000
HS24X3-20	1 1/2"	1 1/4"	68	134,5	60,4	210	3000
HS24X3-24	1 1/2"	1 1/2"	73	155,5	60,4	210	3000



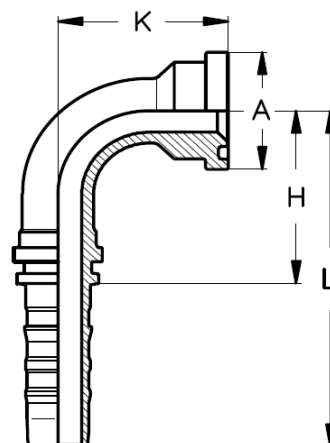
Persslangkoppeling SAE flens 45° serie-L

Bestelnummer	flens	slang diameter	afmetingen (mm)				max werkdruk	
			H	L	K	A	bar	PSI
HS12X345-12	3/4"	3/4"	63	114	25	38,1	350	5000
HS12X345-16	3/4"	1"	81	137	31	38,1	350	5000
HS16X345-12	1"	3/4"	65	116	27	44,5	350	5000
HS16X345-16	1"	1"	78	134	28	44,5	350	5000
HS20X345-16	1 1/4"	1"	78	134	28	50,8	280	4000
HS20X345-20	1 1/4"	1 1/4"	91	157	32	50,8	280	4000
HS24X345-20	1 1/2"	1 1/4"	91	157	32	60,4	210	3000
HS24X345-24	1 1/2"	1 1/2"	108	191	36	60,4	210	3000



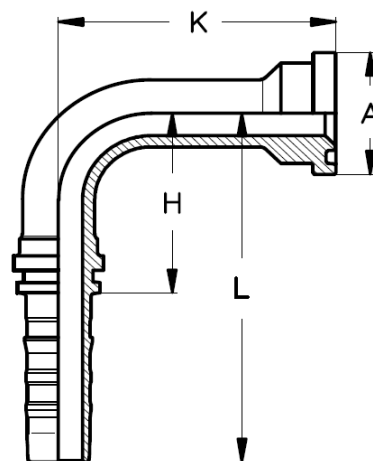
Persslangkoppeling SAE flens 90° serie-L

Bestelnummer	flens	slang diameter	afmetingen (mm)				max werkdruk	
			H	L	K	A	bar	PSI
HS12X390-12	3/4"	3/4"	55	106	51	38,1	350	5000
HS12X390-16	3/4"	1"	71	128	65	38,1	350	5000
HS16X390-12	1"	3/4"	55	106	55	44,5	350	5000
HS16X390-16	1"	1"	71	128	61	44,5	350	5000
HS20X390-16	1 1/4"	1"	71	128	61	50,8	280	4000
HS20X390-20	1 1/4"	1 1/4"	87	154	71	50,8	280	4000
HS24X390-20	1 1/2"	1 1/4"	87	154	71	60,4	210	3000
HS24X390-24	1 1/2"	1 1/2"	105	188	83	60,4	210	3000



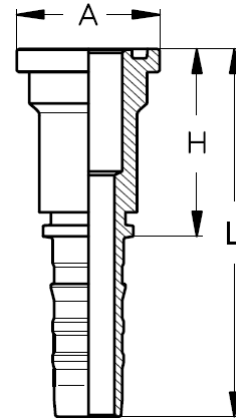
Persslangkoppeling Long-Drop SAE flens 90° serie-L

Bestelnummer	flens	slang diameter	afmetingen (mm)				max werkdruk	
			H	L	K	A	bar	PSI
HS12X390-12-B	3/4"	3/4"	55	106	127	38,1	350	5000
HS16X390-12-B	1"	3/4"	55	106	79	44,5	350	5000
HS16X390-16-B	1"	1"	71	128	118	44,5	350	5000
HS20X390-16-B	1 1/4"	1"	71	128	118	50,8	280	4000
HS20X390-20-B	1 1/4"	1 1/4"	87	154	91	50,8	280	4000
HS20X390-20-D	1 1/4"	1 1/4"	87	154	102	50,8	280	4000
HS20X390-20-F	1 1/4"	1 1/4"	87	154	130	50,8	280	4000
HS20X390-20-H	1 1/4"	1 1/4"	87	154	168	50,8	280	4000
HS24X390-20-B	1 1/2"	1 1/4"	87	154	118	60,4	210	3000
HS24X390-20-D	1 1/2"	1 1/4"	87	154	130	60,4	210	3000
HS24X390-24-B	1 1/2"	1 1/2"	105	188	148	60,4	210	3000
HS24X390-24-D	1 1/2"	1 1/2"	105	188	172	60,4	210	3000



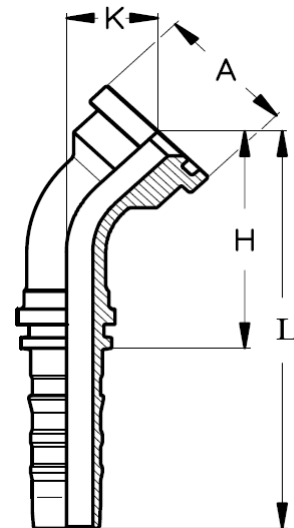
Persslangkoppeling SAE flens recht serie-S

Bestelnummer	flens	slang diameter	afmetingen (mm)			max werkdruk	
			H	L	A	bar	PSI
HS12X6-12	3/4"	3/4"	59	110	41,3	420	6000
HS12X6-16	3/4"	1"	65	121,5	41,3	420	6000
HS16X6-12	1"	3/4"	61	112	47,6	420	6000
HS16X6-16	1"	1"	65	121,5	47,6	420	6000
HS20X6-16	1 1/4"	1"	69	125,5	54	420	6000
HS20X6-20	1 1/4"	1 1/4"	70	136,5	54	420	6000
HS24X6-20	1 1/2"	1 1/4"	80	146,5	63,5	420	6000
HS24X6-24	1 1/2"	1 1/2"	84	116,5	63,5	420	6000



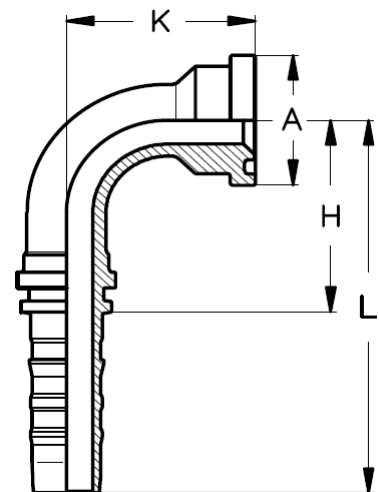
Persslangkoppeling SAE flens 45° serie-S

Bestelnummer	flens	slang diameter	afmetingen (mm)				max werkdruk	
			H	L	K	A	bar	PSI
HS12X645-12	3/4"	3/4"	66	117	28	41,3	420	6000
HS12X645-16	3/4"	1"	81	137	31	41,3	420	6000
HS16X645-12	1"	3/4"	68	118	29	47,6	420	6000
HS16X645-16	1"	1"	80	136	30	47,6	420	6000
HS20X645-16	1 1/4"	1"	80	136	30	54	420	6000
HS20X645-20	1 1/4"	1 1/4"	93	160	34	54	420	6000
HS24X645-20	1 1/2"	1 1/4"	94	161	35	63,5	420	6000
HS24X645-24	1 1/2"	1 1/2"	112	195	40	63,5	420	6000



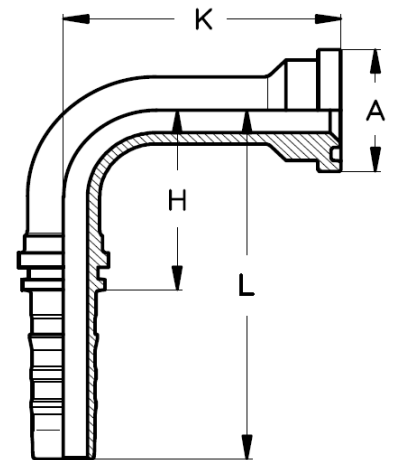
Persslangkoppeling SAE 90° serie-S

Bestelnummer	flens	slang diameter	afmetingen (mm)				max werkdruk	
			H	L	K	A	bar	PSI
HS12X690-12	3/4"	3/4"	55	106	56	41,3	420	6000
HS12X690-16	3/4"	1"	71	128	65	41,3	420	6000
HS16X690-12	1"	3/4"	55	106	58	47,6	420	6000
HS16X690-16	1"	1"	71	128	64	47,6	420	6000
HS20X690-16	1 1/4"	1"	71	128	64	54	420	6000
HS20X690-20	1 1/4"	1 1/4"	87	154	74	54	420	6000
HS24X690-20	1 1/2"	1 1/4"	87	154	76	63,5	420	6000
HS24X690-24	1 1/2"	1 1/2"	105	188	88	63,5	420	6000



Persslangkoppeling Long-Drop SAE flens 90° serie-S

Bestelnummer	flens	slang diameter	afmetingen (mm)				max werkdruk	
			H	L	K	A	bar	PSI
HS12X690-12-B	3/4"	3/4"	55	106	100	41,3	420	6000
HS16X690-12-B	1"	3/4"	55	106	140	47,6	420	6000
HS20X690-20-B	1 1/4"	1 1/4"	87	154	120	54	420	6000



SAE afdichtingsring voor flensen
2 delig 3000-6000 PSI

Bestelnummer	flens
SAE3/6-SFS-12	3/4"
SAE3/6-SFS-16	1"
SAE3/6-SFS-20	1 1/4"
SAE3/6-SFS-24	1 1/2"



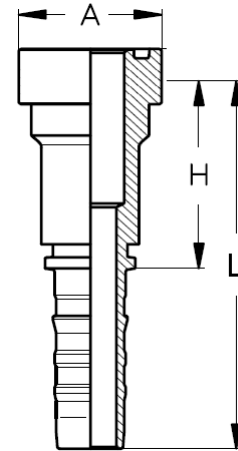
SAE afdichtingsring voor flensen
O-ring 90 Shore 3000-6000 PSI

Bestelnummer	flens
SAE3/6-012/16	3/4"
SAE3/6-016/16	1"
SAE3/6-020/16	1 1/4"
SAE3/6-024/16	1 1/2"



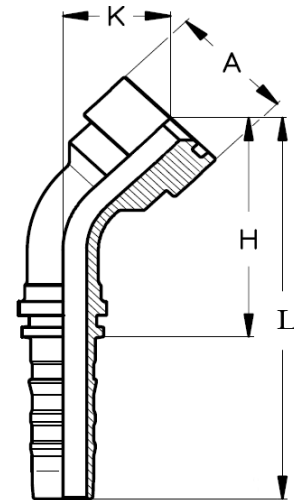
Caterpillar persslangkoppeling flens

Bestelnummer	flens	slang diameter	afmetingen (mm)			max werkdruk	
			H	L	A	bar	PSI
HS12CAT-12	3/4"	3/4"	84	135	41,3	420	6000
HS16CAT-12	1"	3/4"	84	135	47,6	420	6000
HS16CAT-16	1"	1"	90	146,5	47,6	420	6000
HS20CAT-16	1 1/4"	1"	90	146,5	54	420	6000
HS20CAT-20	1 1/4"	1 1/4"	88	154,4	54	420	6000
HS24CAT-20	1 1/2"	1 1/4"	88	154,5	63,5	420	6000
HS24CAT-24	1 1/2"	1 1/2"	84	166,5	63,5	420	6000



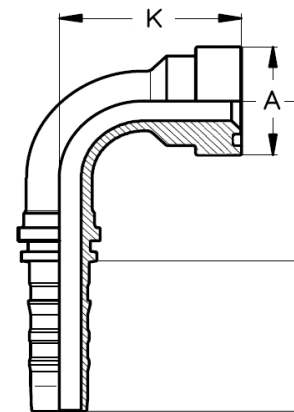
Caterpillar persslangkoppeling flens 45°

Bestelnummer	flens	slang diameter	afmetingen (mm)				max werkdruk	
			H	L	K	A	bar	PSI
HS12CAT45-12	3/4"	3/4"	72	123	34	41,3	420	6000
HS16CAT45-12	1"	3/4"	74	125	36	47,6	420	6000
HS16CAT45-16	1"	1"	86	143	36	47,6	420	6000
HS20CAT45-16	1 1/4"	1"	86	143	36	54	420	6000
HS20CAT45-20	1 1/4"	1 1/4"	96	162	36	54	420	6000
HS24CAT45-20	1 1/2"	1 1/4"	96	162	36	63,5	420	6000
HS24CAT45-24	1 1/2"	1 1/2"	114	196	41	63,5	420	6000



Caterpillar persslangkoppeling flens 90°

Bestelnummer	flens	slang diameter	afmetingen (mm)				max werkdruk	
			H	L	K	A	bar	PSI
HS12CAT90-12	3/4"	3/4"	55	106	64	41,3	420	6000
HS16CAT90-12	1"	3/4"	55	106	64	47,6	420	6000
HS16CAT90-16	1"	1"	71	128	73	47,6	420	6000
HS20CAT90-16	1 1/4"	1"	71	128	73	54	420	6000
HS20CAT90-20	1 1/4"	1 1/4"	87	154	77	54	420	6000
HS24CAT90-20	1 1/2"	1 1/4"	87	154	78	63,5	420	6000
HS24CAT90-24	1 1/2"	1 1/2"	105	188	90	63,5	420	6000



Caterpillar afdichtingsring voor flensen

2 delig, 6000 psi

Bestelnummer	flens
SAE3/6-CAT-12	3/4"
SAE3/6-CAT-16	1"
SAE3/6-CAT-20	1 1/4"
SAE3/6-CAT-24	1 1/2"

