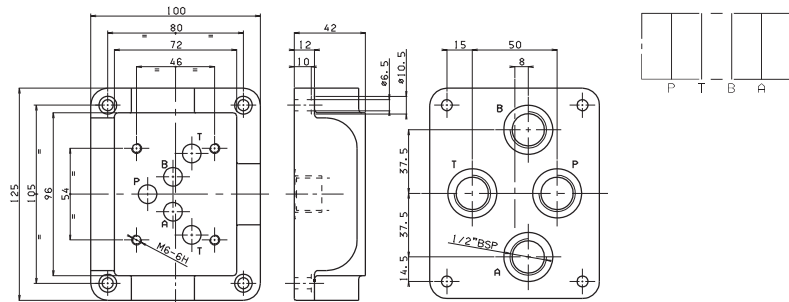


BS.5.12 (REAR CONNECTORS)

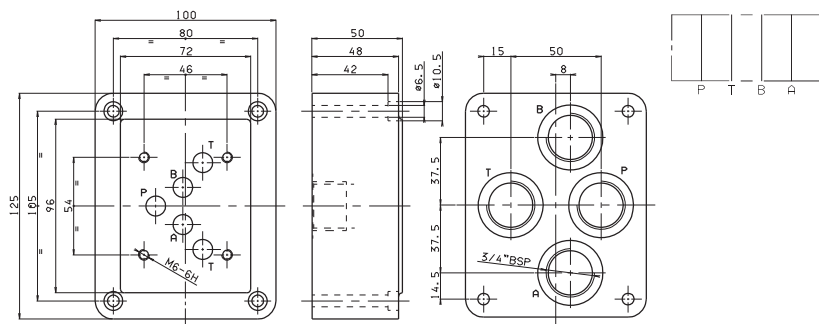
- BS** Single subplate
- 5** CETOP 5/NG10
- 12** 1/2" BSP rear connectors
- 00** No variant
- 1** Serial No.



Weight: 2.7 Kg - Fixing screws M6x25 UNI 5931

BS.5.13 (REAR CONNECTORS)

- BS** Single subplate
- 5** CETOP 5/NG10
- 13** 3/4" BSP rear connectors
- 00** No variant
- 1** Serial No.

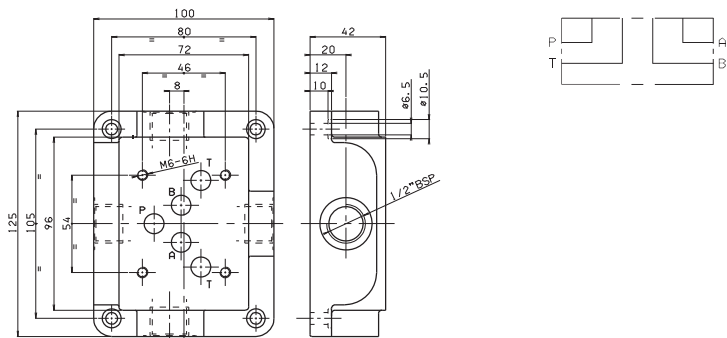


Weight: 3.8 Kg - Fixing screws M6x50 UNI 5931

7

BS.5.14 (SIDE CONNECTORS)

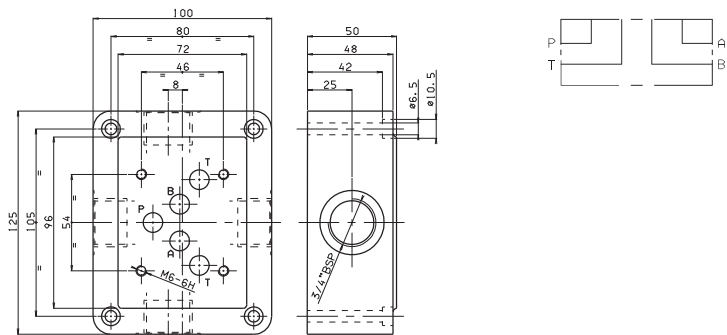
- BS** Single subplate
- 5** CETOP 5/NG10
- 14** 1/2" BSP side connectors
- 00** No variant
- 1** Serial No.



Weight: 2.6 Kg - Fixing screws M6x20 UNI 5931

BS.5.15 (SIDE CONNECTORS)

- BS** Single subplate
- 5** CETOP 5/NG10
- 15** 3/4" BSP side connectors
- 00** No variant
- 1** Serial No.



Weight: 3.8 Kg - Fixing screws M6x50 UNI 5931