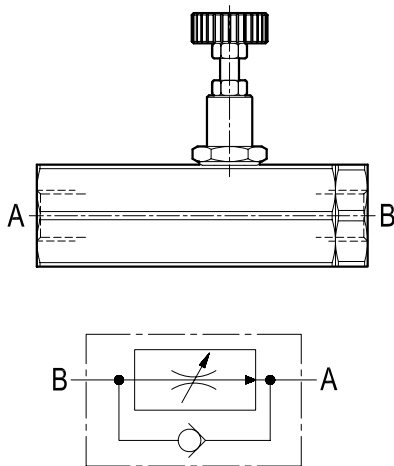


Flow control valves

Pressure compensated adjustable flow regulator with reverse flow check



VCST (G1/4) Series



Description

This pressure compensated flow regulator controls the oil flow from B to A, and prevents it from exceeding the adjusted value regardless of working pressure, while establishing a minimum pressure differential of approximately 5 bar (75 psi) between the two ports. The valve is available in different sizes and versions for different flow ranges, as specified by the tables of the Technical data, Dimensions and Performance diagrams. The fine setting of the output flow at A can be achieved by rotating the hand knob which can be locked in position by the locking nut in order to prevent inadvertent changes. Unrestricted reverse flow "A-B" is permitted through a check valve with zero cracking pressure, regardless of valve adjustment.

Technical data

Code	Pressure P max bar (psi)	Flow Q l/min (gpm)	Weight kg (lbs)
VCST 14	250 (3600)	4 - 10 (1 - 3)	0.35 (0.77)
VCST 14 P		1 - 4 (0.3 - 1)	
VCST 14 PP			

Steel body, zinc plated

Performance

