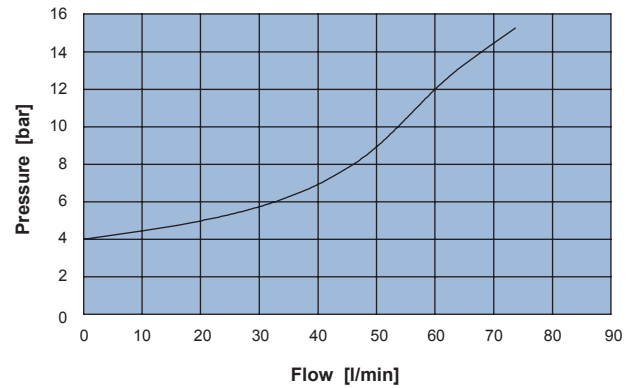
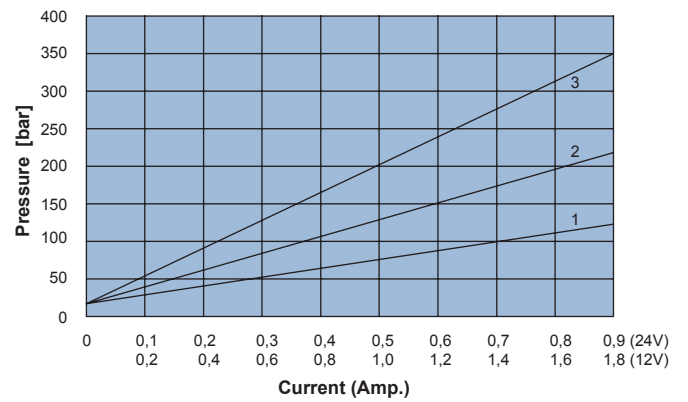
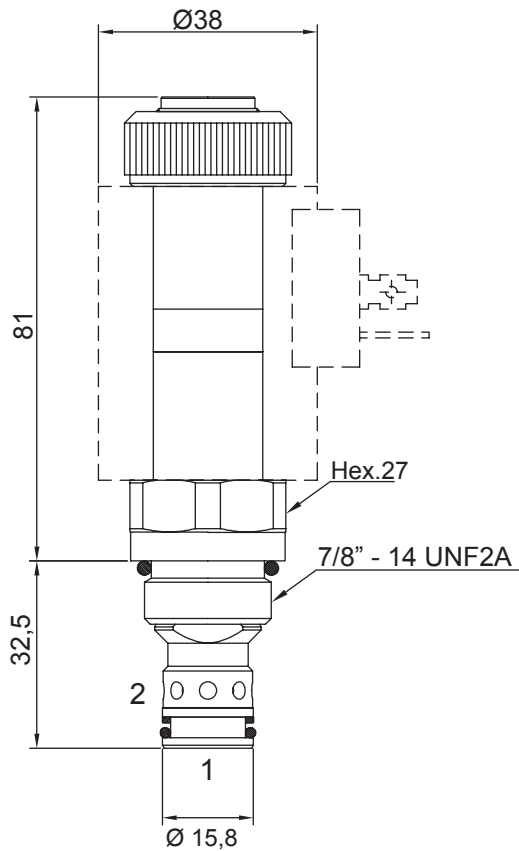
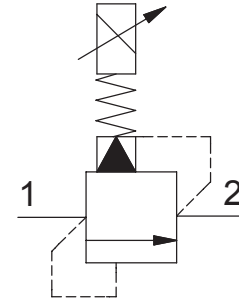


ELECTRO-PROPORTIONAL PRESSURE RELIEF VALVE, PILOT OPERATED

- Flow **60 l/min**
- Max working pressure. **350 bar**
- Seals **NBR and PTFE**
- Max current at 12 Vcc **1800mA**
- Max current at 24 Vcc **900mA**
- PWM **120 Hz**
- Hysteresis. **5%**
- Cartridge tightening torque **.40 Nm**
- Ring nut tightening torque **4 Nm**
- Weight (with coil). **0,48 Kg**
- Cavity **C230000** page **210**
- Body. **171302** page **191**
- Coil (to be ordered separately) **09800** page **180**



Ordering code

0 0 6 3 0

SETTING RANGE	1	2	3
Min - Max [bar]	0 ÷ 150	0 ÷ 250	0 ÷ 350

