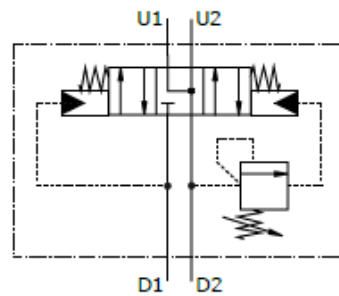


OV.00347

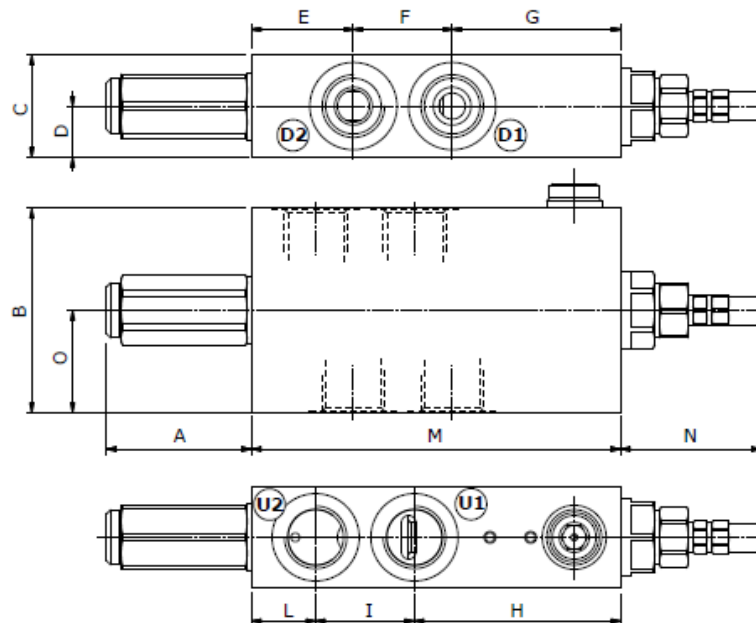
**VRCL/KD 12/TS.S/ac** 1245033101 G1/2 port thread, setting range  
50-220 bar (725-3200 psi)

Technical specifications and diagrams are measured with mineral oil of 46 cSt viscosity at 40°C (104°F) temperature.

	VRCL/KD 38	VRCL/KD 12	VRCL/KD 34	VRCL/KD 100
Nominal flow	30 l/min (7.9 US gpm)	50 l/min (13.2 US gpm)	90 l/min (23.8 US gpm)	150 l/min (39.6 US gpm)
Max. pressure	350 bar (5100 psi)			
Fluid	mineral based oil			
Viscosity	from 10 to 200 cSt			
Max. level of contamination	18/16/13 ISO4406			
Fluid temperature	with NBR seals from -20°C (-4°F) to 80°C (176°F)			
Environmental temp. for working conditions	from -40°C (-40°F) to 100°C (212°F)			
Weight	steel 3.65 kg (8.05 lb)	3.55 kg (7.83 lb)	5.50 kg (12.12 lb)	10.12 kg (22.31 lb)



## Dimensions



Valve type	All ports
VRCL/KD 38	G3/8
VRCL/KD 12	G1/2

Dimensions are in mm-in

Valve Type	A	B	C	D	E	F	G	H	I	L	M	N	O
VRCL/KD 38	50-1.97	70-2.75	35-1.38	17.5-0.69	35-1.38	34-1.34	58-2.28	71-2.79	34-1.34	22-0.87	127-5	48.5-1.91	35-1.38
VRCL/KD 12	50-1.97	70-2.75	35-1.38	17.5-0.69	35-1.38	34-1.34	58-2.28	71-2.79	34-1.34	22-0.87	127-5	48.5-1.91	35-1.38