

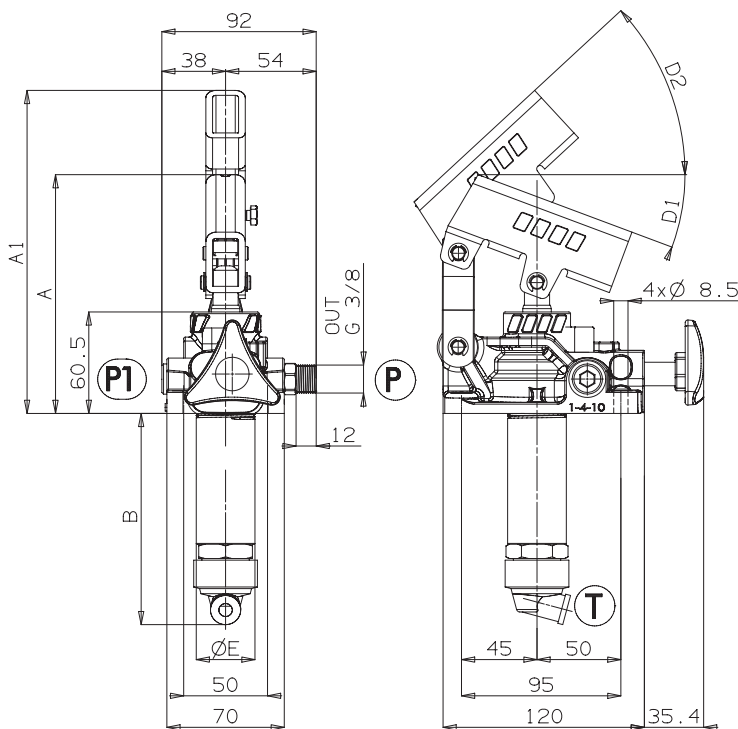
Double acting hand pumps (the pump delivers oil both pushing and pulling the lever) suitable to operate single acting applications. They can be fitted also onto tank and are equipped with tapered lowering valve.

These hand pumps can have 3 different sizes to perform various applications and to achieve smooother loads on the lever. They are available with nodular cast-iron body zinc plating +sealed and nickel-plated spool.

Order code (without lever)

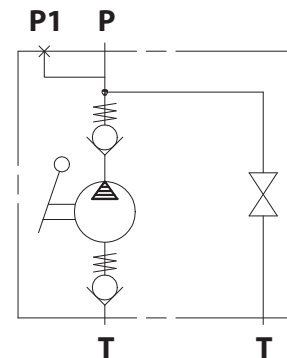
		PMS 12	PMS 25	PMS 45	
Without tank		CX.100165	CX.110010	CX.120225	
	With tank	1	CX.100010	CX.110030	CX.120010
Plastic		2	CX.100050	CX.110110	CX.120070
		3	CX.100090	CX.110150	CX.120110
		5	CX.100130	CX.110190	CX.120150
		7	CX.100152	CX.110230	CX.120190
		10	CX.100156	CX.110070	CX.120030

Dimensions



	A	A1	B	D1	D2	E
	mm	mm	mm	°	°	mm
PMS 12	143	187	120	18,5	45	35
PMS 25	142	193	127	20	45	35
PMS 45	141	193	138	20	45	42

Hydraulic layout



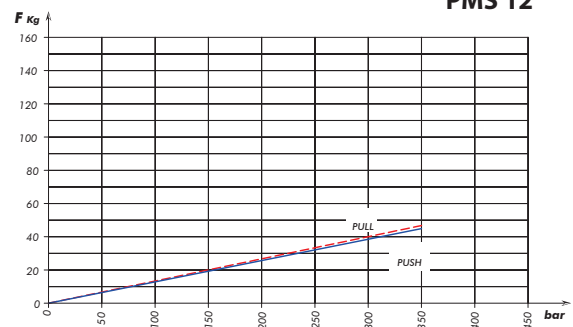
Technical data

Pump type	Max.pressure setting <i>bar</i>	Displacement			Weight <i>kg</i>
		Full <i>cm³</i>	Pull <i>cm³</i>	Push <i>cm³</i>	
PMS 12	350	12	6,1	5,9	2,8
PMS 25	300	25	13,4	11,6	2,9
PMS 45	270	45	23,7	21,3	3,2

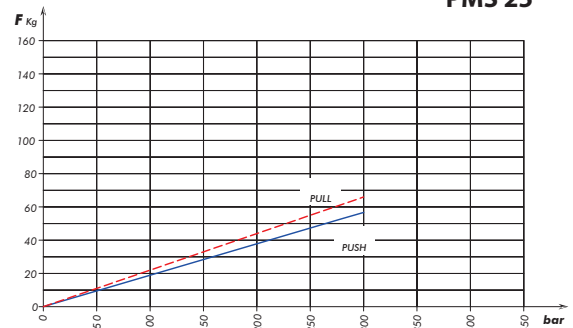
Fluid	Mineral or synthetic compatible with the following seals: NBR, FKM				
Kinematic viscosity suggested	Average ambient temp.	< -10	-10÷10	10÷35	> 35
	VG (cSt = mm ² /s)	22	32	46	68
Working temperature		-15° +110°C			

Load while pumping with standard lever

PMS 12



PMS 25



PMS 45

