

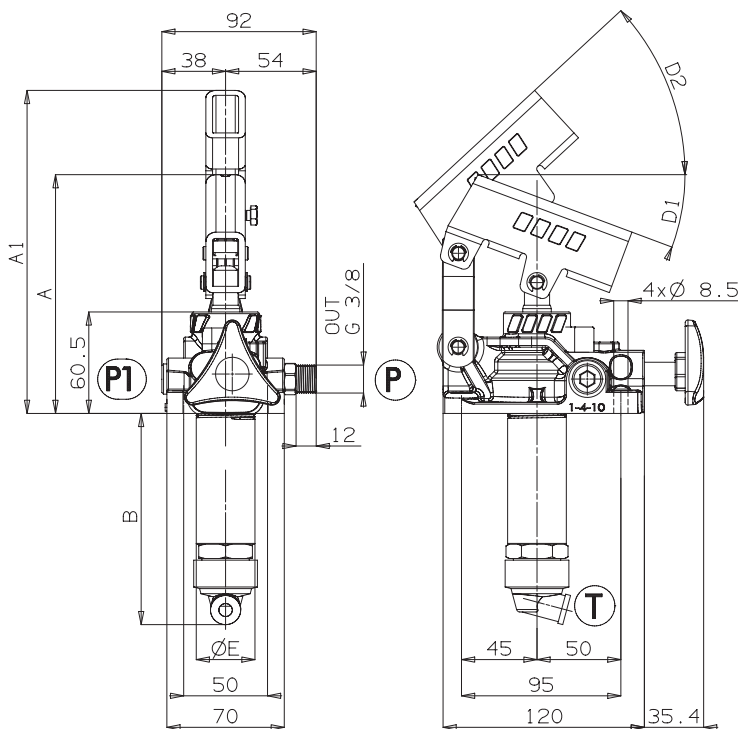
Double acting hand pumps (the pump delivers oil both pushing and pulling the lever) suitable to operate single acting applications. They can be fitted also onto tank and are equipped with tapered lowering valve.

These hand pumps can have 3 different sizes to perform various applications and to achieve smooother loads on the lever. They are available with nodular cast-iron body zinc plating +sealed and nickel-plated spool.

**Order code (without lever)**

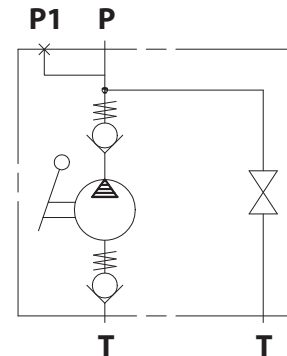
		PMS 12	PMS 25	PMS 45	
<b>Without tank</b>		CX.100165	CX.110010	CX.120225	
	<b>With tank</b>	1	CX.100010	CX.110030	CX.120010
Plastic		2	CX.100050	CX.110110	CX.120070
		3	CX.100090	CX.110150	CX.120110
		5	CX.100130	CX.110190	CX.120150
		7	CX.100152	CX.110230	CX.120190
		10	CX.100156	CX.110070	CX.120030

**Dimensions**



	A	A1	B	D1	D2	E
	mm	mm	mm	°	°	mm
<b>PMS 12</b>	143	187	120	18,5	45	35
<b>PMS 25</b>	142	193	127	20	45	35
<b>PMS 45</b>	141	193	138	20	45	42

**Hydraulic layout**



## Technical data

Pump type	Max.pressure setting bar	Displacement			Weight kg
		Full cm <sup>3</sup>	Pull cm <sup>3</sup>	Push cm <sup>3</sup>	
<b>PMS 12</b>	350	12	6,1	5,9	2,8
<b>PMS 25</b>	300	25	13,4	11,6	2,9
<b>PMS 45</b>	270	45	23,7	21,3	3,2

Fluid	Mineral or synthetic compatible with the following seals: NBR, FKM, FPM, Nylon				
Kinematic viscosity suggested	Average ambient temp.	< -10	-10÷10	10÷35	> 35
	VG (cSt = mm <sup>2</sup> /s)	22	32	46	68
Working temperature		-15° +110°C			

## Load while pumping with standard lever

## Seal kit

PMS 12	PMS 25	PMS 45
CX.080490	CX.080510	CX.080530

