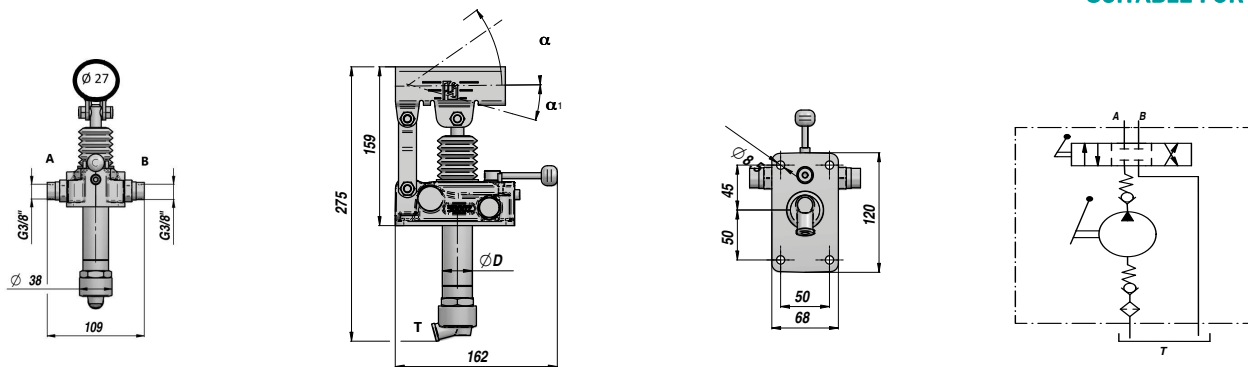


PAM-TDS

NEW!

HAND PUMP WITH 4-WAY DIVERTER - CLOSED CENTRE

SUITABLE FOR OIL TANK



Code	Type	cm ³ /cycle	P MAX bar	ØD	α	α ₁	Working Temperature	kg
DI.98000	PAM-TDS 25	25	350	35	57°	15°	-20°C +80°C	3,12
DI.98100	PAM-TDS 45	42	280	40	52°	28°		3,24

Double-stroke for a D.A. cylinder

ON REQUEST:

PAMX-TDS = HAND PUMP WITH ROUND LEVER HOLDER

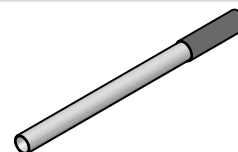
FPM = VITON SEALS

VMQ = FLUORINE-SILICONE SEALS

Hand Pump is supplied with fastening screws and NBR seal.

LEVE - LEVERS

Code	Sizes	TYPE	kg
DI.98400	Ø27 x 600 (PAMX)	2	0,91



STANDARD HAND LEVER

