

HAND PUMPS WITHOUT TANK

FAMILY CODE

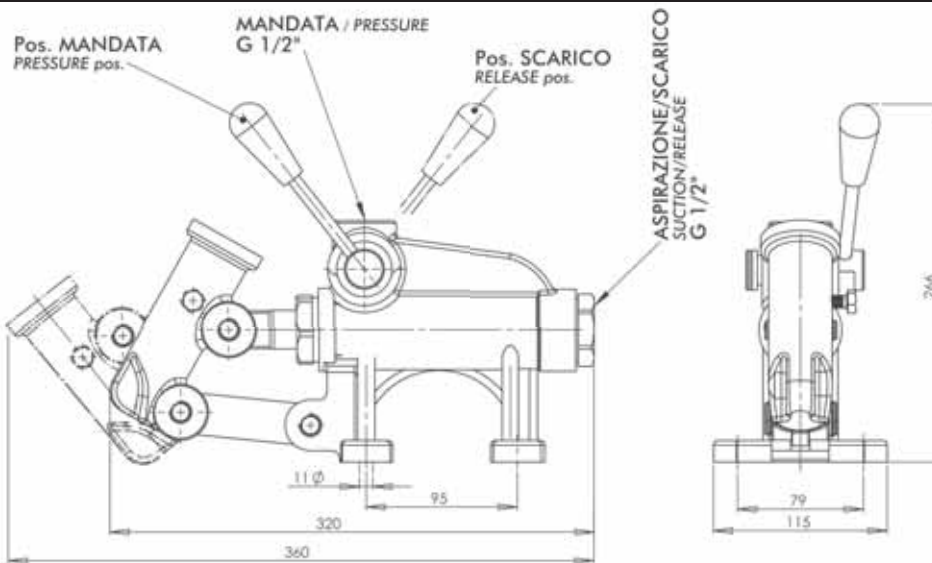
PM 70

SERIES



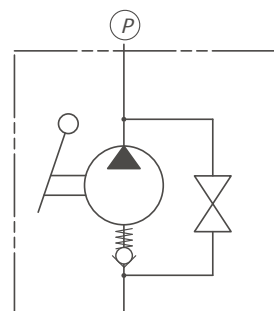
Hand pumps with double effect activation (the pump delivers oil both pushing and pulling the lever) wheter with drainage tap for simple effect installations or without tap for emergency installations. Available in three different capacities to allow several applications and to limit the effort on the lever in any situation. The body is in cast-iron with phosphate treatment and the stem is in nickered steel.

	Order code
	PM 70
with valve	▲ CX.084130



Hydraulic layout

WITH VALVE



Technical data

Pump type	Max. Pressure bar	Displacement <i>t</i>			Weight Kg
		Full cm ³	Pull cm ³	Push cm ³	
PM 70	200	70	37,1	32,9	7,2

Fluid	Mineral or synthetic compatible with following seals: NBR, FKM, FPM, Nylon				
Kinematic viscosity suggested	Average ambient temp. (°C)	< -10	-10÷10	10÷35	> 35
	VG (cSt = mm ² /s)	22	32	46	68
Working temperature		-15° +110°C			

Lever
PM 70
di.98400

Seal kit
PM 70
cx.080620

Load while pumping with standard lever

PM 70

