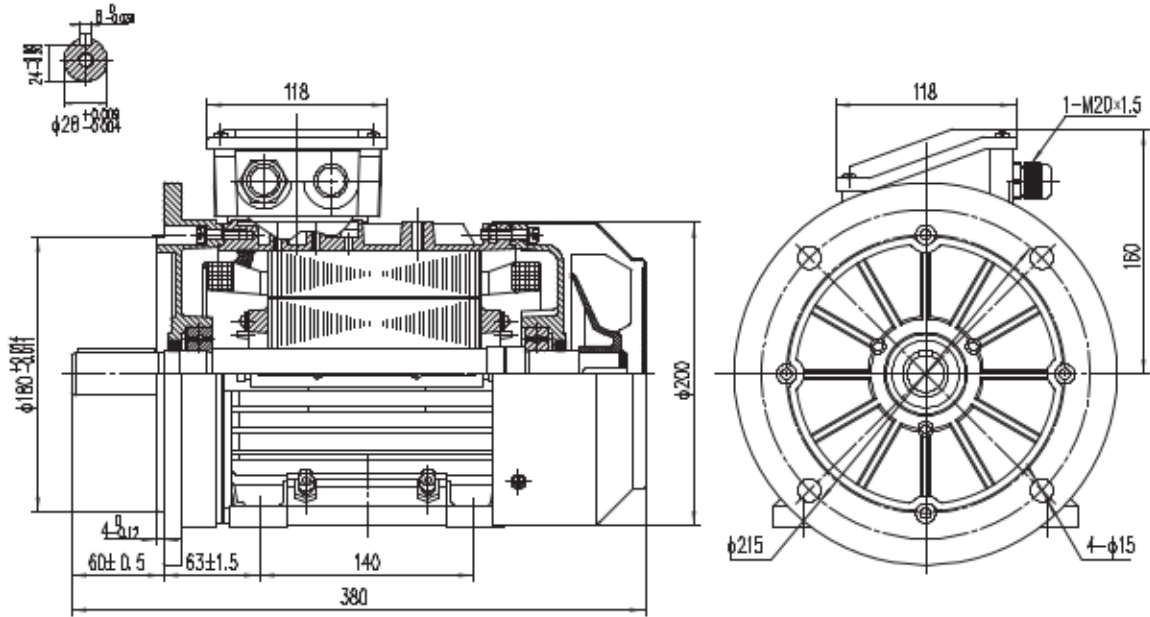


Type T3A 100L1-2

Cod. R100L203,0AA5A00000T

Mounting position

IM	B35
IM	2001



Electrical data			
Rated motor power	3		Kw
Rated motor speed	2910		min <sup>-1</sup> 50Hz
	3495		min <sup>-1</sup> 60Hz
Rated motor frequency	50		Hz
Rated motor voltage(+/-10%)	230		VΔ/50Hz
	400		VY/50Hz
	280		VΔ/60Hz
	480		VY/60Hz
Rated motor torque	9.85		Nm (Mn)
	9.73	VΔ/50Hz	A (In)
Rated motor current	5.62	VY/50Hz	A (In)
	9.4		xIn
Starting motor torque	3.2		xMn
Breakdown motor torque	3.6		xMn
Starting			D.O.L.
Efficiency class	IE3		
Efficiency	50Hz	60Hz	100% load
	87.1	87.5	75% load
	87.5	86.9	50% load
	86.3	86.2	100% load
Power factor cosφ	0.89	0.89	100% load

General data		
Frame size	100	
Mounting	B35	
Weight	26.15	Kg
Casing material	Aluminum	
Protection	IP	55
Insulation class	H	
Tropicalization	Yes	
Vibration class	A	
Duty	S1	
Direction of rotation	Bidirectional	
Method of cooling	IC	411
Cable entry	2-M20x1,5	
Standards	IEC/DIN/ISO/VDE/EN	
Execute at Standard	IEC 60034-1	
Feet removable	Yes	
Paintwork	7024	C2 standard
Thermal protections	n/a	

Site conditions	
Ambient temperature	from -20°C to +40°C
Altitude above sea level	1000 m

Mechanical data						
Noise level	LpA	77	dB(A)	Bearing DE side	6206-2RS-C3	
	LwA	87	dB(A)	Bearing NDE side	6206-2RS-C3	
Moment of inertia	0.00484		Kgm <sup>2</sup>	Average bearing lifetime	40000 h	
Bearings type			NSK	Relubrication interval L1 DE bearing	life h	
Lubricants for bearings	See installation and maintenance manual			Relubrication interval L1 NDE bearing	life h	
				Compensation ring	NDE SIDE	standard