

Continuous Duty PowerSeal Specifications

| | |
|--------------------------------------|---|
| Coil Terminals | 2: 10-32 Studs |
| Contact Studs | 5/16-24 Studs |
| Mounting Bracket | L, Flat, 90, L Flat, L Curved, and Flat L Wide |
| Standard Operating Temperature Range | -40° C to 65° C |
| 12V, 36V, and 48V | Can carry 300 amps for 60 seconds or 400 amps for 30 seconds |
| 12V, 36V, and 48V | Can interrupt current – 400 amps for 100 cycles over the expected product electrical life |

Coils

Contact

| Model | Max Sustained Duty Cycle ¹ | Max On Time | Pull In Voltage ² | Hold Voltage ² | Coil Resist Ohms | Resistive Load Carry/Interrupt Capability (Amps) ³ | Inductive Load Carry/Interrupt Capability (Amps) ³ | Peak Inductive Inrush Capability (Amps) ⁴ | Electrical Cycle Life | Contact Material |
|------------|---------------------------------------|-------------|------------------------------|---------------------------|------------------|---|---|--|-----------------------|---|
| 12V Cont. | 100% | Cont. | 7.5 | 3.5 | 13.5 | 150/250 | 150/250 | 800 | 100,000 | Copper |
| 15V Cont. | 100% | Cont. | 9.5 | 4.0 | 17.5 | 150/250 | 150/250 | 800 | 100,000 | Copper |
| 24V Cont. | 100% | Cont. | 16 | 7.0 | 48 | 150/0 | 150/0 | Not intended to switch current | 100,000 | Copper with Silver Alloy Plating/Silver Alloy |
| 36V Cont. | 100% | Cont. | 24 | 10.4 | 105 | 150/0 | 150/0 | Not intended to switch current | 100,000 | Copper with Silver Alloy Plating/Silver Alloy |
| 48V Cont.- | 100% | Cont. | 32 | 13.9 | 195 | 150/0 | 150/0 | Not intended to switch current | 100,000 | Copper with Silver Alloy Plating/Silver Alloy |

¹Nominal coil voltage applied starting from 25° C DC Contactor temperature. Duty Cycle=On Time/(On Time + Off Time). ²Voltagess listed are minimum required at 25° C coil temperature. Minimum voltage requirements will increase with coil temperature. ³Amps at Max Duty Cycle. ⁴Risetime ≥ 3 milliseconds to 80% of peak inrush with linear decay to run (carry) current in ≤.1 seconds.

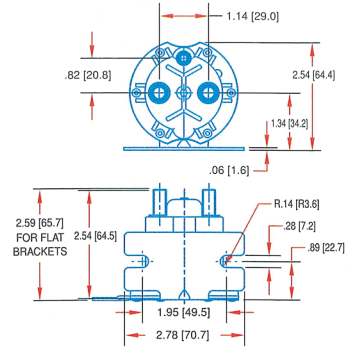
Enter Complete Part Number Below –

Ordering Information • Some configurations are not available. Contact your Trombetta sales rep before ordering.

| Family | Coil Connection Configuration | High Current Stud | Coil Voltage | Bracket Type | Bracket Location | Duty Cycle | Contact Material | Sealing |
|-------------------------------------|---|-------------------------------------|--|---|-------------------------------------|--|--|-------------------------------------|
| <input checked="" type="checkbox"/> | <input checked="" type="checkbox"/> | <input checked="" type="checkbox"/> | - | <input checked="" type="checkbox"/> <input checked="" type="checkbox"/> | <input checked="" type="checkbox"/> | - | <input checked="" type="checkbox"/> | <input checked="" type="checkbox"/> |
| 6- Power Seal | 3- Grounded 10/32 Non-Grounded (p) 10/32 | 4- Standard Power Seal | 12- 12 Volt 15- 15 Volt 24- 24 Volt 36- 36 Volt 48- 48 Volt | 1- L Bracket, Curved 2- Flat Bracket 3- Curve Bracket 4- 90 Degree Bracket 5- L Bracket, Flat 6- L Bracket Curved Narrow 7- L Bracket Flat, Long | 1- Standard | 0- 100% Continuous 2- 25% | 1- Intermittent Duty & 12V Continuous Duty - Copper, 24, 36 & 48V Continuous Duty, Silver Alloy Stationary Contacts with Silver Alloy Plated Moveable Contacts. | 2- Sealed Design |

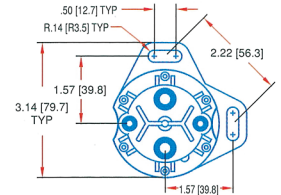


L Flat Bracket



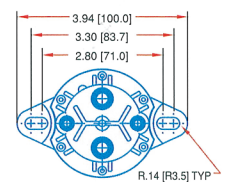
90° Bracket

Refer to L Bracket configuration for additional dimensions.

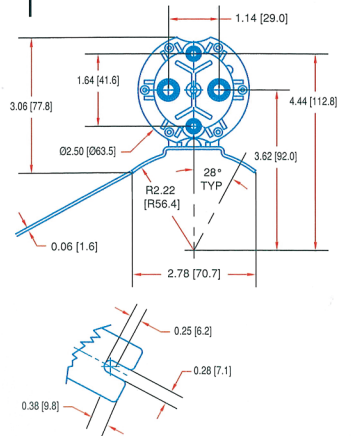
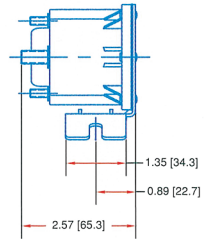


Flat Bracket

Refer to L Bracket configuration for additional dimensions.



L Bracket



Other brackets are available. Please see our web site (www.trombetta.com) for additional drawings.