

## Continuous Duty PowerSeal Specifications

Coil Terminals	2: 10-32 Studs
Contact Studs	5/16-24 Studs
Mounting Bracket	L, Flat, 90°, L Flat, L Curved, and Flat L Wide
Standard Operating Temperature Range	-40° C to 65° C
12V, 36V, and 48V	Can carry 300 amps for 60 seconds or 400 amps for 30 seconds
12V, 36V, and 48V	Can interrupt current - 400 amps for 100 cycles over the expected product electrical life

### Coils


### Contact

Model	Max Sustained Duty Cycle <sup>1</sup>	Max On Time	Pull In Voltage <sup>2</sup>	Hold Voltage <sup>2</sup>	Coil Resist Ohms	Resistive Load Carry/Interrupt Capability (Amps) <sup>3</sup>	Inductive Load Carry/Interrupt Capability (Amps) <sup>3</sup>	Peak Inductive Inrush Capability (Amps) <sup>4</sup>	Electrical Cycle Life	Contact Material
12V Cont.	100%	Cont.	7.5	3.5	13.5	150/250	150/250	800	100,000	Copper
15V Cont.	100%	Cont.	9.5	4.0	17.5	150/250	150/250	800	100,000	Copper
24V Cont.	100%	Cont.	16	7.0	40	150/0	150/0	Not intended to switch current	100,000	Copper with Silver Alloy Plating/Silver Alloy
36V Cont.	100%	Cont.	24	10.4	105	150/0	150/0	Not intended to switch current	100,000	Copper with Silver Alloy Plating/Silver Alloy
48V Cont.-	100%	Cont.	32	13.9	195	150/0	150/0	Not intended to switch current	100,000	Copper with Silver Alloy Plating/Silver Alloy

<sup>1</sup>Nominal coil voltage applied starting from 25° C DC Contactor temperature. Duty Cycle=On Time/(On Time + Off Time). <sup>2</sup>Voltages listed are minimum required at 25° C coil temperature. Minimum voltage requirements will increase with coil temperature. <sup>3</sup>Amps at Max Duty Cycle. <sup>4</sup>Risetime ≥ 3 milliseconds to 80% of peak inrush with linear decay to run (carry) current in ≤ 1 seconds.

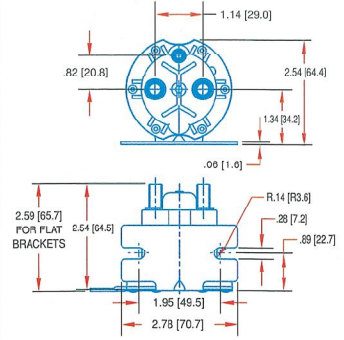
Enter Complete Part Number Below –

Ordering Information • Some configurations are not available. Contact your Trombetta sales rep before ordering.

Family	Coil Connection Configuration	High Current Stud	Coil Voltage	Bracket Type	Bracket Location	Duty Cycle	Contact Material	Sealing
<input checked="" type="checkbox"/>	<input checked="" type="checkbox"/>	<input checked="" type="checkbox"/>	<input checked="" type="checkbox"/> <input checked="" type="checkbox"/>	<input checked="" type="checkbox"/>	<input checked="" type="checkbox"/>	<input checked="" type="checkbox"/>	<input checked="" type="checkbox"/>	<input checked="" type="checkbox"/>
6- Power Seal	3- Grounded 10/32 	4- Standard Power Seal	12- 12 Volt 15- 15 Volt 24- 24 Volt 36- 36 Volt 48- 48 Volt	1- L Bracket, Curved 2- Flat Bracket 3- Curve Bracket 4- 90 Degree Bracket 5- L Bracket, Flat 6- L Bracket Curved Narrow 7- L Bracket Flat, Long	1- Standard	0- 100% Continuous 2- 25%	1- Intermittent Duty & 12V Continuous Duty - Copper, 24, 36 & 48V Continuous Duty, Silver Alloy Stationary Contacts with Silver Alloy Plated Moveable Contacts.	2- Sealed Design

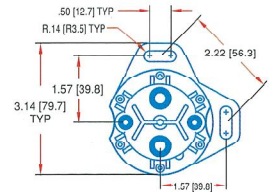


L Flat Bracket



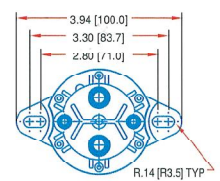
90° Bracket

Refer to L Bracket configuration for additional dimensions.

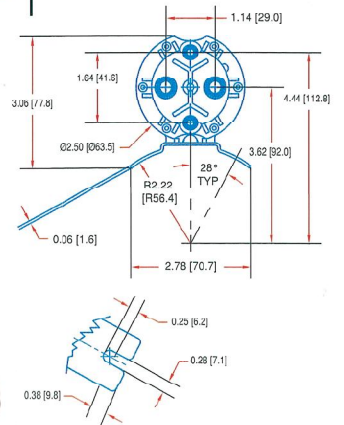
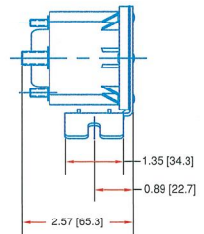


Flat Bracket

Refer to L Bracket configuration for additional dimensions.



L Bracket



Other brackets are available. Please see our web site ([www.trombetta.com](http://www.trombetta.com)) for additional drawings.