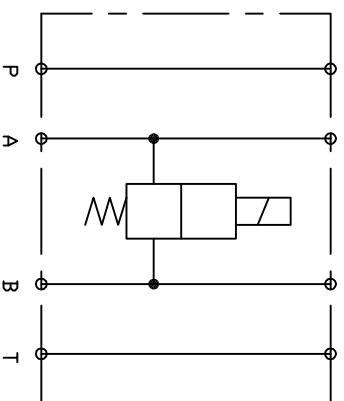


'D'-ringkamer 12,7x1,3  
'D'-ring 9,25x1,78



FIN036

CETOP 3/NG 6  
ALL FACES Ra3,2 OR BETTER  
ALUMINIUM 7020

**Stindynamica b.v.**