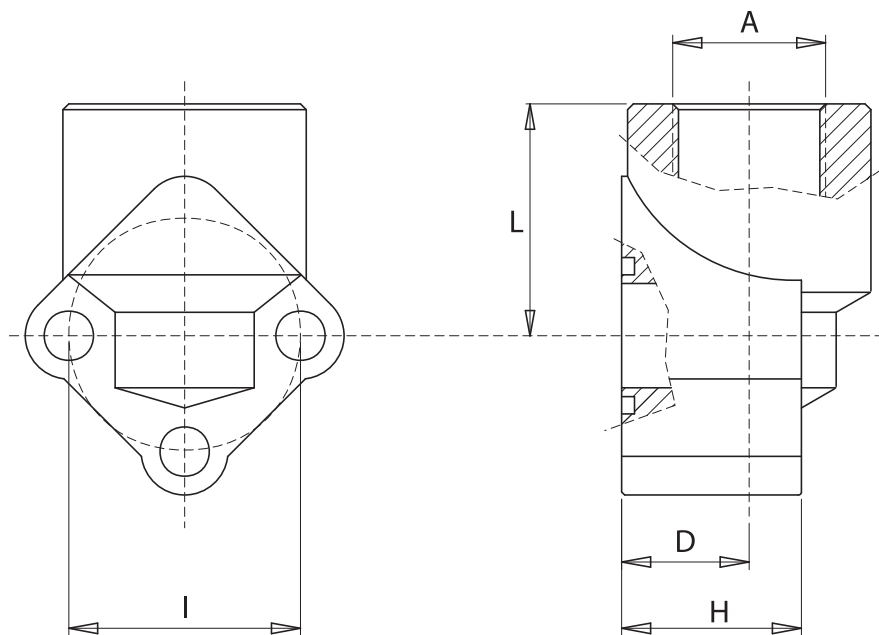


Materiale: alluminio
Material: aluminium



Press. max bar	Tipo Type	Gruppo pompa Pump size	A BSP	I	D	H	L	N. fori Fixing holes	Viti Screws	O-Rings
180	AF.00920	0.5	3/8"	26	18	24	30	3	M5x35	2056
180	AF.00940	0.5	1/2"	26	18	24	30	3	M5x35	2056
180	AF.01300	1	3/8"	30	18	26	30	3	M6x35	121
180	AF.01400	1	1/2"	30	18	26	30	3	M6x35	121
180	AF.01500	2	1/2"	40	20	31	40	3	M8x45	130
180	AF.01600	2	3/4"	40	20	31	40	3	M8x45	130
180	AF.01700	3	3/4"	51÷56	26	43	46	3	M10x60	4118
180	AF.01740	3	1"	51÷56	26	43	46	3	M10x60	4118