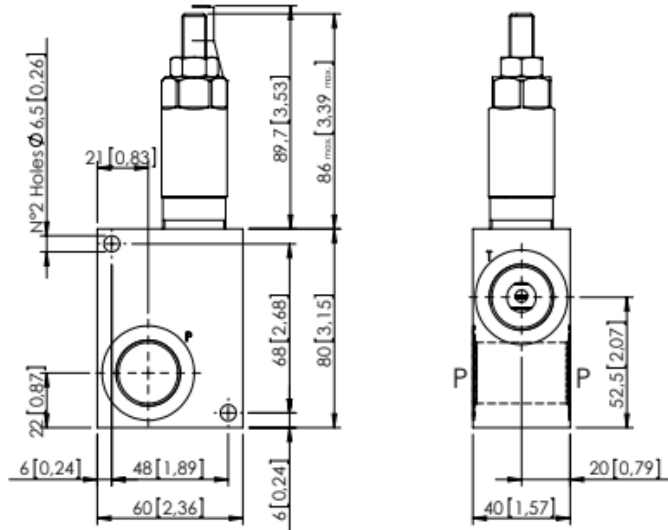
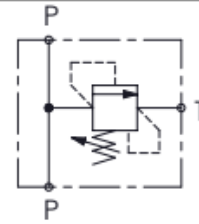


# CC.020430



Dimensions: mm [inches]



## SPECIFICATIONS

Max. operating pressure:	350 bar (5000 psi)
Rated flow:	80 l/min (21 gpm)
Manifold:	Aluminium
Weight:	0,68 kg (1.5 lbs)
Contamination class to ISO 4406:	See technical spec.
MTTF <sub>d</sub> :	150 - 1200 years: See technical spec.

Main ports size	Standard setting Q=5 l/min (1,3 gpm)	Adjustment range	Pressure increase
P,T : G 1/2"	100 bar (1400 psi)	25-100 bar (350-1400 psi)	13 bar/turn (200 psi/turn)