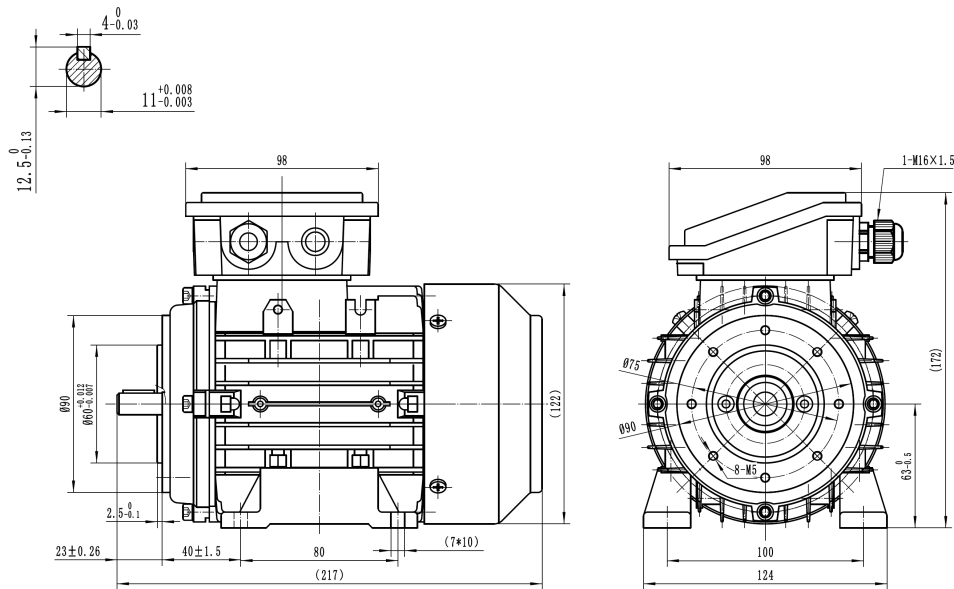


Type T2A 631-4

Cod. I063Y40,12BA5A00000T

Mounting position

IM	B34
IM	2101



Electrical data			
Rated motor power	0.12		Kw
Rated motor speed	1395		min ⁻¹ 50Hz
	1675		min ⁻¹ 60Hz
Rated motor frequency	50		Hz
Rated motor voltage(+/-10%)	230		VΔ/50Hz
	400		VY/50Hz
	280		VΔ/60Hz
	480		VY/60Hz
Rated motor torque	0.82		Nm (Mn)
Rated motor current	0.77	VΔ/50Hz	A (In)
	0.45	VY/50Hz	A (In)
Starting motor current	3.5		xIn
Starting motor torque	2.2		xMn
Breakdown motor torque	2.3		xMn
Starting			D.O.L.
Efficiency class	IE2		
Efficiency	50Hz	60Hz	
	60.1	-	100% load
	56.7	-	75% load
	48.2	-	50% load
Power factor cosφ	0.65	-	100% load

General data			
Frame size	63		
Mounting	B34		
Weight	-		Kg
Casing material	Aluminum		
Protection	IP	55	
Insulation class	H		
Tropicalization	Yes		
Vibration class	A		
Duty	S1		
Direction of rotation	Bidirectional		
Method of cooling	IC	411	
Cable entry	-		
Standards	IEC/DIN/ISO/VDE/EN		
Execute at Standard	IEC 60034-1		
Feet removable	Yes		
Paintwork	7024	C2 standard	
Thermal protections	n/a		

Site conditions	
Ambient temperature	from -20°C to +40°C
Altitude above sea level	1000 m

Mechanical data					
Noise level	LpA	67	dB(A)	Bearing DE side	6201-2RS-C3
	LwA	76	dB(A)	Bearing NDE side	6201-2RS-C3
Moment of inertia	0.00027		Kgm ²	Average bearing lifetime	40000 h
Bearings type			NSK	Relubrication interval L1 DE bearing	life h
Lubricants for bearings	See installation and maintenance manual			Relubrication interval L1 NDE bearing	life h
				Compensation ring	NDE SIDE

There may be differences between rating plate and calculated values.