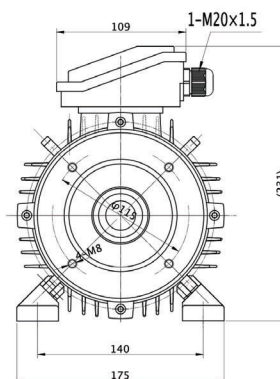
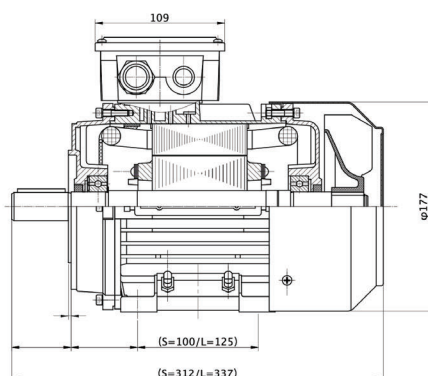
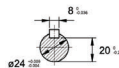


Type T2A 90L2-4

Cod. I090L402,2BA5A60000T

Mounting position

| | |
|----|------|
| IM | B34 |
| IM | 2101 |



| Electrical data | | | |
|-----------------------------|------|---------|------------------------|
| Rated motor power | 2.2 | | Kw |
| Rated motor speed | 1430 | | min ⁻¹ 50Hz |
| | 1720 | | min ⁻¹ 60Hz |
| Rated motor frequency | 50 | | Hz |
| Rated motor voltage(+/-10%) | 230 | | VΔ/50Hz |
| | 400 | | VY/50Hz |
| | 280 | | VΔ/60Hz |
| | 480 | | VY/60Hz |
| Rated motor torque | 14.7 | | Nm (Mn) |
| Rated motor current | 8.63 | VΔ/50Hz | A (In) |
| | 4.99 | VY/50Hz | A (In) |
| Starting motor current | 7.1 | | xIn |
| Starting motor torque | 3.4 | | xMn |
| Breakdown motor torque | 2.4 | | xMn |
| Starting | | | D.O.L. |
| Efficiency class | IE2 | | |
| Efficiency | 50Hz | 60Hz | |
| | 84.3 | - | 100% load |
| | 84.5 | - | 75% load |
| | 82.3 | - | 50% load |
| Power factor cosφ | 0.76 | - | 100% load |

| General data | | |
|-----------------------|--------------------|------------|
| Frame size | 90 | |
| Mounting | B34 | |
| Weight | - | Kg |
| Casing material | Aluminum | |
| Protection | IP | 56 |
| Insulation class | H | |
| Tropicalization | Yes | |
| Vibration class | A | |
| Duty | S1 | |
| Direction of rotation | Bidirectional | |
| Method of cooling | IC | 411 |
| Cable entry | 1-M20x1,5 | |
| Standards | IEC/DIN/ISO/VDE/EN | |
| Execute at Standard | IEC 60034-1 | |
| Feet removable | Yes | |
| Paintwork | 7024 | C5M marine |
| Thermal protections | n/a | |

| Site conditions | |
|--------------------------|---------------------|
| Ambient temperature | from -20°C to +40°C |
| Altitude above sea level | 1000 m |

| Mechanical data | | | | | |
|-------------------------|---|----|------------------|---------------------------------------|-------------|
| Noise level | LpA | 70 | dB(A) | Bearing DE side | 6205-2RS-C3 |
| | LwA | 80 | dB(A) | Bearing NDE side | 6205-2RS-C3 |
| Moment of inertia | 0.00535 | | Kgm ² | Average bearing lifetime | 40000 h |
| Bearings type | | | NSK | Relubrication interval L1 DE bearing | - h |
| Lubricants for bearings | See installation and maintenance manual | | | Relubrication interval L1 NDE bearing | - h |
| | | | | Compensation ring | NDE SIDE |

There may be differences between rating plate and calculated values.

Type Test Report

Type: T2A90L2-4

Voltage: 400/230 V

Output: 2.2 kW

Connection: Y/Δ

Frequency: 50 Hz

Duty: S1

| Test Item | | Result | | | |
|-----------|--|---------------|-------|---------------|-------|
| 1. | Efficiency % | 84.4 | | | |
| 2. | Power Factor | 0.757 | | | |
| 3. | Tem. Rise of Stator Winding K | 64 | | | |
| 4. | Vibration mm/s | | | | |
| 5. | Noise Lp dB (A) (Lw) | 57.1 | | | |
| 6. | Breakdown Torque/Rated Torque | 4.03 | | | |
| 7. | Pullup Torque/Rated Torque | 3.42 | | | |
| 8. | Locked Rotor Tor./Rated Tor. | 4.26 | | | |
| 9. | Locked Rotor Cur./Rated Cur. | 7.69 | | | |
| 10. | High Voltage Test V | 1800 | | | |
| 11. | Hot Insulation Res. of Stator Winding MΩ | 300. | | | |
| 12. | Temperature of Bearing °C | 53 | | | |
| 13. | Unbalance of Current % | 3.50 | | | |
| 14. | Full Load line Current A | 4.972 | | | |
| 15. | Full Load input W | 2606 | | | |
| 16. | Full Load torque Nm | 14.68 | | | |
| 17. | Max.temp.of enclosure surface °C | 50.9 | | | |
| 18. | No Load Current A | 3.487 | | | |
| 19. | Slip % | 4.591 | | | |
| 20. | Stator Winding phase resistance Ω (95°C) | 2.5048 | | | |
| 21. | Stray Load Loss W | 19.55 | | | |
| 22. | No Load Stator Power W | 187.4 | | | |
| 23. | Core Loss W | 85.69 | | | |
| 24. | Friction & Windage Loss W | 10.82 | | | |
| 25. | Locked Rotor Power W | 19306 | | | |
| 26. | Stator I ii R Loss W | 182.5 | | | |
| 27. | Rotor I ii R Loss W | 107.3 | | | |
| 28. | Locked Rotor Voltage 100.0V | Current A | 7.347 | Power W | 802.3 |
| Remark: | | | | | |
| | | 75%eff: 84.56 | | 50%eff: 82.42 | |

Check:

Operator:

Torque - Speed Curve

