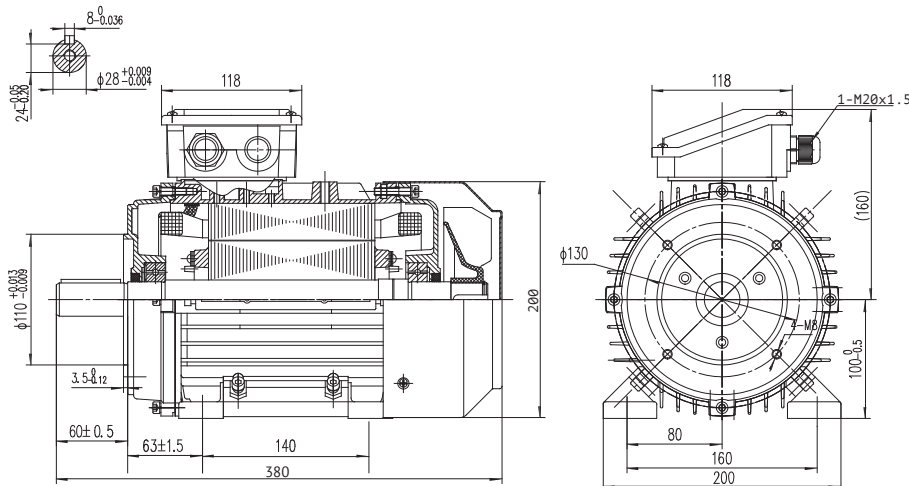


Type T3A 100L2-4

Cod. R100L403,0BA5A00000T

Mounting position

IM	B34
IM	2101

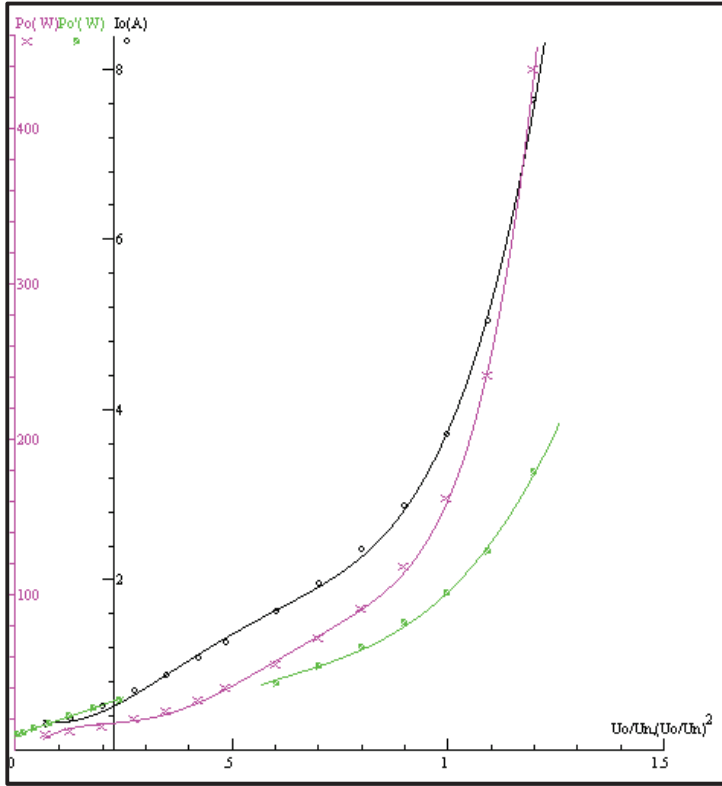


Electrical data				General data			
Rated motor power	3		Kw	Frame size	100		
Rated motor speed	1450		min <sup>-1</sup> 50Hz	Mounting	B34		
	1740		min <sup>-1</sup> 60Hz	Weight	27.2	Kg	
Rated motor frequency	50		Hz	Casing material	Aluminum		
Rated motor voltage(+/-10%)	230		VΔ/50Hz	Protection	IP	55	
	400		VY/50Hz	Insulation class	H		
	280		VΔ/60Hz	Tropicalization	Yes		
	480		VY/60Hz	Vibration class	A		
Rated motor torque	19.77		Nm (Mn)	Duty	S1		
Rated motor current	11.02	VΔ/50Hz	A (In)	Direction of rotation	Bidirectional		
	6.37	VY/50Hz	A (In)	Method of cooling	IC	411	
Starting motor current	8.1		xIn	Cable entry	2-M20x1,5		
Starting motor torque	3.3		xMn	Standards	IEC/DIN/ISO/VDE/EN		
Breakdown motor torque	3.4		xMn	Execute at Standard	IEC 60034-1		
Starting			D.O.L.	Feet removable	Yes		
Efficiency class	IE3			Paintwork	7024	C2 standard	
Efficiency	50Hz	60Hz		Thermal protections	n/a		
	87.7	87.8	100% load				
	88	87.2	75% load				
	86.9	86.5	50% load				
Power factor cosφ	0.78	0.78	100% load				
Mechanical data				Site conditions			
Noise level	LpA	70	dB(A)	Ambient temperature	from -20°C to +40°C		
	LwA	80	dB(A)	Altitude above sea level	1000 m		
Moment of inertia	0.01106		Kgm <sup>2</sup>	Bearing DE side	6206-2RS-C3		
Bearings type			NSK	Bearing NDE side	6206-2RS-C3		
	See installation and maintenance manual			Average bearing lifetime	40000	h	
Lubricants for bearings				Relubrication interval L1 DE bearing	life	h	
				Relubrication interval L1 NDE bearing	life	h	
				Compensation ring	NDE SIDE	standard	

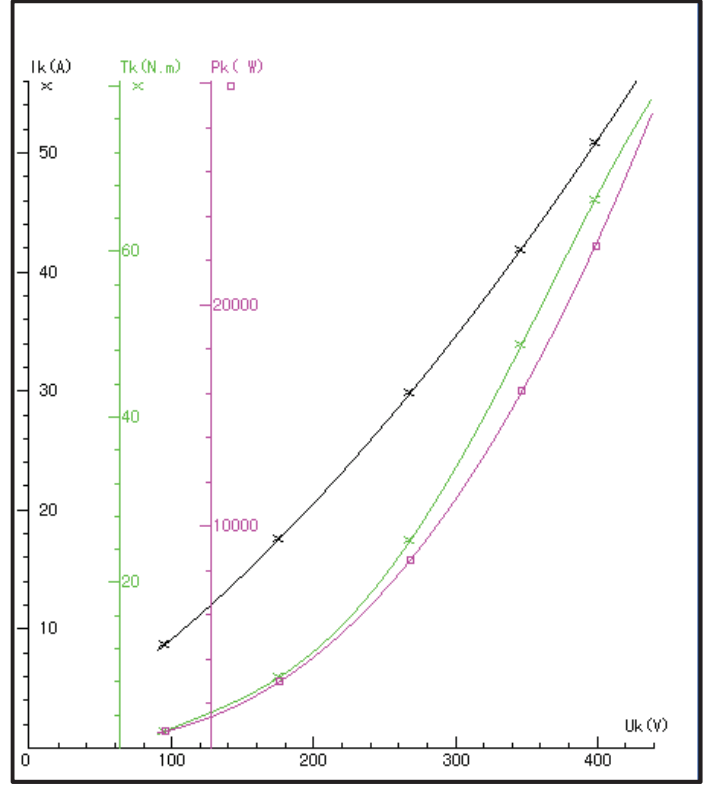
There may be differences between rating plate and calculated values.



NO LOAD



LOCKED ROTOR



LOAD

