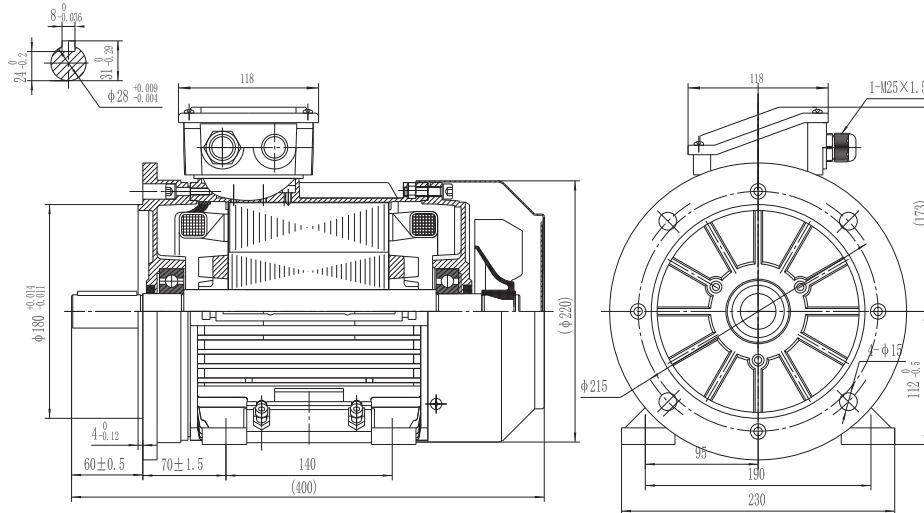


Type T2A 112M1-4

Cod. I112M404,0AB5A00000T

Mounting position

IM	B35
IM	2001



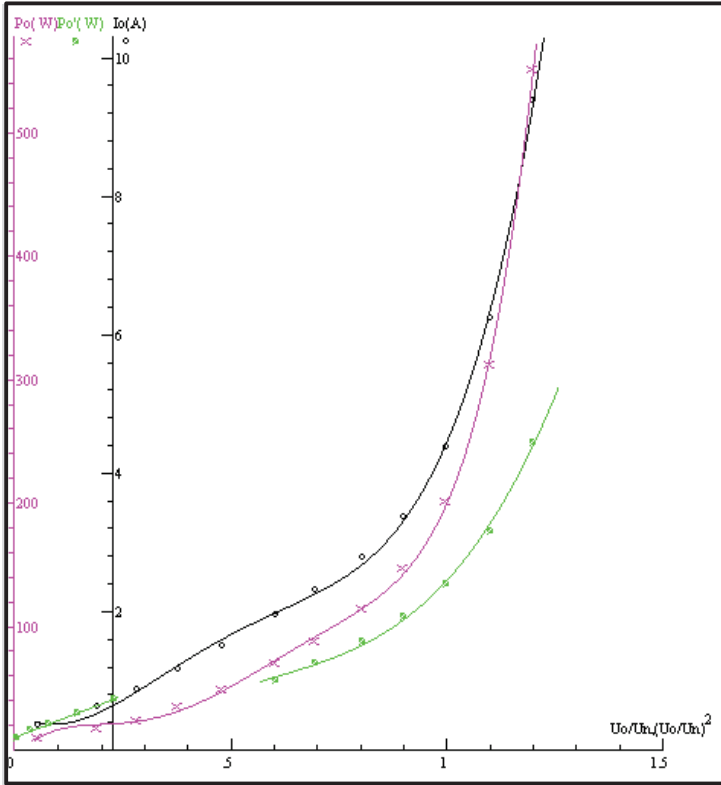
Electrical data				General data			
Rated motor power	4		Kw	Frame size	112		
Rated motor speed	1440		min <sup>-1</sup> 50Hz	Mounting	B35		
	1730		min <sup>-1</sup> 60Hz	Weight	29.64	Kg	
Rated motor frequency	50		Hz	Casing material	Aluminum		
Rated motor voltage(+/-10%)	400		VΔ/50Hz	Protection	IP	55	
	690		VY/50Hz	Insulation class	H		
	480		VΔ/60Hz	Tropicalization	Yes		
	830		VY/60Hz	Vibration class	A		
Rated motor torque	26.54		Nm (Mn)	Duty	S1		
Rated motor current	8.13	VΔ/50Hz	A (In)	Direction of rotation	Bidirectional		
	4.7	VY/50Hz	A (In)	Method of cooling	IC	411	
Starting motor current	7.9		xIn	Cable entry	2-M25x1,5		
Starting motor torque	2.5		xMn	Standards	IEC/DIN/ISO/VDE/EN		
Breakdown motor torque	3.3		xMn	Execute at Standard	IEC 60034-1		
Starting			D.O.L.	Feet removable	Yes		
Efficiency class	IE2			Paintwork	7024	C2 standard	
Efficiency	50Hz	60Hz		Thermal protections	n/a		
	86.6	89.2	100% load				
	87.7	89.1	75% load				
	87.2	87.4	50% load				
Power factor cosφ	0.82	0.82	100% load				
Mechanical data				Site conditions			
Noise level	LpA	73	dB(A)	Ambient temperature	from -20°C to +40°C		
	LwA	83	dB(A)	Altitude above sea level	1000 m		
Moment of inertia	0.01374		Kgm <sup>2</sup>				
Bearings type			NSK				
Lubricants for bearings	See installation and maintenance manual			Bearing DE side	6306-2RS-C3		
				Bearing NDE side	6206-2RS-C3		
				Average bearing lifetime	40000	h	
			Relubrication interval L1 DE bearing	life	h		
			Relubrication interval L1 NDE bearing	life	h		
			Compensation ring	NDE SIDE	standard		

There may be differences between rating plate and calculated values.

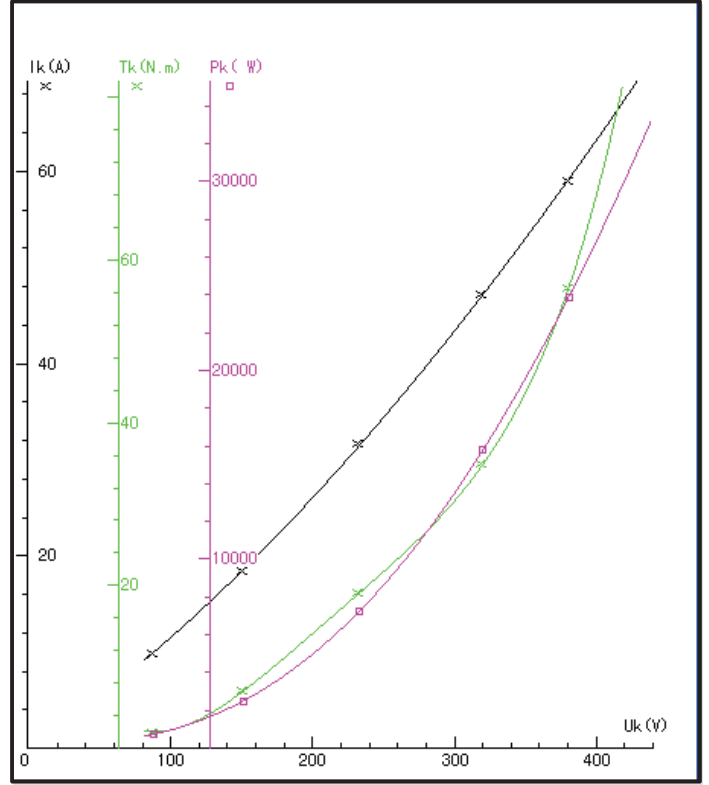
Type: T2A112M-4                      Voltage: 400/690 V  
 Output 4                      KW                      Connection: Δ/Y  
 Frequency: 50                      Hz                      Duty: S1

Test Item		Standard		Result	
		Nominal	Tol		
1	Efficiency %			87,47	
2	Power Factor			0,816	
3	Tem. Rise of Stator Winding K			60,8	
4	Vibration mm/s				
5	Noise Lp dB (A) (Lw)				
6	Breakdown Torque/Rated Torque			3,35	
7	Pullup Torque/Rated Torque			2,31	
8	Locked Rotor Tor./Rated Tor.			2,57	
9	Locked Rotor Cur./Rated Cur.			7,81	
10	High Voltage Test V			1800	
11	Hot Insulation Res. of Stator Winding MΩ			300	
12	Temperature of Bearing °C			54	
13	Unbalance of Current %			2,1	
14	Full Load line Current A			8,093	
15	Full-load input power (W)			4573	
16	Full Load torque Nm			26,471	
17	Max.temp.of enclosure surface °C			52,1	
18	No Load Current A			4,446	
19	Slip %			3,5223	
20	Winding phase resistance 95 ° C			4,123	
21	Stary-load loss (W)			31,137	
22	No-load input power (W)			199,6	
23	Core loss (W)			121,26	
24	Friction and wind age loss(W)			10,406	
25	Locked Rotor Power (W)			26799	
26	StatorI2Rloss (W)			262,66	
27	RotorI2Rloss (W)			147,55	
28	Locked Rotor Voltage 100 V	Current A	11,52	Power W	957,4
50%eff: 88,23                      75%eff: 87,416					

NO LOAD



LOCKED ROTOR



LOAD

