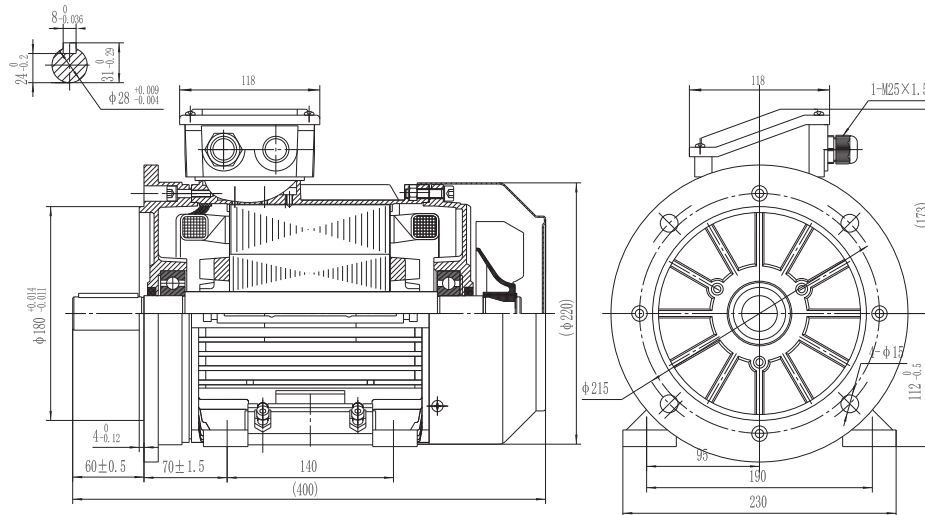


Type TAX 112M1-4

Cod. F112M404,0AB5A00000T

Mounting position

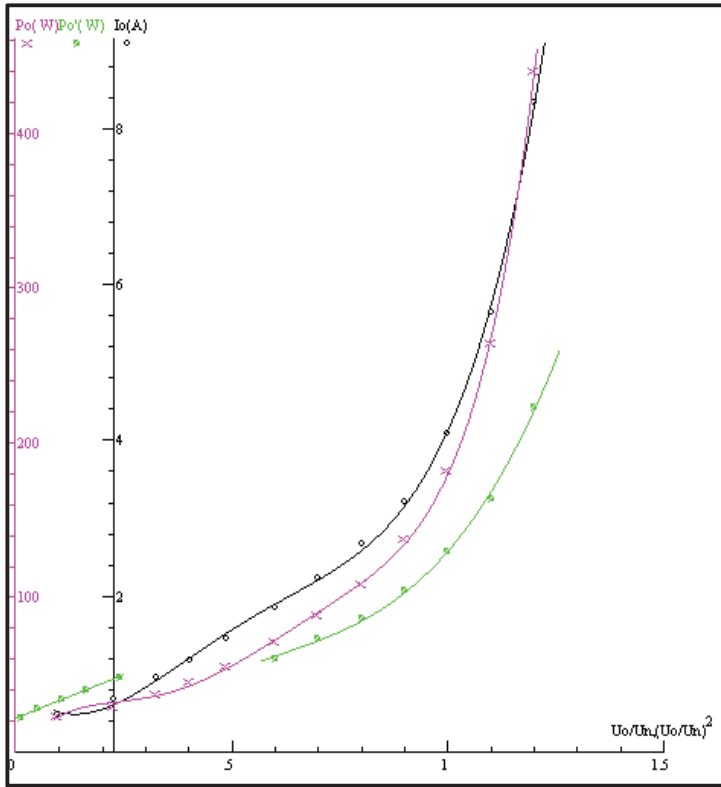
IM	B35
IM	2001



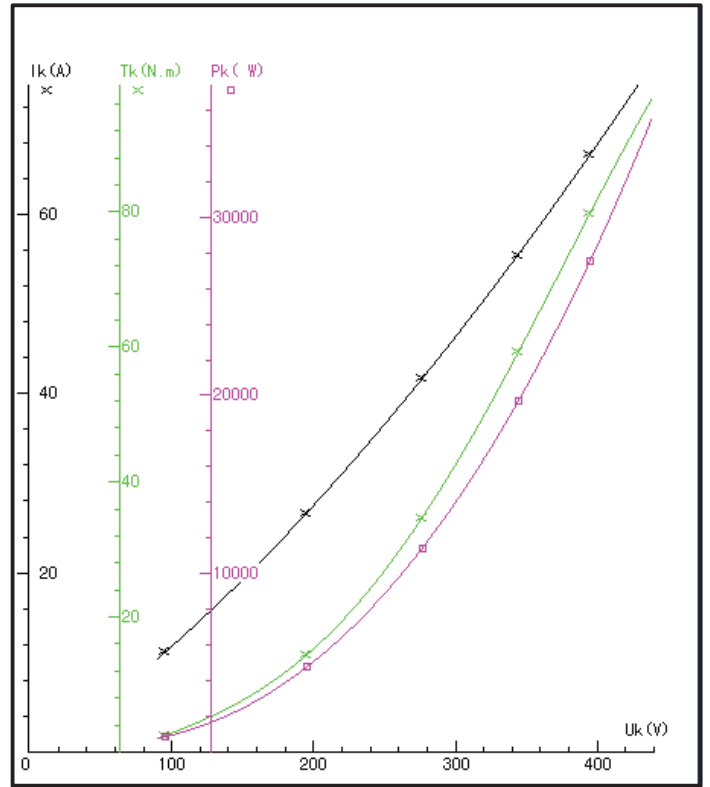
Electrical data				General data			
Rated motor power	4		Kw	Frame size	112		
Rated motor speed	1450		min ⁻¹ 50Hz	Mounting	B35		
	1740		min ⁻¹ 60Hz	Weight	31.3	Kg	
Rated motor frequency	50		Hz	Casing material	Aluminum		
Rated motor voltage(+/-10%)	400		VΔ/50Hz	Protection	IP	55	
	690		VY/50Hz	Insulation class	H		
	480		VΔ/60Hz	Tropicalization	Yes		
	830		VY/60Hz	Vibration class	A		
Rated motor torque	26.36		Nm (Mn)	Duty	S1		
Rated motor current	7.95	VΔ/50Hz	A (In)	Direction of rotation	Bidirectional		
	4.6	VY/50Hz	A (In)	Method of cooling	IC	411	
Starting motor current	8.6		xIn	Cable entry	2-M25x1,5		
Starting motor torque	3.1		xMn	Standards	CSA/UL NEMA PREMIUM		
Breakdown motor torque	3.7		xMn	Execute at Standard	IEC 60034-1 / MG1 CSA/UL		
Starting			D.O.L.	Feet removable	Yes		
Efficiency class	IE3 NEMA PREMIUM			Paintwork	7024	C2 standard	
Efficiency	50Hz	60Hz		Thermal protections	n/a		
	88.6	88.6	100% load				
	88.8	88	75% load				
	88.2	87.3	50% load				
Power factor cosφ	0.82	0.82	100% load				
Mechanical data				Site conditions			
Noise level	LpA	73	dB(A)	Ambient temperature	from -20°C to +40°C		
	LwA	83	dB(A)	Altitude above sea level	1000 m		
Moment of inertia	0.01529		Kgm ²	Bearing DE side	6306-2RS-C3		
Bearings type			NSK	Bearing NDE side	6206-2RS-C3		
Lubricants for bearings	See installation and maintenance manual			Average bearing lifetime	40000	h	
				Relubrication interval L1 DE bearing	life	h	
				Relubrication interval L1 NDE bearing	life	h	
				Compensation ring	NDE SIDE	standard	

There may be differences between rating plate and calculated values.

NO LOAD



LOCKED ROTOR



LOAD

