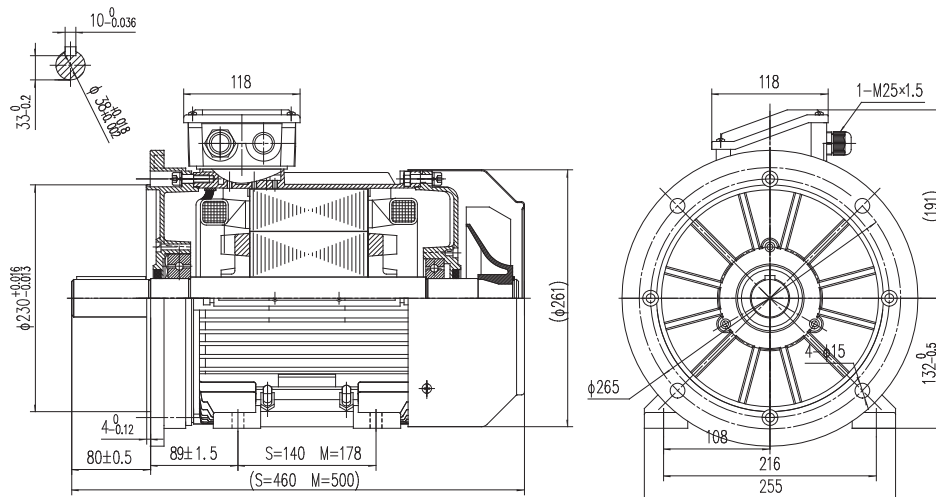


Type T2A 132M3-4

Cod. I132M411,0AB6A00000T

Mounting position

IM	B35
IM	2001



Electrical data			
Rated motor power	11		Kw
Rated motor speed	-		min ⁻¹ 50Hz
	1755		min ⁻¹ 60Hz
Rated motor frequency	60		Hz
Rated motor voltage(+/-10%)	-		VΔ/50Hz
	-		VY/50Hz
	400		VΔ/60Hz
Rated motor torque	59.88		Nm (Mn)
	20.8	VΔ/60Hz	A (In)
Rated motor current	12.02	VY/60Hz	A (In)
	9.3		xIn
Starting motor torque	3.3		xMn
Breakdown motor torque	3.6		xMn
Starting			D.O.L.
Efficiency class	IE2		
Efficiency	50Hz	60Hz	
	-	89.8	100% load
	-	-	75% load
	-	-	50% load
Power factor cosφ	-	0.85	100% load

General data		
Frame size	132	
Mounting	B35	
Weight	-	Kg
Casing material	Aluminum	
Protection	IP	55
Insulation class	H	
Tropicalization	Yes	
Vibration class	A	
Duty	S1	
Direction of rotation	Bidirectional	
Method of cooling	IC	411
Cable entry	2-M25x1,5	
Standards	IEC/DIN/ISO/VDE/EN	
Execute at Standard	IEC 60034-1	
Feet removable	Yes	
Paintwork	7024	C2 standard
Thermal protections	n/a	

Site conditions	
Ambient temperature	from -20°C to +40°C
Altitude above sea level	1000 m

Mechanical data					
Noise level	LpA	63	dB(A)	Bearing DE side	6308-2RS-C3
	LwA	72	dB(A)	Bearing NDE side	6208-2RS-C3
Moment of inertia	0.05392		Kgm ²	Average bearing lifetime	40000 h
Bearings type			NSK	Relubrication interval L1 DE bearing	- h
Lubricants for bearings	See installation and maintenance manual			Relubrication interval L1 NDE bearing	- h
				Compensation ring	NDE SIDE

There may be differences between rating plate and calculated values.

Type Test Report

Type: T2A132M3-4

Voltage: 400/690 V

Output: 11 kW

 Connection: Δ /Y

Frequency: 50 Hz

Duty: S1

Test Item		Result			
1.	Efficiency %	90.5			
2.	Power Factor	0.853			
3.	Tem. Rise of Stator Winding K	66			
4.	Vibration mm/s				
5.	Noise Lp dB (A) (Lw)				
6.	Breakdown Torque/Rated Torque	3.53			
7.	Pullup Torque/Rated Torque	1.48			
8.	Locked Rotor Tor./Rated Tor.	3.31			
9.	Locked Rotor Cur./Rated Cur.	9.22			
10.	High Voltage Test V	1800			
11.	Hot Insulation Res. of Stator Winding M Ω	300.			
12.	Temperature of Bearing $^{\circ}$ C	71			
13.	Unbalance of Current %	1.67			
14.	Full Load line Current A	20.57			
15.	Full Load input W	12153			
16.	Full Load torque Nm	72.13			
17.	Max.temp.of enclosure surface $^{\circ}$ C	68.2			
18.	No Load Current A	8.727			
19.	Slip %	2.627			
20.	Stator Winding phase resistance Ω (95 $^{\circ}$ C)	1.0266			
21.	Stray Load Loss W	125.2			
22.	No Load Stator Power W	369.0			
23.	Core Loss W	257.4			
24.	Friction & Windage Loss W	41.38			
25.	Locked Rotor Power W	77420			
26.	Stator I ii R Loss W	427.6			
27.	Rotor I ii R Loss W	301.3			
28.	Locked Rotor Voltage 100.0V	Current A	28.74	Power W	1940
Remark: <div style="display: flex; justify-content: space-around; margin-top: 10px;"> 75%eff: 91.21 50%eff: 90.82 </div>					

Check:

Operator:

Torque - Speed Curve

Type: T2A132M3-4

Output: 11 kW

Frequency: 50 Hz

Voltage: 400/690 V

Connection: Δ/Y

