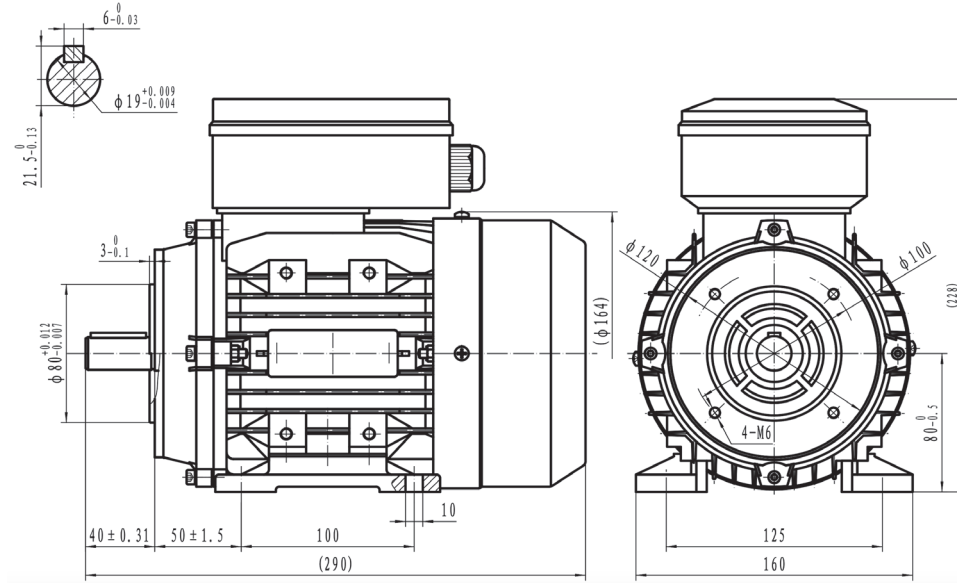


Type MY2 801-4

Cod. 4080Y40,55BM5M0000T

Mounting position

IM	B34
IM	2101



Electrical data			
Rated motor power	0.55		Kw
Rated motor speed	1420		min <sup>-1</sup> 50Hz
Rated motor frequency	50		Hz
Rated motor voltage(+/-10%)	230		V/50Hz
Capacitor	25µf/450V		µF/V
Rated motor torque	3.7		Nm (Mn)
Rated motor current	3.13	V/50Hz	A (In)
Starting motor current	3.8		xIn
Starting motor torque	0.33		xMn
Breakdown motor torque	1.7		xMn
Starting			D.O.L.
Efficiency class	IE2		
Efficiency	50Hz	60Hz	100% load
	77.1	-	75% load
	73.7	-	50% load
Power factor cosφ	0.99	-	100% load

General data			
Frame size	80		
Mounting	B34		
Weight	-		Kg
Casing material	Aluminum		
Protection	IP	55	
Insulation class	H		
Tropicalization	Yes		
Vibration class	A		
Duty	S1		
Direction of rotation	CW		
Method of cooling	IC	411	
Cable entry	-		
Standards	IEC/DIN/ISO/VDE/EN		
Execute at Standard	IEC 60034-1		
Feet removable	Yes		
Paintwork	7024	C2 standard	
Thermal protections	n/a		

Site conditions	
Ambient temperature	from -20°C to +40°C
Altitude above sea level	1000 m

Mechanical data					
Noise level	LpA	70	dB(A)	Bearing DE side	6204-2RS-C3
	LwA	79	dB(A)	Bearing NDE side	6204-2RS-C3
Moment of inertia	0.00156		Kgm <sup>2</sup>	Average bearing lifetime	40000 h
Bearings type			NSK	Relubrication interval L1 DE bearing	life h
Lubricants for bearings	See installation and maintenance manual			Relubrication interval L1 NDE bearing	life h
				Compensation ring	NDE SIDE

There may be differences between rating plate and calculated values.