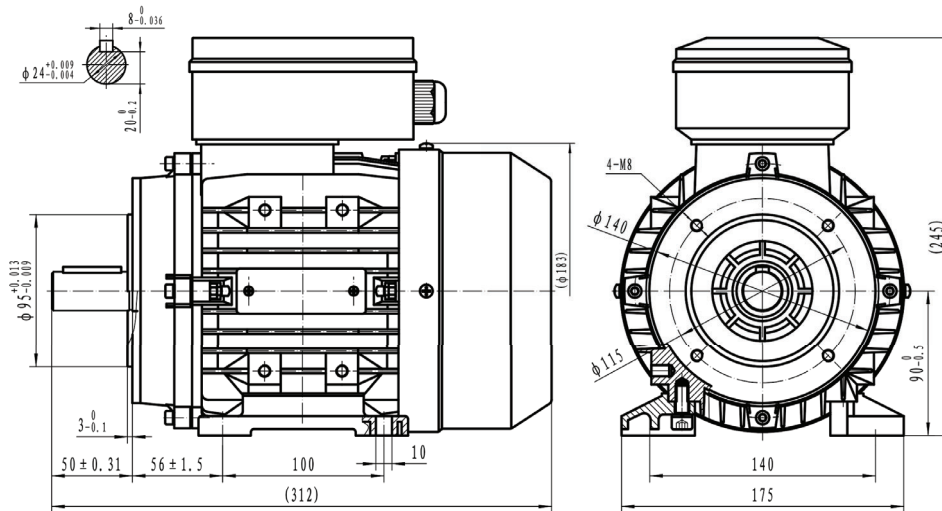


Type MY2 90S-4

Cod. 4090S401,1BM5M0000T

Mounting position

IM	B34
IM	2101



Electrical data			
Rated motor power	1.1		Kw
Rated motor speed	1435		min ⁻¹ 50Hz
Rated motor frequency	50		Hz
Rated motor voltage(+/-10%)	230		V/50Hz
Capacitor	40µf/450V		µF/V
Rated motor torque	7.32		Nm (Mn)
Rated motor current	5.93	V/50Hz	A (In)
Starting motor current	3.8		xIn
Starting motor torque	0.37		xMn
Breakdown motor torque	1.75		xMn
Starting			D.O.L.
Efficiency class	IE2		
Efficiency	50Hz	60Hz	
	81.4	-	100% load
	78.8	-	75% load
	71	-	50% load
Power factor cosφ	0.99	-	100% load

General data			
Frame size	90		
Mounting	B34		
Weight	-		Kg
Casing material	Aluminum		
Protection	IP	55	
Insulation class	H		
Tropicalization	Yes		
Vibration class	A		
Duty	S1		
Direction of rotation	CW		
Method of cooling	IC	411	
Cable entry	-		
Standards	IEC/DIN/ISO/VDE/EN		
Execute at Standard	IEC 60034-1		
Feet removable	Yes		
Paintwork	7024	C2 standard	
Thermal protections	n/a		

Site conditions	
Ambient temperature	from -20°C to +40°C
Altitude above sea level	1000 m

Mechanical data							
Noise level	LpA	70	dB(A)	Bearing DE side	6205-2RS-C3		
	LwA	80	dB(A)	Bearing NDE side	6205-2RS-C3		
Moment of inertia	0.00289		Kgm ²	Average bearing lifetime	40000 h		
Bearings type			NSK	Relubrication interval L1 DE bearing	life h		
Lubricants for bearings	See installation and maintenance manual			Relubrication interval L1 NDE bearing	life h		
				Compensation ring		NDE SIDE	standard

There may be differences between rating plate and calculated values.