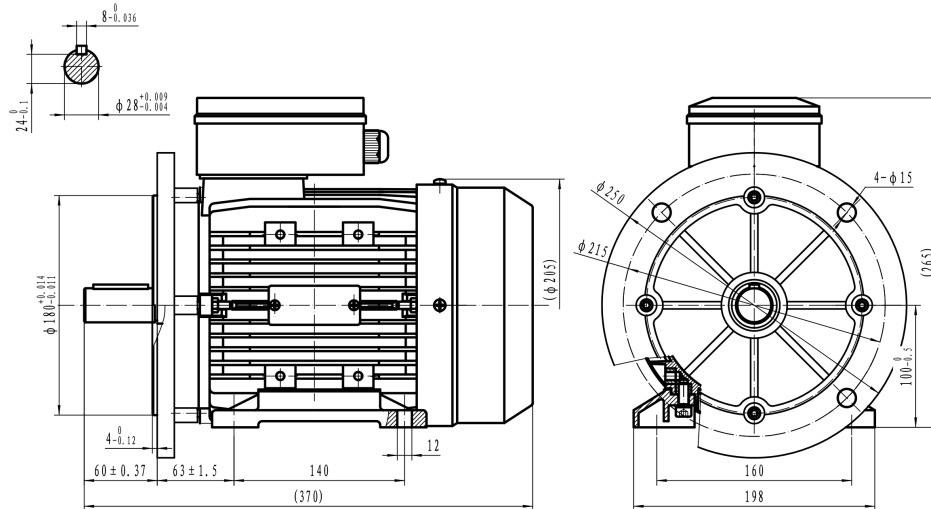


Type MY2 100L1-4

Cod. 4100L402,2AM5M00000T

Mounting position

IM	B35
IM	2001



Electrical data			
Rated motor power	2.2		Kw
Rated motor speed	1339		min ⁻¹ 50Hz
Rated motor frequency	50		Hz
Rated motor voltage(+/-10%)	230		V/50Hz
Start capacitor			μF/V
Run capacitor	70μf/450V		μF/V
Rated motor torque	15.7		Nm (Mn)
Rated motor current	12.2	V/50Hz	A (In)
Starting motor current	5.328		xIn
Starting motor torque	0.31		xMn
Breakdown motor torque	1.8		xMn
Starting			D.O.L.
Efficiency class	IE2		
Efficiency	50Hz	60Hz	
	84.3	-	100% load
	-	-	75% load
	-	-	50% load
Power factor cosφ	0.93	-	100% load

General data		
Frame size	100	
Mounting	B35	
Weight	-	Kg
Casing material	Aluminum	
Protection	IP	55
Insulation class	H	
Tropicalization	Yes	
Vibration class	A	
Duty	S1	
Direction of rotation	CW	
Method of cooling	IC	411
Cable entry	-	
Standards	IEC/DIN/ISO/VDE/EN	
Execute at Standard	IEC 60034-1	
Feet removable	Yes	
Paintwork	7024	C2 standard
Thermal protections	n/a	

Site conditions	
Ambient temperature	from -20°C to +40°C
Altitude above sea level	1000 m

Mechanical data					
Noise level	LpA	70	dB(A)	Bearing DE side	6206-2RS-C3
	LwA	80	dB(A)	Bearing NDE side	6206-2RS-C3
Moment of inertia	0.00805		Kgm ²	Average bearing lifetime	40000 h
Bearings type			NSK	Relubrication interval L1 DE bearing	life h
Lubricants for bearings	See installation and maintenance manual			Relubrication interval L1 NDE bearing	life h
				Compensation ring	NDE SIDE

There may be differences between rating plate and calculated values.