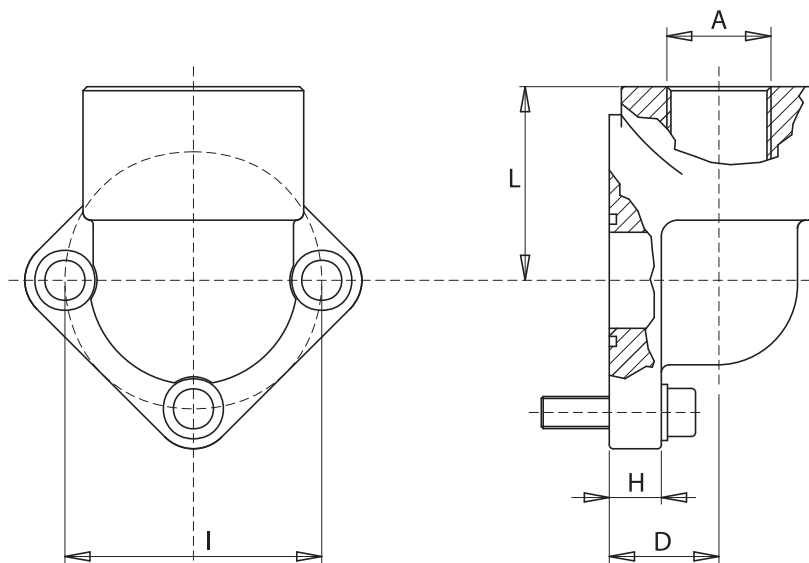


Materiale: acciaio (zincato bianco)  
 Material: steel (white zinc plated)



Tipo Type	Gruppo pompa Pump size	A	I	D	H	L	N. fori Fixing	Viti Screws holes	O-Rings
AF.00930	0.5	3/8"	26	17	10	27	3	M5x20	2056
AF.00950	0.5	1/2"	26	17	10	27	3	M5x20	2056
AF.01350	1	3/8"	30	17	10	27	3	M6x20	121
AF.01440	1	1/2"	30	17	10	27	3	M6x20	121
AF.01490	2	3/8"	4	21	11	36	3	M8x25	132
AF.01550	2	1/2"	40	21	11	36	3	M8x25	132
AF.01640	2	3/4"	40	21	11	36	3	M8x25	132
AF.01800	3	3/4"	51	27	15	46	3	M10x30	4118
AF.01840	3	1"	51	27	15	46	3	M10x30	4118
AF.01900	3	3/4"	56	27	15	46	3	M10x30	4118
AF.02200	3	1"	56	27	15	46	3	M10x30	4118
AF.02300	3.5	1"	62	36	16	56	3	M10x30	4150
AF.02400	3.5	1 1/4"	62	36	16	56	3	M10x30	4150
AF.02310	3.5	1"	62	36	16	56	3	M12x35	4150
AF.02410	3.5	1 1/4"	62	36	16	56	3	M12x35	4150
AF.02490	4	1 1/4"	72.5	37	17	56	3	M12x35	153
AF.02500	4	1 1/2"	72.5	37	17	56	3	M12x35	153
AF.02600	-	2 1/2"	92	52	18	75	3	M12x40	4275

AF.00930 T/M AF.01640 300 BAR  
 AF.01800 T/M AF.02200 250 BAR  
 AF.02300 T/M AF.02500 100 BAR  
 AF.02600 80 BAR