



## Mounting elements for hydraulic accumulators

### 1. DESCRIPTION

#### 1.1. FUNCTION

HYDAC mounting elements enable simple and secure mounting of all hydraulic accumulators. In addition to the standard product range described below, mounting technology for specific customer requirements and applications is available on request. For further information and notes, see:

- HYDAC Accessories product catalogue  
No. 61.000



#### Quick and easy - Accu-MOUNT

You can use our tool to find the matching accumulator mount, see:  
[www.hydac.com/Service/Onlinetools](http://www.hydac.com/Service/Onlinetools)

#### 1.2. APPLICATION

The optimum mounting type strongly depends on the use, type and size of the accumulator. Clamps, consoles and accumulator mounting sets are all possible options. As they are safety equipment, our mounting elements must only be attached and installed by trained staff.

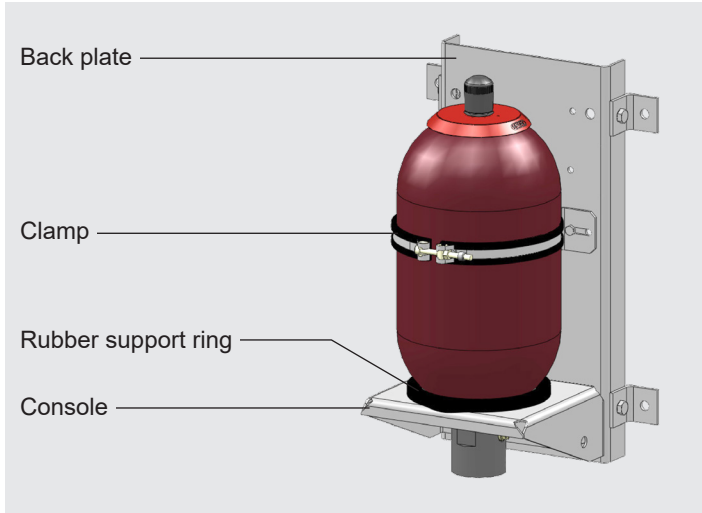
The clamp quantities for bladder and piston accumulators given in the following overviews are HYDAC recommendations that take static use and vertical mounting into account including the corresponding mounting element (e.g. HYDAC consoles).

More information on HYDAC hydraulic accumulators is available in the following catalogue sections:

- Bladder accumulators Low pressure  
No. 3.202
- Bladder accumulators Standard design  
No. 3.201
- Piston accumulators Standard design  
No. 3.301
- Piston accumulators SK280  
No. 3.303
- Diaphragm accumulators  
No. 3.100
- Hydraulic accumulators with back-up nitrogen bottles  
No. 3.553

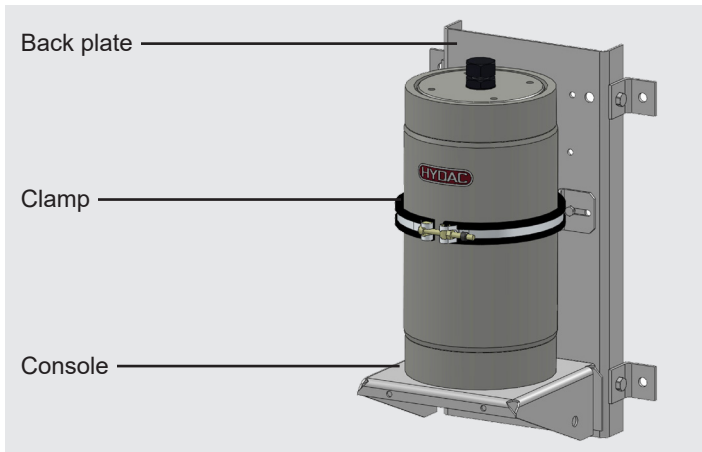
### ■ Bladder accumulators

Clamps, consoles and accumulator mounting sets can be used for optimum mounting of the bladder accumulator. The bladder accumulator console is equipped with a rubber support ring.



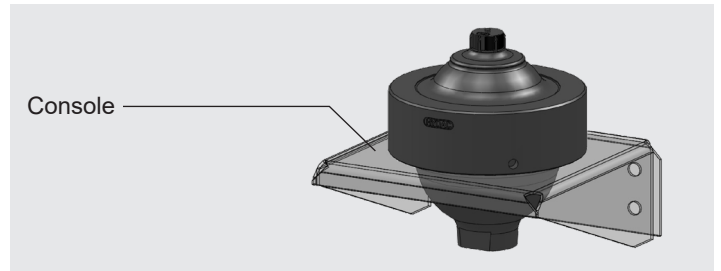
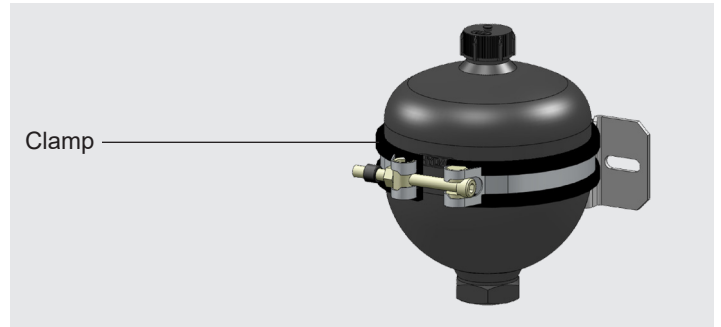
### ■ Piston accumulators

Clamps, consoles and accumulator mounting sets can also be used for piston accumulators. In this case, the console is not equipped with a rubber support ring. Please request the accumulator mounting set for piston accumulators separately, as the design may vary considerably depending on the accumulator's nominal volume.



### ■ Diaphragm accumulators

Weld type diaphragm accumulators are fastened with an accumulator clamp and screw type diaphragm accumulators are fastened with a console. Accumulator mounting sets are not used for diaphragm accumulators.



### ■ Materials

The following materials are available as standard:

#### Clamp

|                 |                  |
|-----------------|------------------|
| Fastening, base | zinc-plated      |
| Band clamp      | stainless steel  |
| Insert          | PE/PP/NBR        |
|                 | see section 3.1. |

#### Console

|                                   |             |
|-----------------------------------|-------------|
| Rubber support ring <sup>1)</sup> | zinc-plated |
|                                   | NBR         |

#### Accumulator mounting set

|            |             |
|------------|-------------|
| Clamp      | see above   |
| Console    | see above   |
| Back plate | zinc-plated |

Other materials (e.g. stainless steel) are available on request.

<sup>1)</sup> Only for bladder accumulators



## 2.2. PISTON ACCUMULATORS

The following table shows the recommended mounting type for each piston accumulator type. The clamp is selected on the basis of the accumulator's external diameter. The number of clamps can vary depending on the requirements and on the length of the hydraulic accumulator and is a HYDAC recommendation (see section 1.2.).

To prevent deformation of the cylinder, clamps should preferably be mounted near the end caps.

| Designation               | Part no. | Piston diameter [mm]               |    |    |    |     |     |     |     |     |     |     |     |     |     |     |     |       |   |       |  |
|---------------------------|----------|------------------------------------|----|----|----|-----|-----|-----|-----|-----|-----|-----|-----|-----|-----|-----|-----|-------|---|-------|--|
|                           |          | 50                                 |    | 60 |    | 80  |     | 100 |     | 125 |     | 150 |     | 180 |     | 200 |     | 250   |   | > 250 |  |
|                           |          | Accumulator external diameter [mm] |    |    |    |     |     |     |     |     |     |     |     |     |     |     |     |       |   |       |  |
|                           |          | 60                                 | 75 | 80 | 95 | 100 | 120 | 125 | 150 | 160 | 175 | 180 | 210 | 220 | 235 | 286 | 300 | > 300 |   |       |  |
| <b>Clamps SK280</b>       |          |                                    |    |    |    |     |     |     |     |     |     |     |     |     |     |     |     |       |   |       |  |
| HRGKSM 0 R 58-61/62 ST    | 3018442  | •                                  |    |    |    |     |     |     |     |     |     |     |     |     |     |     |     |       |   |       |  |
| HRGKSM 0 R 73-76/76 ST    | 444912   |                                    | •  |    |    |     |     |     |     |     |     |     |     |     |     |     |     |       |   |       |  |
| HRGKSM 0 R 92-95/96 ST    | 444995   |                                    |    |    | •  |     |     |     |     |     |     |     |     |     |     |     |     |       |   |       |  |
| HRGKSM 1 R 119-127/124 ST | 444505   |                                    |    |    |    |     | •   |     |     |     |     |     |     |     |     |     |     |       |   |       |  |
| HRGKSM 1 R 146-154/151 ST | 444321   |                                    |    |    |    |     |     |     | •   |     |     |     |     |     |     |     |     |       |   |       |  |
| HRGKSM 2 R 172-180/178 ST | 444402   |                                    |    |    |    |     |     |     |     |     | •   |     |     |     |     |     |     |       |   |       |  |
| <b>Clamps SK210/350</b>   |          |                                    |    |    |    |     |     |     |     |     |     |     |     |     |     |     |     |       |   |       |  |
| HRGKSM 0 R 77-80/80 ST    | 3018445  |                                    |    | •  |    |     |     |     |     |     |     |     |     |     |     |     |     |       |   |       |  |
| HRGKSM 0 R 96-100/100 ST  | 444953   |                                    |    |    |    | •   |     |     |     |     |     |     |     |     |     |     |     |       |   |       |  |
| HyRac 121-129/133 H8 ST   | 444906   |                                    |    |    |    |     |     | •   |     |     |     |     |     |     |     |     |     |       |   |       |  |
| HyRac 160-167/169 H5 ST   | 444910   |                                    |    |    |    |     |     |     |     | •   |     |     |     |     |     |     |     |       |   |       |  |
| HyRac 176-185/187 H5 ST   | 445044   |                                    |    |    |    |     |     |     |     |     |     | •   |     |     |     |     |     |       |   |       |  |
| HyRac 209-217/223 H10 ST  | 445046   |                                    |    |    |    |     |     |     |     |     |     |     | •   |     |     |     |     |       |   |       |  |
| HyRac 216-224/226 H5 ST   | 445047   |                                    |    |    |    |     |     |     |     |     |     |     |     | •   |     |     |     |       |   |       |  |
| On request                | –        |                                    |    |    |    |     |     |     |     |     |     |     |     |     |     | •   |     |       |   |       |  |
| HSS 286                   | 237395   |                                    |    |    |    |     |     |     |     |     |     |     |     |     |     |     | •   |       |   |       |  |
| HSS 310                   | 237389   |                                    |    |    |    |     |     |     |     |     |     |     |     |     |     |     |     |       | • |       |  |
| <b>Consoles</b>           |          |                                    |    |    |    |     |     |     |     |     |     |     |     |     |     |     |     |       |   |       |  |
| KBK 126                   | 290530   |                                    |    |    |    |     |     | 1   |     |     |     |     |     |     |     |     |     |       |   |       |  |
| KBK 167                   | 238526   |                                    |    |    |    |     |     |     |     |     | 1   | 1   |     |     |     |     |     |       |   |       |  |
| KBK 219                   | 238042   |                                    |    |    |    |     |     |     |     |     |     |     | 1   | 1   |     |     |     |       |   |       |  |
| KBK 310                   | 238043   |                                    |    |    |    |     |     |     |     |     |     |     |     |     |     |     | 1   | 1     |   |       |  |
| On request                | –        |                                    |    |    |    |     |     |     |     |     |     |     |     |     |     |     | 1   |       |   |       |  |

• = the recommended number of clamps is available on request or from our online tool Accu-MOUNT

## 2.3. DIAPHRAGM ACCUMULATORS

### Weld type

| Clamps                   | Part no. | Accumulator type |
|--------------------------|----------|------------------|
| HRGKSM 0 R 62-65/65 ST   | 444911   | SBO250-0.075E    |
| HRGKSM 0 R 73-76/76 ST   | 444912   | SBO210-0.16E     |
| HRGKSM 0 R 77-80/80 ST   | 3018445  | SBO160-0.16E     |
|                          |          | SBO300-0.16E     |
| HRGKSM 0 R 92-95/96 ST   | 444995   | SBO210-0.32E     |
|                          |          | SBO300-0.32E     |
| HyRac 100-105/106 H3 ST  | 444904   | SBO160-0.5E      |
|                          |          | SBO210-0.5E      |
| HyRac 106-114/115 H3 ST  | 444905   | SBO100-0.7E      |
|                          |          | SBO140-0.75E     |
| HyRac 110-118/124 H10 ST | 445042   | SBO330-0.6E      |
|                          |          | SBO210-0.75E     |
| HyRac 121-129/133 H8 ST  | 444906   | SBO250-0.75E     |
|                          |          | SBO250-1E        |
|                          |          | SBO330-0.75E     |
|                          |          | SBO330-1E        |
|                          |          | SBO350-0.6E      |
| HyRac 133-142/142 H3 ST  | 444907   | SBO200-1E        |
| HyRac 143-151/151 H3 ST  | 444908   | SBO140-1.4E      |
|                          |          | SBO210-1.4E      |
| HyRac 152-159/160 H3 ST  | 444909   | SBO250-1.4E      |
|                          |          | SBO250-2E        |
|                          |          | SBO330-1.4E      |
| HyRac 160-167/169 H5 ST  | 444910   | SBO100-2E        |
|                          |          | SBO210-2E        |
| HyRac 167-175/178 H5 ST  | 445043   | SBO210-2.8E      |
|                          |          | SBO250-2.8E      |
|                          |          | SBO250-3.5       |
|                          |          | SBO330-2E        |
|                          |          | SBO330-2.8E      |
|                          |          | SBO330-3.5E      |

### Screw type

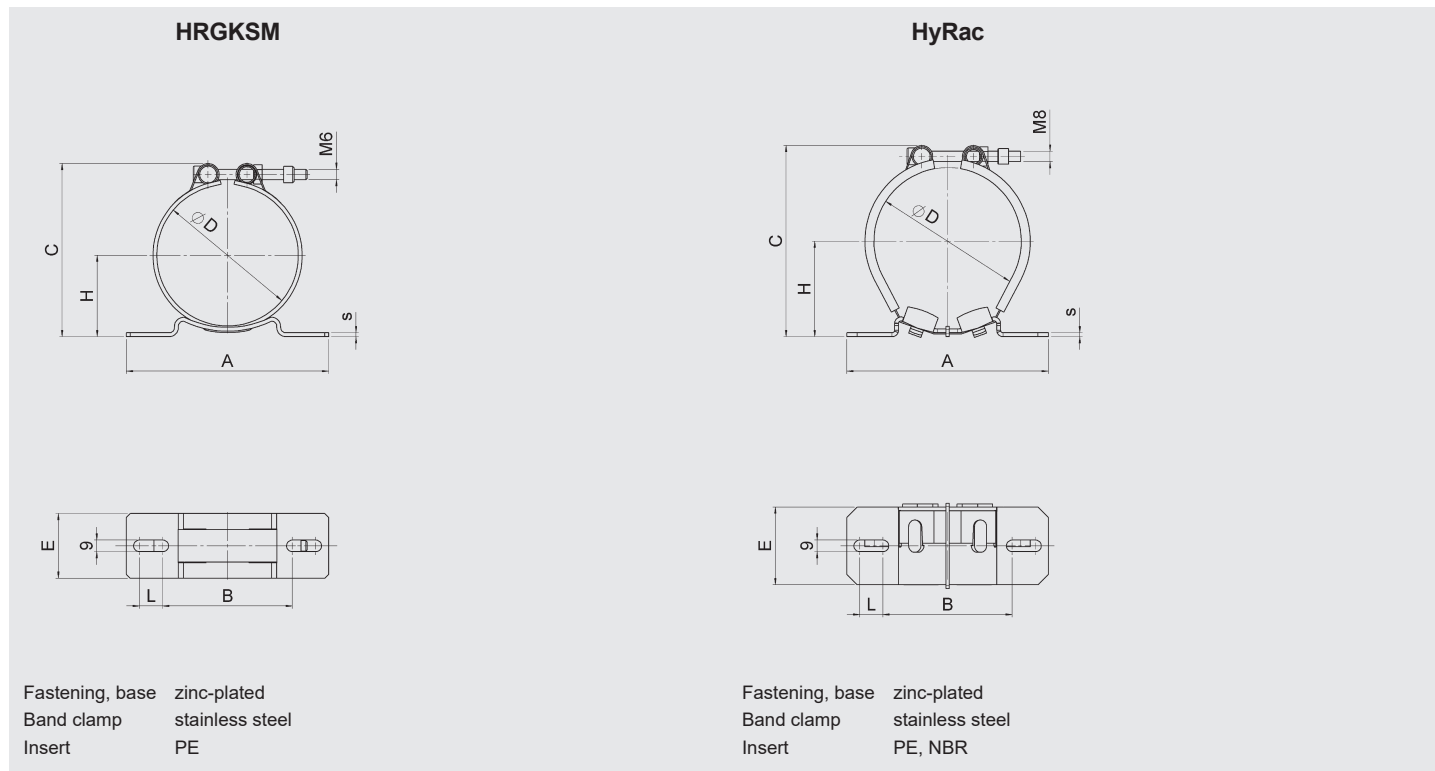
| Consoles | Part no. | Accumulator type |
|----------|----------|------------------|
| KMS 210  | 358989   | SBO400-1.3A6     |
| KMS 220  | 359922   | SBO100-2A6       |
|          |          | SBO250-2A6       |
| KMS 280  | 359925   | SBO400-2.8A6     |
| KMS 310  | 359927   | SBO400-4A6       |

## 2.4. SILENCERS

| Clamps                    | Part no. | Series |     |        |     |
|---------------------------|----------|--------|-----|--------|-----|
|                           |          | SD330  |     | SD280K |     |
|                           |          | 4.7    | 0.4 | 2.4    | 4.4 |
| HyRac 167-175/178 H5 ST   | 445043   | •      |     |        |     |
| HRGKSM 0 R 58-61/62 ST    | 3018442  |        | •   |        |     |
| HRGKSM 1 R 119-127/124 ST | 444505   |        |     | •      |     |
| HRGKSM 1 R 146-154/151 ST | 444321   |        |     |        | •   |

### 3. TECHNICAL SPECIFICATIONS

#### 3.1. CLAMPS

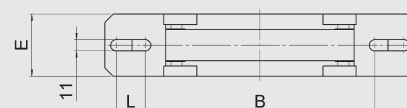
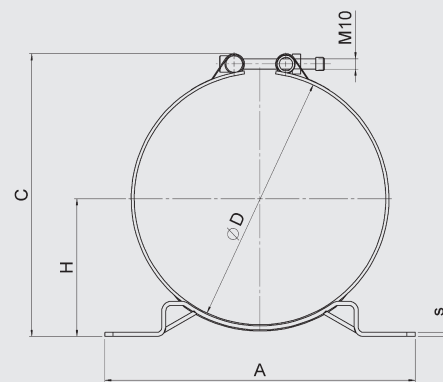
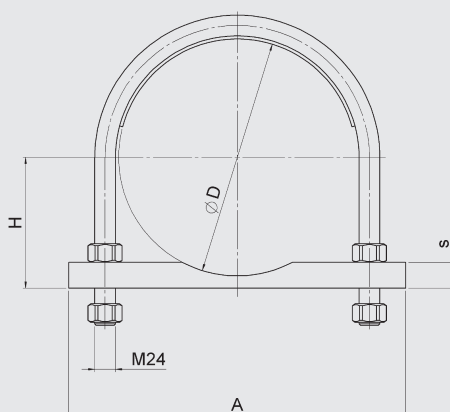
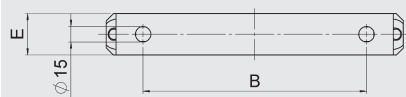
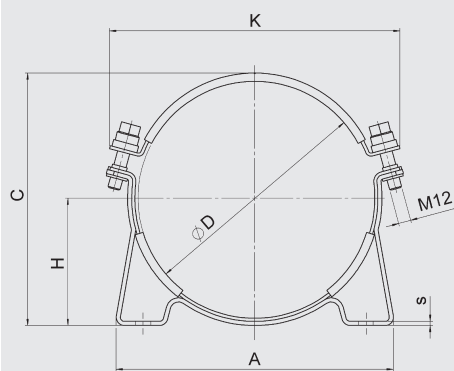


| Designation               | Part no. | A<br>[mm] | B<br>[mm] | C max.<br>[mm] | ØD (from - to)<br>[mm] | H (from - to)<br>[mm] | E<br>[mm] | L<br>[mm] | s<br>[mm] | K max.<br>[mm] | Weight<br>[kg] |
|---------------------------|----------|-----------|-----------|----------------|------------------------|-----------------------|-----------|-----------|-----------|----------------|----------------|
| HRGKSM 0 R 58-61/62 ST    | 3018442  | 120       | 85        | 83             | 58 - 61                | 37.3 - 38.8           | 40        | 8         | 3         | -              | 0.16           |
| HRGKSM 0 R 62-65/65 ST    | 444911   |           |           | 85             | 62 - 65                | 38 - 39.5             |           |           |           |                | 0.2            |
| HRGKSM 0 R 73-76/76 ST    | 444912   |           |           | 96             | 73 - 76                | 43.5 - 45             |           |           |           |                | 0.22           |
| HRGKSM 0 R 77-80/80 ST    | 3018445  |           |           | 100            | 77 - 80                | 45.5 - 47             |           |           |           |                | 0.22           |
| HRGKSM 0 R 92-95/96 ST    | 444995   |           |           | 115            | 92 - 95                | 52.5 - 54             |           |           |           |                | 0.24           |
| HRGKSM 0 R 96-100/100 ST  | 444953   |           |           | 120            | 96 - 100               | 54.5 - 56.5           |           |           |           |                | 0.24           |
| HRGKSM 1 R 119-127/124 ST | 444505   | 156       | 100       | 154            | 119 - 127              | 66.8 - 70.8           | 50        | 18        | -         | -              | 0.36           |
| HRGKSM 1 R 146-154/151 ST | 444321   |           |           | 181            | 146 - 154              | 80.5 - 84.5           |           |           |           |                | 0.39           |
| HRGKSM 2 R 172-180/178 ST | 444402   | 236       | 152       | 209            | 172 - 180              | 94.6 - 98.6           | 60        | 32        | 4         | -              | 0.53           |
| HRGKSM 3 R 242-253/250 ST | 3302566  | 300       | 222       | 280            | 242 - 253              | 133.5 - 139           |           |           |           |                | 0.99           |
| HRGKSM 4 R 352-363/360 ST | 444795   | 400       | 322       | 398            | 352 - 363              | 187.7 - 193.2         |           |           |           |                | 1.49           |
| HyRac 100-105/106 H3 ST   | 444904   | 156       | 100       | 131            | 100 - 105              | 58.8 - 61.3           |           |           |           |                | 60             |
| HyRac 106-114/115 H3 ST   | 444905   |           |           | 143            | 106 - 114              | 62.5 - 66             | 0.41      |           |           |                |                |
| HyRac 110-118/124 H10 ST  | 445042   |           |           | 148            | 110 - 118              | 72 - 76               | 0.42      |           |           |                |                |
| HyRac 121-129/133 H8 ST   | 444906   |           |           | 165            | 121 - 129              | 76 - 82               | 0.43      |           |           |                |                |
| HyRac 133-142/142 H3 ST   | 444907   |           |           | 170            | 133 - 142              | 76.5 - 81             | 0.44      |           |           |                |                |
| HyRac 143-151/151 H3 ST   | 444908   |           |           | 179            | 143 - 151              | 82 - 86               | 0.45      |           |           |                |                |
| HyRac 152-159/160 H3 ST   | 444909   |           |           | 191            | 152 - 158              | 87 - 91               | 0.5       |           |           |                |                |
| HyRac 160-167/169 H5 ST   | 444910   |           |           | 236            | 152                    | 197                   | 160 - 167 | 89 - 93   | 60        | 32             |                |
| HyRac 167-175/178 H5 ST   | 445043   | 207       | 167 - 175 |                |                        | 92.5 - 96.5           | 0.72      |           |           |                |                |
| HyRac 176-185/187 H5 ST   | 445044   | 241       | 176 - 185 |                |                        | 97 - 102.5            | 0.75      |           |           |                |                |
| HyRac 209-217/223 H10 ST  | 445046   | 255       | 209 - 217 |                |                        | 122.5 - 126.5         | 0.77      |           |           |                |                |
| HyRac 216-224/226 H5 ST   | 445047   | 247       | 216 - 224 |                |                        | 123.7 - 127.7         | 0.77      |           |           |                |                |
| HyRac 223-230/231 H3 ST   | 445048   | 257       | 223 - 230 |                |                        | 120.5 - 123.5         | 0.78      |           |           |                |                |
| HyRac 225-234/234 H3 ST   | 445049   | 265       | 225 - 234 |                |                        | 123 - 127.5           | 0.79      |           |           |                |                |

### HSS

### HRRBS

### HRVMS



Clamp zinc-plated

Insert NBR

Clamp zinc-plated

Insert PP

Clamp zinc-plated  
Clamping band stainless steel  
Insert PE

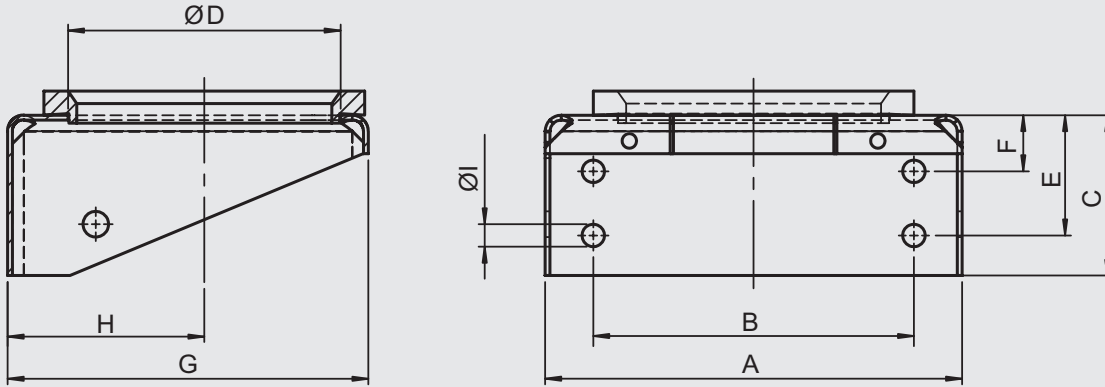
| Designation                           | Part no.             | A [mm] | B [mm] | C max. [mm] | ØD (from - to) [mm] | H (from - to) [mm] | E [mm] | L [mm] | s [mm] | K max. [mm] | Weight [kg] |
|---------------------------------------|----------------------|--------|--------|-------------|---------------------|--------------------|--------|--------|--------|-------------|-------------|
| HSS 222/229                           | 235224 <sup>1)</sup> | 270    | 216    | 244         | 226                 | 123                | 40     | -      | 4      | 295         | 1.7         |
| HSS 242                               | 362712               | 268    | 216    | 265         | 242                 | 136                |        |        |        | 305         | 1.7         |
| HSS 286                               | 237395               | 332    | 280    | 314         | 286                 | 163                |        |        |        | 355         | 2.1         |
| HSS 310                               | 237389               | 332    | 280    | 333         | 310                 | 170                |        |        |        | 380         | 2.1         |
| HRRBS 14 L 267 PP ST ZN               | 431645               | 370    | 302    | -           | 267 - 273           | 145.5 - 148.5      | 50     | -      | 25     | -           | 2.66        |
| HRRBS 17 B1L 406 PP ST M ZN B145 H525 | 3434519              | 540    | 440    | -           | 406.4 - 419         | 218.2 - 224.5      | 60     | -      | 30     | -           | 6.15        |
| HRVMS 3 R 248-259/256 ST              | 3489871              | 300    | 222    | 292         | 248 - 259           | 135.5 - 141        | 60     | 28     | 4      | -           | 1.05        |
| HRVMS 3 R 268-279/276 ST              | 3559057              |        |        | 311         | 268 - 279           | 144.4 - 149.5      |        |        |        | -           | 1.1         |

<sup>1)</sup> Alternative to part no. 445048 and 445049

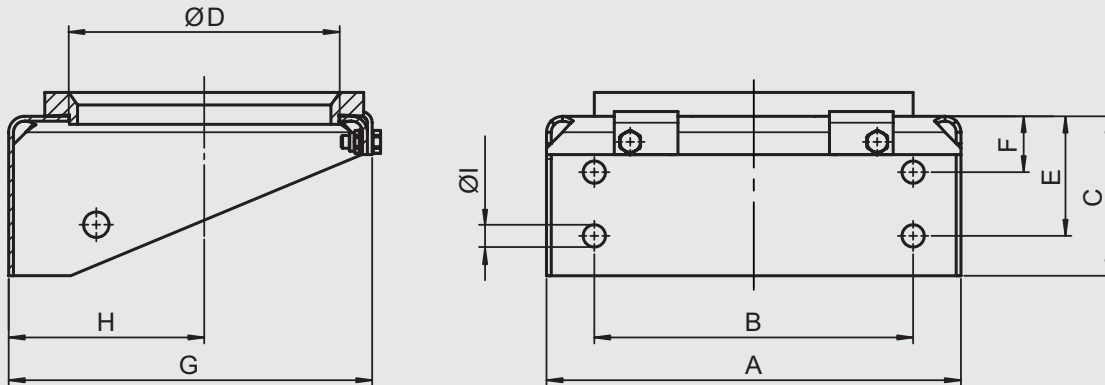
## 3.2. CONSOLES

### 3.2.1 Consoles for bladder accumulators and gas pressure vessels

#### KBK

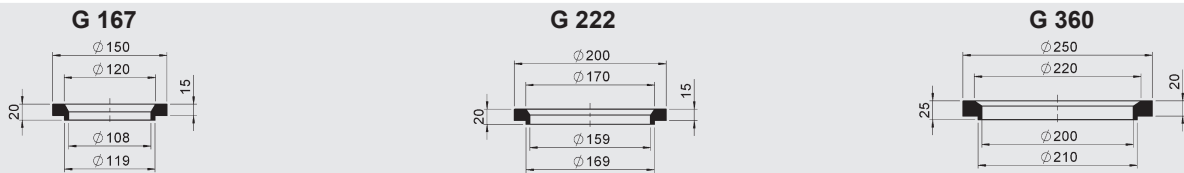


#### KHF



| Designation             | Part no. | A [mm] | B [mm] | C [mm] | ØD [mm] | E [mm] | F [mm] | G [mm] | H [mm] | ØI [mm] | Weight [kg] |
|-------------------------|----------|--------|--------|--------|---------|--------|--------|--------|--------|---------|-------------|
| KBK 167/G               | 2107989  | 260    | 200    | 100    | 120     | 75     | 35     | 225    | 92     | 14      | 2.5         |
| KBK 222/G               | 2100651  | 260    | 200    | 100    | 170     | 75     | 35     | 225    | 123    |         | 2.4         |
| KBK 360/G               | 2107990  | 390    | 270    | 240    | 211     | 180    | 60     | 390    | 195    | 22      | 20.1        |
| KHF 210/G <sup>1)</sup> | 3111594  | 260    | 200    | 100    | 170     | 75     | 35     | 230    | 123    | 14      | 2           |

#### Rubber support ring



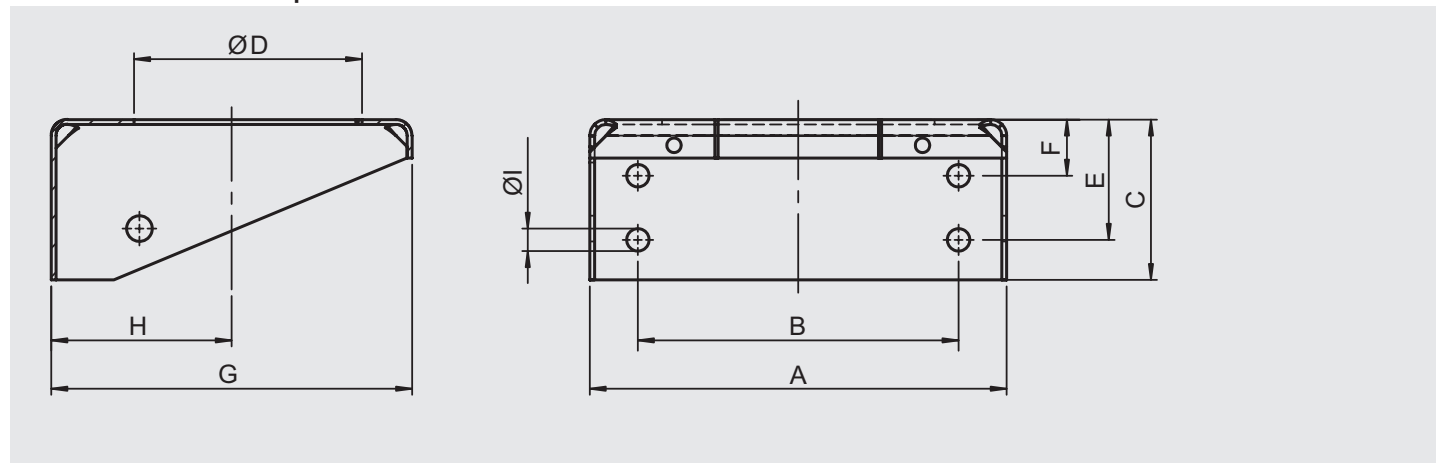
#### Spare parts

| Designation         | Part no. |
|---------------------|----------|
| KBK 167             | 238526   |
| G 167               | 236997   |
| KBK 222             | 3002160  |
| G 222 <sup>2)</sup> | 236996   |
| KBK 360             | 357959   |
| G 360               | 355966   |
| KHF 210             | 239965   |

<sup>1)</sup> See also section 3.3., SEHB

<sup>2)</sup> Also for KHF 210

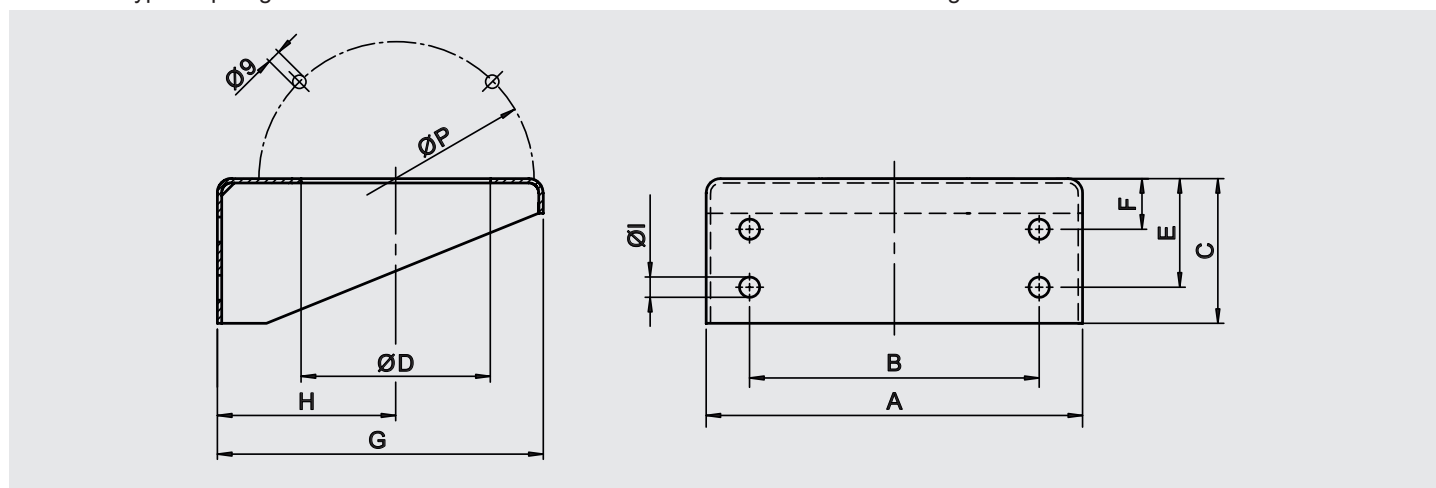
### 3.2.2 KBK consoles for piston accumulators



| Designation | Part no. | A<br>[mm] | B<br>[mm] | C<br>[mm] | ØD<br>[mm] | E<br>[mm] | F<br>[mm] | G<br>[mm] | H<br>[mm] | ØI<br>[mm] | Weight<br>[kg] |
|-------------|----------|-----------|-----------|-----------|------------|-----------|-----------|-----------|-----------|------------|----------------|
| KBK 126     | 290530   | 175       | 100       | 60        | 65         | 36        | –         | 150       | 77        | 14         | 1.1            |
| KBK 167     | 238526   | 260       | 200       | 100       | 120        | 65        | 25        | 225       | 92        |            | 2.4            |
| KBK 219     | 238042   | 270       | 180       | 100       | 135        | 80        | 40        | 250       | 123       |            | 6.5            |
| KBK 310     | 238043   | 330       | 220       | 200       | 190        | 140       | 60        | 340       | 170       | 22         | 18.3           |

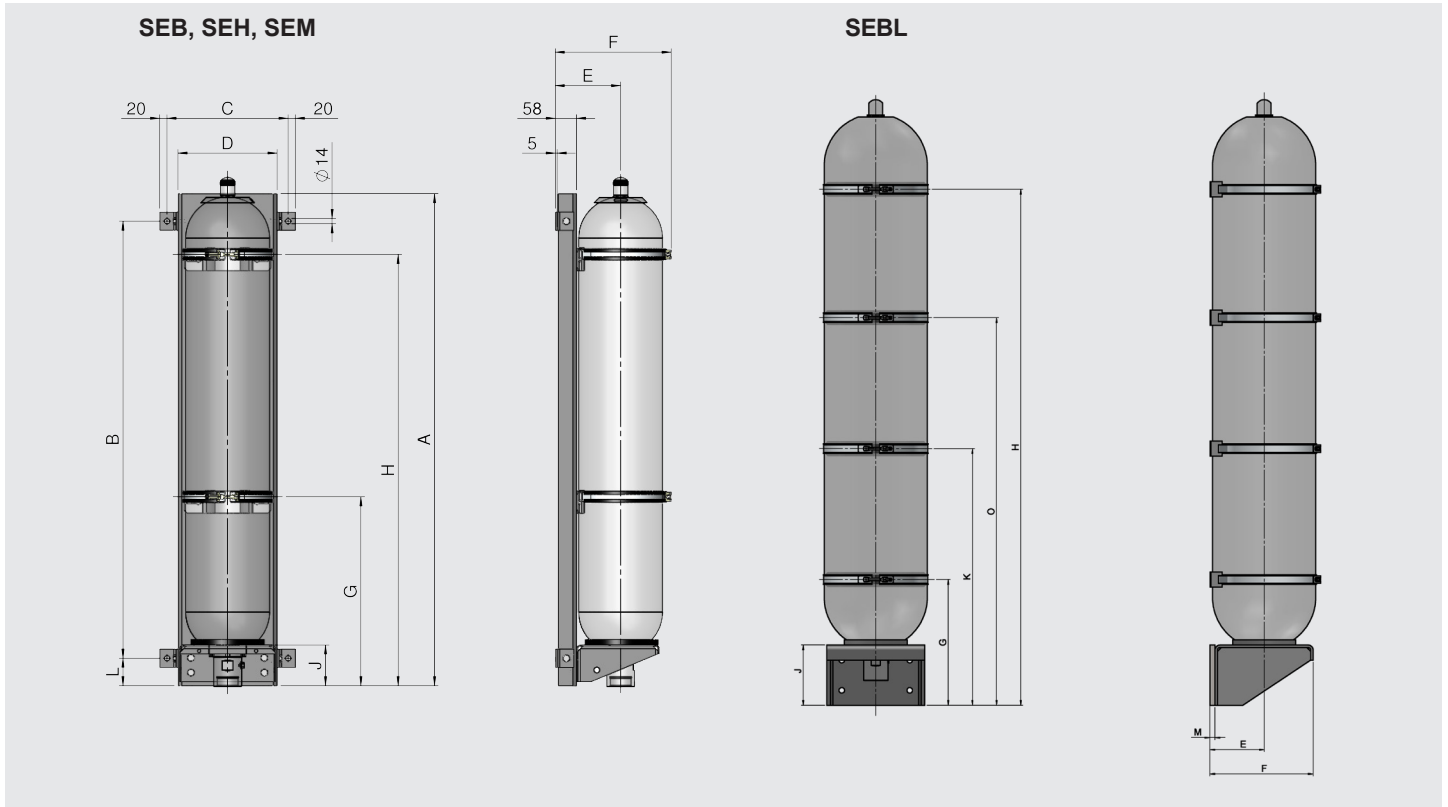
### 3.2.3 KMS consoles for screw type diaphragm accumulators

The screw type diaphragm accumulators have M8 threaded bores in the lock nut for fixing to the KMS console.



| Designation | Part no. | A<br>[mm] | B<br>[mm] | C<br>[mm] | ØD<br>[mm] | ØP<br>[mm] | E<br>[mm] | F<br>[mm] | G<br>[mm] | H<br>[mm] | ØI<br>[mm] | Weight<br>[kg] |
|-------------|----------|-----------|-----------|-----------|------------|------------|-----------|-----------|-----------|-----------|------------|----------------|
| KMS 210     | 358989   | 260       | 200       | 100       | 170        | 180        | 75        | 35        | 225       | 123       | 14         | 2.4            |
| KMS 220     | 359922   |           |           |           | 170        | 188        |           |           |           |           |            |                |
| KMS 280     | 359925   | 330       | 220       | 200       | 215        | 230        | 140       | 60        | 340       | 170       | 22         | 18.3           |
| KMS 310     | 359927   |           |           |           | 245        | 265        |           |           |           |           |            |                |

### 3.3. ACCUMULATOR MOUNTING SET FOR BLADDER ACCUMULATORS



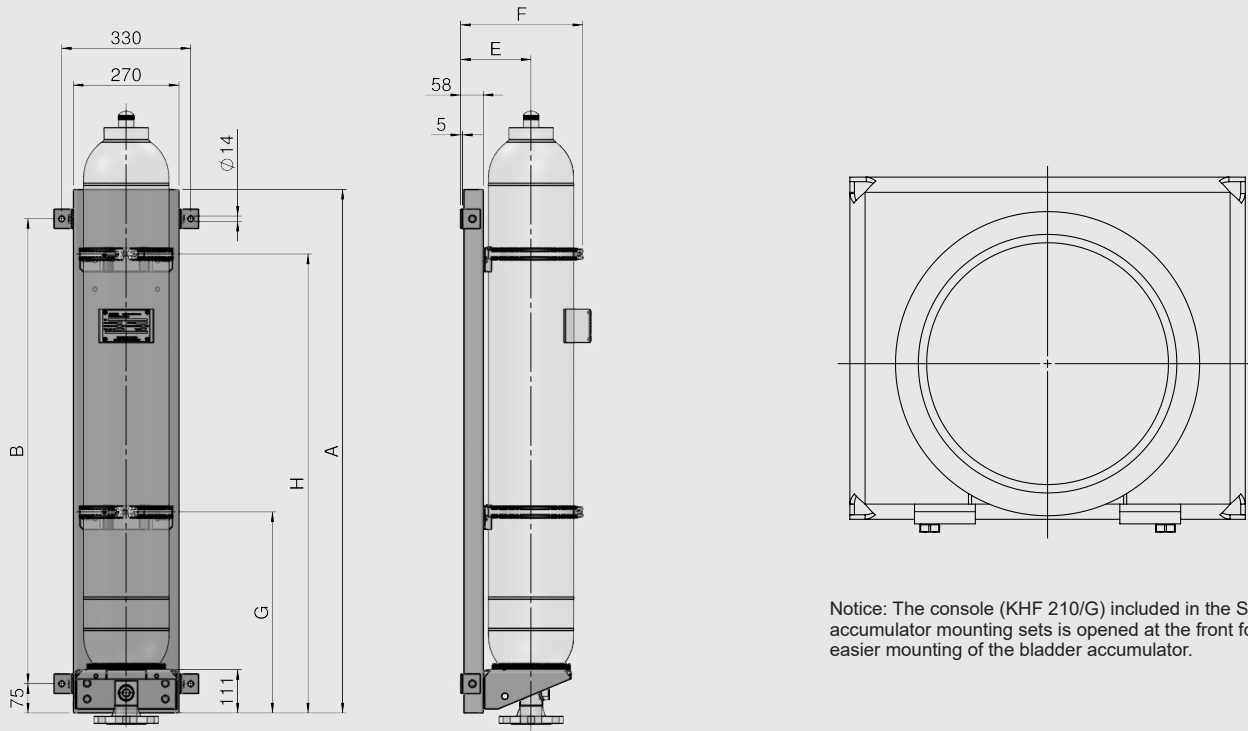
| Designation                   | Part no. | Vol.<br>[l] | A<br>[mm] | B<br>[mm] | C<br>[mm] | D<br>[mm] | E max.<br>[mm] | F max.<br>[mm] | G<br>[mm] | H<br>[mm]    | K<br>[mm]   | O<br>[mm] | M<br>[mm] | L<br>[mm] | J<br>[mm] |
|-------------------------------|----------|-------------|-----------|-----------|-----------|-----------|----------------|----------------|-----------|--------------|-------------|-----------|-----------|-----------|-----------|
| <b>SEB/SEBL for SB330/440</b> |          |             |           |           |           |           |                |                |           |              |             |           |           |           |           |
| SEB 2.5                       | 290787   | 2.5         | 460       | 310       | 198       | 138       | 134            | 209            | 220       | 410          |             |           |           | 75        | –         |
| SEB 4                         | 238403   | 4           | 410       | 320       |           |           |                |                |           | 270          |             |           |           | 45        | 95        |
| SEB 6                         | 2115851  | 6           | 570       | 420       |           |           | 154            | 285            | –         | 415          |             |           |           |           |           |
| SEB 10 slim                   | 4189835  | 10          | 1340      | 1190      |           |           |                |                | 500       | 1160         |             |           |           |           |           |
| SEB 10                        | 238407   | 10          | 580       |           | 330       | 270       |                |                |           | 330          |             |           |           |           |           |
| SEB 13-20                     | 240598   | 13<br>20    | 570       | 420       |           |           | 185            | 318            | –         | 500          | –           |           |           | 75        | 111       |
| SEB 32                        | 238409   | 32          |           |           |           |           |                |                |           | 1160         |             |           |           |           |           |
| SEB 50                        | 240599   | 50          | 1340      | 1190      |           |           |                |                |           |              |             |           |           |           |           |
| SEBL 60-80 <sup>1)</sup>      | 3605561  | 60<br>80    |           |           |           |           |                |                | 500       | 930<br>1200  |             |           |           |           |           |
| SEBL 100-130 <sup>1)</sup>    | 372132   | 100<br>130  |           |           |           |           | 195            | 390            |           | 1450<br>1750 | 950<br>1100 |           |           |           | 240       |
| SEBL 160 <sup>1)</sup>        | 4482591  | 160         |           |           |           |           |                |                |           | 1750         | 1125        |           |           |           |           |
| SEBL 200 <sup>1)</sup>        | 4500010  | 200         |           |           |           |           | 215            | 410            | 500       | 2050         | 1020        | 1540      | 20        |           |           |
| <b>SEH for SB500/550/600</b>  |          |             |           |           |           |           |                |                |           |              |             |           |           |           |           |
| SEH 2.5                       | 2105194  | 2.5         | 460       | 310       | 198       | 138       | 136            | 215            | 220       | 410          |             |           |           |           | –         |
| SEH 5                         | 2105195  | 5           | 750       | 600       |           |           |                |                |           | 650          |             |           |           |           |           |
| SEH 10                        | 378952   | 10          |           |           |           |           |                |                |           | 330          |             |           |           | 75        |           |
| SEH 20                        | 298181   | 20          | 570       | 420       |           |           |                |                |           | 500          |             |           |           |           |           |
| SEH 32                        | 298182   | 32          |           |           | 330       | 270       | 197            | 326            |           |              |             |           |           |           | 111       |
| SEH 50                        | 298183   | 50          | 1340      | 1190      |           |           |                |                | 500       | 1160         |             |           |           |           |           |
| <b>SEM for SB40</b>           |          |             |           |           |           |           |                |                |           |              |             |           |           |           |           |
| SEM 2.5                       | 3007402  | 2.5         | 460       | 310       | 198       | 138       | 123            | 194            | 220       | 410          |             |           |           |           | –         |
| SEM 5                         | 3007423  | 5           | 750       | 600       |           |           |                |                |           | 650          |             |           |           |           |           |
| SEM 10                        | 3007424  | 10          |           |           |           |           |                |                |           | 330          |             |           |           | 75        |           |
| SEM 20                        | 3007425  | 20          | 570       | 420       |           |           |                |                |           | 500          |             |           |           |           |           |
| SEM 32                        | 3007426  | 32          |           |           | 330       | 270       | 179            | 307            |           |              |             |           |           |           | 111       |
| SEM 50                        | 3007427  | 50          | 1340      | 1190      |           |           |                |                | 500       | 1160         |             |           |           |           |           |

<sup>1)</sup> SEBL with back plate possible on request

The SEB accumulator mounting set is also available with an SAF and SB330 as a compact unit (ACCUSET SB330). See catalogue section:

- ACCUSET SB  
No. 3.503

# SEHB



Notice: The console (KHF 210/G) included in the SEHB accumulator mounting sets is opened at the front for easier mounting of the bladder accumulator.

| Designation                              | Part no. | Vol.<br>[l] | A<br>[mm] | B<br>[mm] | C<br>[mm] | ØD<br>[mm] | E max.<br>[mm] | F max.<br>[mm] | G<br>[mm] | H<br>[mm] | L<br>[mm] | J<br>[mm] |
|--|----------|-------------|-----------|-----------|-----------|------------|----------------|----------------|-----------|-----------|-----------|-----------|
| SEHB accumulator mounting set for SB35HB |          |             |           |           |           |            |                |                |           |           |           |           |
| SEHB 20                                  | 3007431  | 20          | 570       | 420       | -         | -          | 184            | 312            | -         | 500       | 75        | 111       |
| SEHB 32                                  | 3007432  | 32          | 1340      | 1190      |           |            |                |                | 500       |           |           |           |
| SEHB 50                                  | 3007433  | 50          |           |           |           |            |                |                | 1160      |           |           |           |

## 4. NOTE

The information in this brochure relates to the operating conditions and fields of application described. For applications and/or operating conditions not described, please contact the relevant technical department. Subject to technical modifications.

**HYDAC Technology GmbH**  
 Industriegebiet  
**66280 Sulzbach/Saar, Germany**  
 Tel: +49 68 97 / 509 - 01  
 Internet: [www.hydac.com](http://www.hydac.com)  
 E-mail: [speichertechnik@hydac.com](mailto:speichertechnik@hydac.com)