

Plastic tanks: horizontal version
Serbatoi in plastica: versione orizzontale

CODE	Tank capacity Volume [l]	A	B	C	D	Tanks characteristics
TP01D	1	135	158	134	123	Temperature range: -15°C ÷ 70°C Materials: HDPE & PP (polypropilene) Color: neutral trasparent
TP02D	1,8	180	158	134	123	
TP03D	2,5	240	158	134	123	
TP04D	3,5	280	158	134	123	
TP05D	4,0	330	158	134	123	

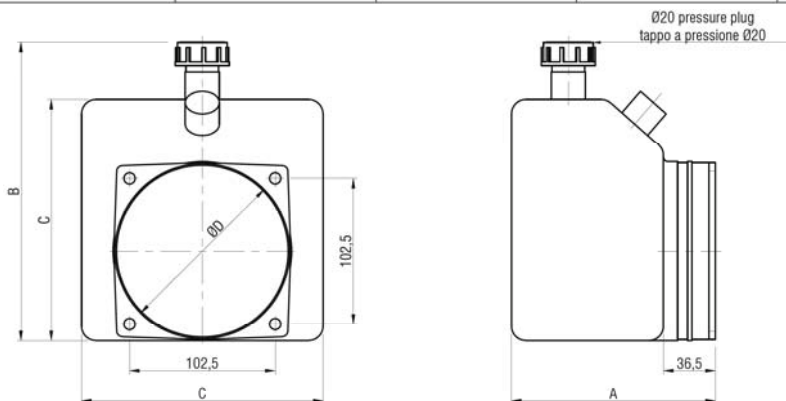
Plastic tanks: vertical version
Serbatoi in plastica: versione verticale

CODE	Tank capacity Volume [l]	A	B	C	D	Tanks characteristics
TP01V	1	135	174	134	123	Temperature range: -15°C ÷ 70°C Materials: HDPE & PP (polypropilene) Color: neutral trasparent
TP02V	1,8	180	174	134	123	
TP03V	2,5	240	174	134	123	
TP04V	3,5	280	174	134	123	
TP05V	4,0	330	174	134	123	

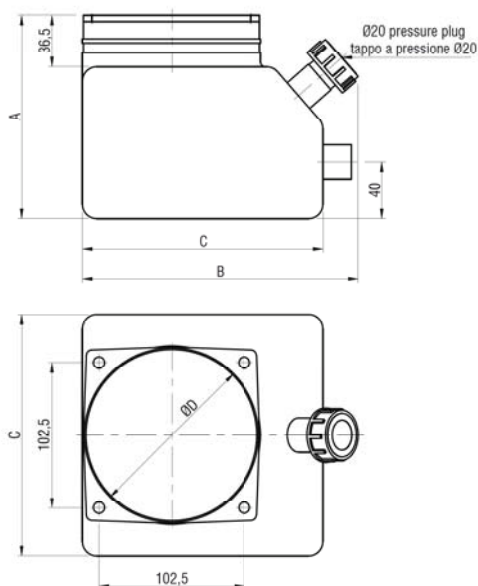
Rev. 1.1

Plastic tanks: horizontal version
Serbatoi in plastica: versione orizzontale

CODE	Tank capacity Volume [l]	A	B	C	D	Tanks characteristics
TP06H	1.5	145	211	170	123	Temperature range: -15°C ÷ 70°C Materials: HDPE & PP (polypropilene) Color: neutral trasparent
TP07H	3	200	211	170	123	
TP08H	5	287	211	170	123	
TP09H	8	377	211	170	123	
TP10H	12	520	211	170	123	

Plastic tanks: vertical version
Serbatoi in plastica: versione verticale

CODE	Tank capacity Volume [l]	A	B	C	D	Tanks characteristics
TP06V	1.5	145	195	170	123	Temperature range: -15°C ÷ 70°C Materials: HDPE & PP (polypropilene) Color: neutral trasparent
TP07V	3	200	195	170	123	
TP08V	5	287	195	170	123	
TP09V	8	377	195	170	123	
TP10V	12	520	195	170	123	



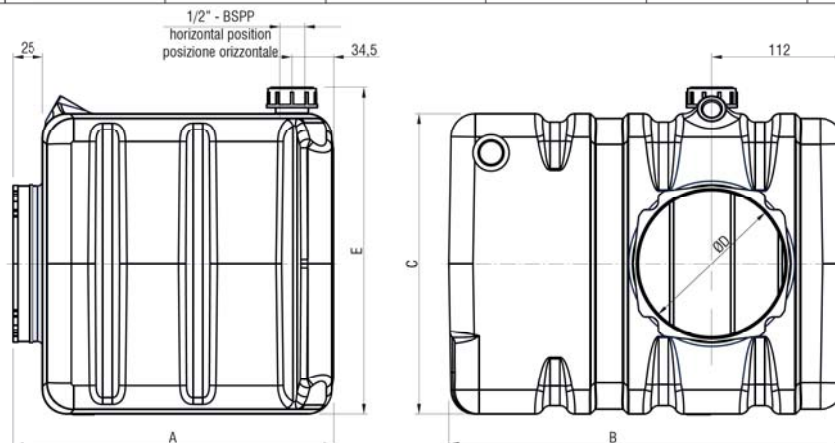
						Plastic tanks: horizontal version Serbatoi in plastica: versione orizzontale
CODE	Tank capacity Volume [l]	A	B	C	D	Tanks characteristics
TP15H	5	219	220	Ø195	123	Temperature range: -15°C ÷ 70°C Materials: HDPE & PP (polypropilene) Color: neutral trasparente
TP16H	7	271	220	Ø195	123	
TP17H	8	323	220	Ø195	123	
TP18H	11	453	220	Ø195	123	

						Plastic tanks: vertical version Serbatoi in plastica: versione verticale
CODE	Tank capacity Volume [l]	A	B	C	D	Tanks characteristics
TP15V	5	219	197	Ø195	123	Temperature range: -15°C ÷ 70°C Materials: HDPE & PP (polypropilene) Color: neutral trasparente
TP16V	7	271	197	Ø195	123	
TP17V	8	323	197	Ø195	123	
TP18V	11	453	197	Ø195	123	

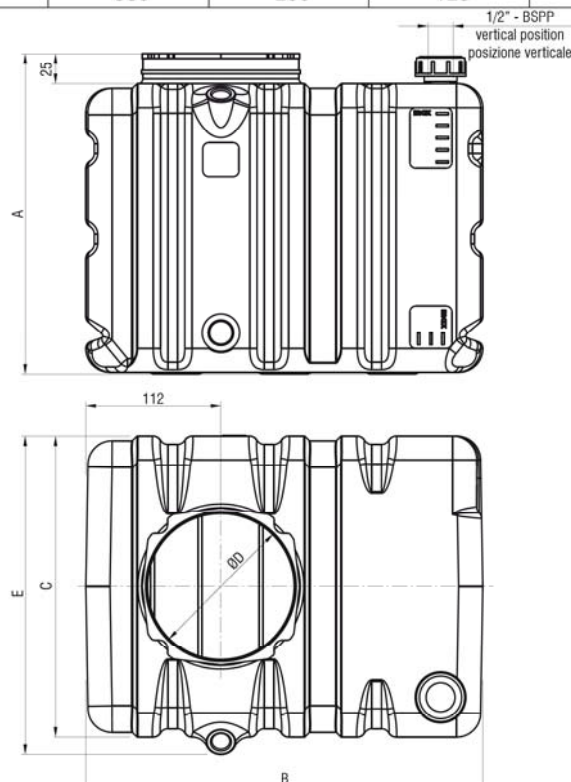
Rev. 1.1

Plastic tanks: horizontal version
Serbatoi in plastica: versione orizzontale

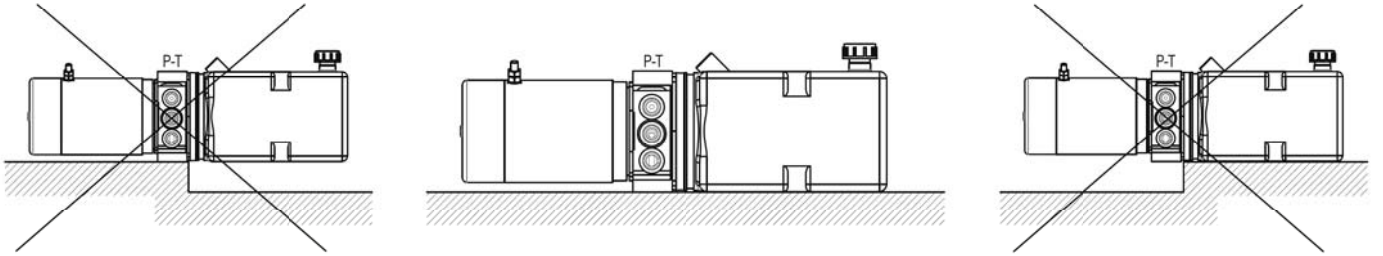
CODE	Tank capacity Volume [l]	A	B	C	D	E	Tanks characteristics
TP30H	10	192	330	250	123	271	Temperature range: -15°C ÷ 70°C Materials: HDPE & PP (polypropilene) Color: neutral trasparent
TP31H	12	217	330	250	123	271	
TP32H	15	267	330	250	123	271	
TP33H	20	332	330	250	123	271	

Plastic tanks: vertical version
Serbatoi in plastica: versione verticale

CODE	Tank capacity Volume [l]	A	B	C	D	E	Tanks characteristics
TP30V	10	192	330	250	123	264	Temperature range: -15°C ÷ 70°C Materials: HDPE & PP (polypropilene) Color: neutral trasparent
TP31V	12	217	330	250	123	264	
TP32V	15	267	330	250	123	264	
TP33V	20	332	330	250	123	264	



Correct mounting position for plastic tanks
Corretta posizione di montaggio per serbatoi in plastica



Tanks mounting kit
Kit fissaggio serbatoi

CODE	Tank type Tipo serbatoio	Drawing Disegno
TMK1	TP01 - TP02 - TP03 - TP04 - TP05 TP06 - TP07 - TP08 - TP09 - TP10	
TMK2	TP15 - TP16 - TP17 - TP18 TP30 - TP31 - TP32 - TP33	

Rev. 1.1