

# AD.3.L... LEVER OPERATED CETOP 3/NG6



Max. pressure ports P/A/B	320 bar
Max. pressure port T	160 bar
Max. flow	60 l/min
Lever angle	2 x 17°
Fluid viscosity	10 ÷ 500 mm <sup>2</sup> /s
Fluid temperature	-25°C ÷ 75°C
Ambient temperature	-25°C ÷ 60°C
Max. contamination level	class 10 in accordance with NAS 1638 with filter $\beta_{25} \geq 75$
Weight	1,2 Kg
Weight M1 variant	1,8 Kg

AD.3.L...

STANDARD SPOOLS

CH. I PAGE 10

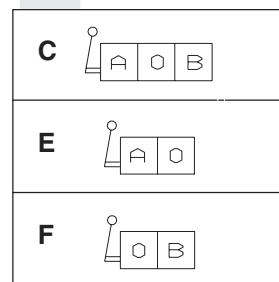
### ORDERING CODE

<b>AD</b>	Directional valve
<b>3</b>	CETOP 3/NG6
<b>L</b>	Lever operation
<b>**</b>	Spool type (see table 1) Spool symbol see page I•10
<b>*</b>	Mounting type (see table 2)
<b>*</b>	<b>Z</b> = Valve with lever <b>X</b> = Valve without lever
<b>*</b>	Variants (see table 3)
<b>4</b>	Serial No.

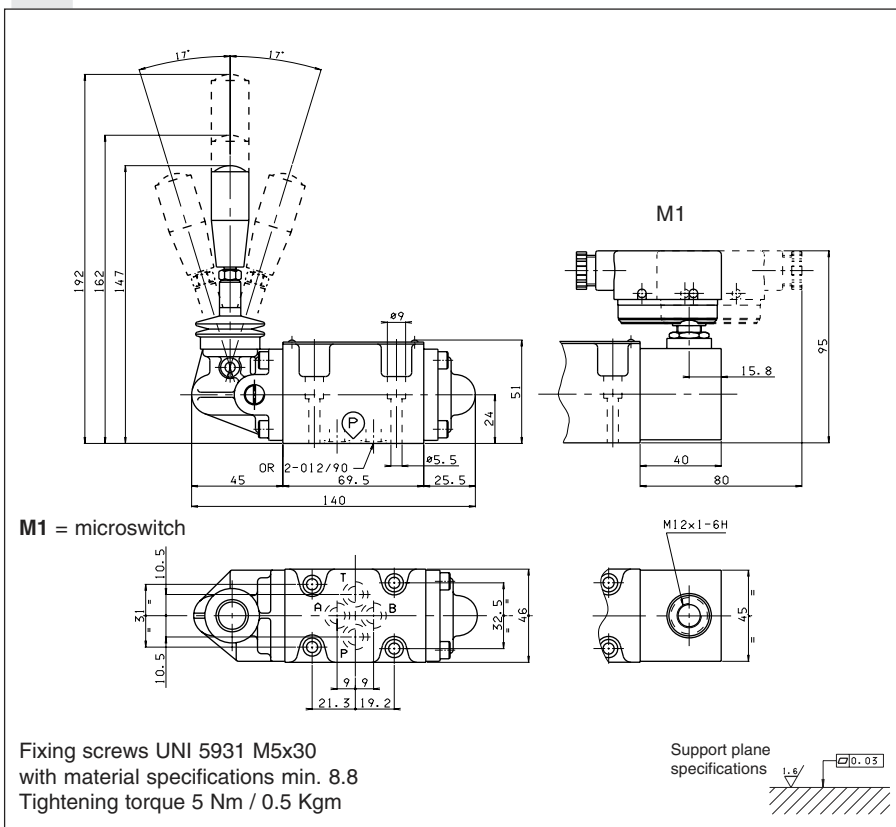
### TAB.1 SPOOLS TYPE

- For these valves spools are different from ones used on the other directional valves
- Available spools:  
01 / 02 / 03 / 04 / 05 / 06 / 66  
07 / 22 / 13 / 15 / 16 / 17

### TAB.2 MOUNTING TYPE



### OVERALL DIMENSIONS



### TABLE 3 - VARIANTS TABLE

VARIANTS	CODE (♦)
No variant	00
Viton	V1
Preset for microswitch Available on request NATIONAL AM1107 type microswitch	M1 (♦)
Preset for microswitch + Viton	MV (♦)
With detent (mechanical connection) (Springs are different from those for standard versions)	D1 (♦)
Preset for microswitch + Detent	MD (♦)
Lever length 162 mm	L1
Lever length 192 mm	L2
♦ Variant codes stamped on the plate	