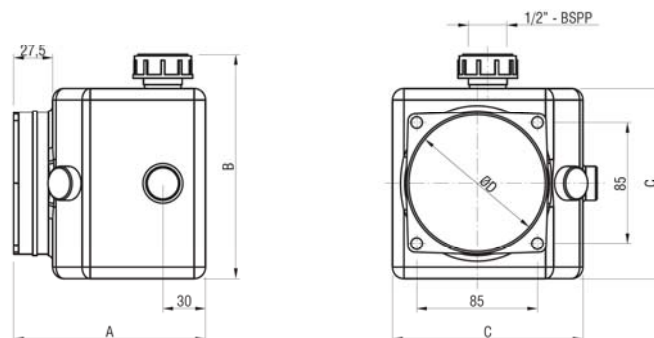
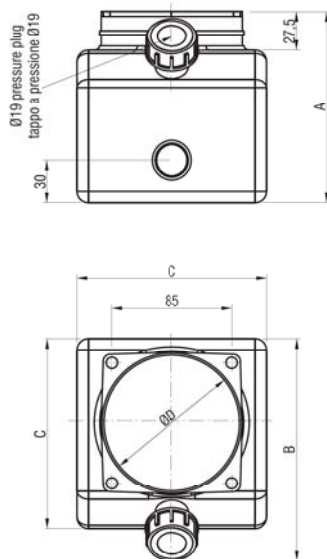


Plastic tanks: horizontal version
Serbatoi in plastica: versione orizzontale

CODE	Tank capacity Volume [l]	A	B	C	D	Tanks characteristics
TPM01D	1	135	158	134	96	Temperature range: -15°C ÷ 70°C Materials: HDPE & PP (polypropilene) Color: neutral trasparent
TPM02D	1,8	180	158	134	96	
TPM03D	2,5	240	158	134	96	
TPM04D	3,5	280	158	134	96	
TPM05D	4,0	330	158	134	96	

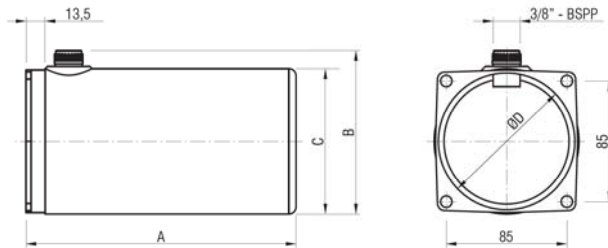
Plastic tanks: vertical version
Serbatoi in plastica: versione verticale

CODE	Tank capacity Volume [l]	A	B	C	D	Tanks characteristics
TPM01V	1	135	174	134	96	Temperature range: -15°C ÷ 70°C Materials: HDPE & PP (polypropilene) Color: neutral trasparent
TPM02V	1,8	180	174	134	96	
TPM03V	2,5	240	174	134	96	
TPM04V	3,5	280	174	134	96	
TPM05V	4,0	330	174	134	96	



Plastic tanks: horizontal version
Serbatoi in plastica: versione orizzontale

CODE	Tank capacity Volume [l]	A	B	C	D	Tanks characteristics
TPM06H	0.5	137.5	115	103.5	96	Temperature range: -15°C ÷ 70°C Materials: HDPE & PP (polypropilene) Color: neutral trasparent
TPM07H	0.8	160	115	103.5	96	
TPM08H	1	190	115	103.5	96	
TPM09H	1.3	218	115	103.5	96	
TPM10H	1.5	248	115	103.5	96	
TPM11H	2	336	115	103.5	96	



Plastic tanks: vertical version
Serbatoi in plastica: versione verticale

CODE	Tank capacity Volume [l]	A	B	C	D	Tanks characteristics
TPM06V	0.5	137.5	132	103.5	96	Temperature range: -15°C ÷ 70°C Materials: HDPE & PP (polypropilene) Color: neutral trasparent
TPM07V	0.8	160	132	103.5	96	
TPM08V	1	190	132	103.5	96	
TPM09V	1.3	218	132	103.5	96	
TPM10V	1.5	248	132	103.5	96	
TPM11V	2	336	132	103.5	96	

