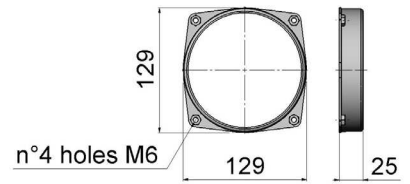
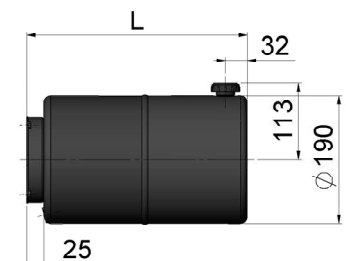
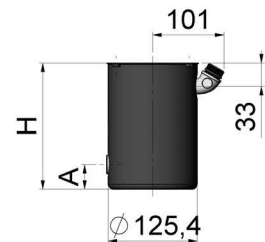
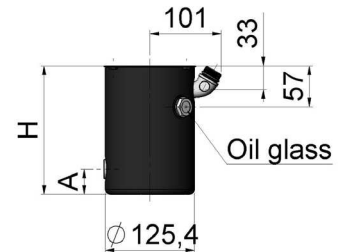
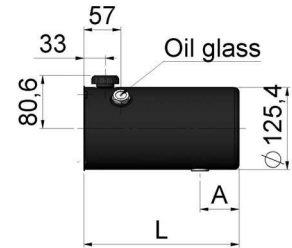
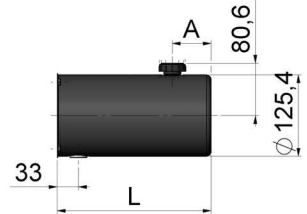


Steel collar for tank				
CODE				
S00				

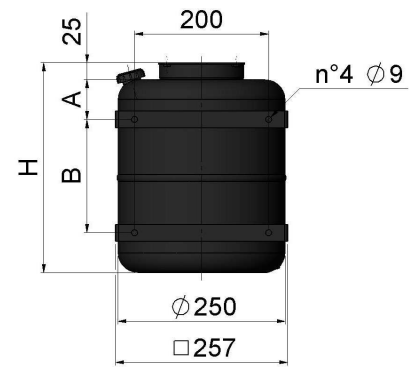


Steel tank				
CODE	Tank capacity (l)	Useable capacity (l)	L (mm)	A (mm)
S01	1	0,7	133	35
S20	1,8	1,2	178	35
S02	2,5	1,7	238	60
S161	3	2,3	280	60
S107	4	3,2	409	60
CODE	Tank capacity (l)	Useable capacity (l)	L (mm)	A (mm)
S145	1	0,7	133	35
S144	1,8	1,2	178	35
S142	2,5	1,7	238	60
CODE	Tank capacity (l)	Useable capacity (l)	H (mm)	A (mm)
S01V	1	0,6	133	35
S20V	1,8	1,1	178	35
S02V	2,5	1,7	238	60
CODE	Tank capacity (l)	Useable capacity (l)	H (mm)	A (mm)
S216	1	0,6	133	35
S217	1,8	1,1	178	35
S218	2,5	1,7	238	60
S239	3	2,3	280	60
S107V	4	3,2	409	60
CODE	Tank capacity (l)	Useable capacity (l)	L (mm)	
S03	5	4	219	
S34	7	5,4	271	
S04	8	6,6	323	
S109	11	9,6	453	

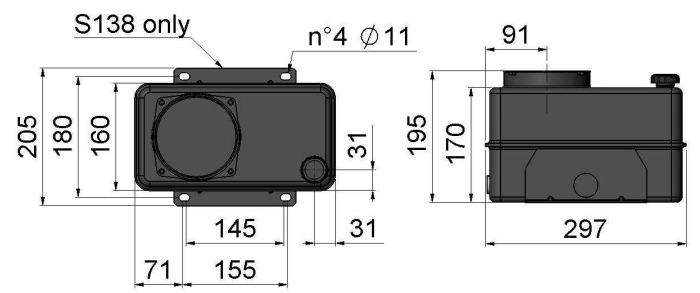


CODE	Tank capacity (l)	Useable capacity (l)	H (mm)				
S03V	5	3	219				
S34V	7	4,4	271				
S04V	8	5,8	323				
S109V	11	9,0	453				
CODE	Tank capacity (l)	Useable capacity (l)					
S185	5	3					
S108	8	5,8					
CODE	Tank capacity (l)	Useable capacity (l)					
S94	8	6,6					
CODE	Tank capacity (l)	Useable capacity (l)					
S177	9	7,7					
CODE	Tank capacity (l)	Useable capacity (l)	A (mm)	B (mm)	C (mm)	L (mm)	
S90	12	10,5	60	170	105	315	
S128	16	13	60	170	158	368	
S105	19	15	52,5	290	158	420	
S92	23	19	102,5	290	158	520	
CODE	Tank capacity (l)	Useable capacity (l)					
S178	9	6,9					

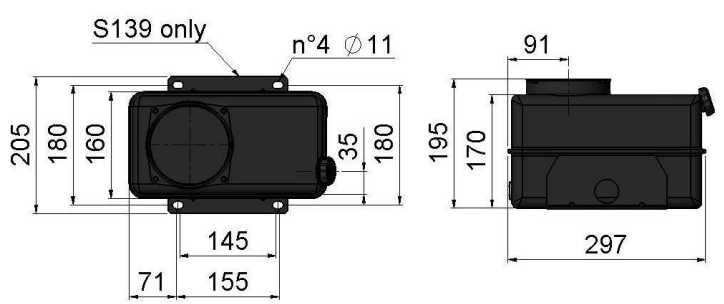
CODE	Tank capacity (l)	Useable capacity (l)	H (mm)	A (mm)	B (mm)
S90V	12	9	315	60	170
S92V	23	18	520	102,5	290



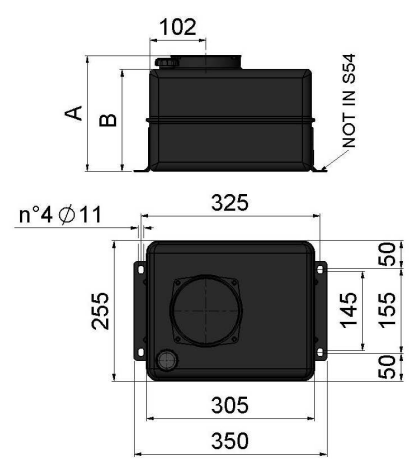
CODE	Tank capacity (l)	Useable capacity (l)	Brackets
S07	6	4	No
S138	6	4	Yes



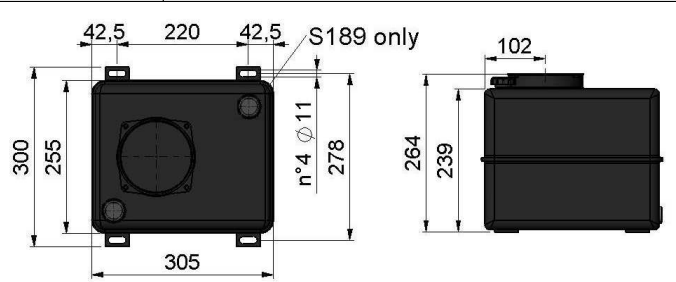
CODE	Tank capacity (l)	Useable capacity (l)	Brackets
S48	6	4	No
S139	6	4	Yes



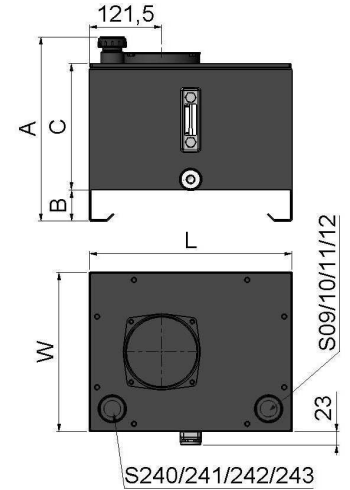
CODE	Tank capacity (l)	Useable capacity (l)	A (mm)	B (mm)
S223	8	6	156	131
S54	12	9,5	210	186
S140	12	9,5	210	186
S256	14	12	235	211
S141	15	13	261	236
S143	20	18	329	305



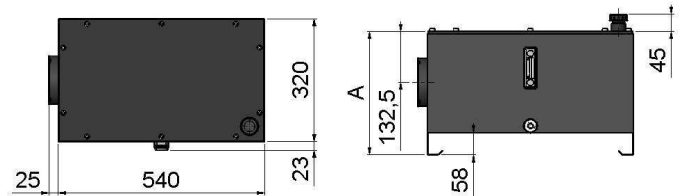
CODE	Tank capacity (l)	Useable capacity (l)
S184	15	13
S189	15	13



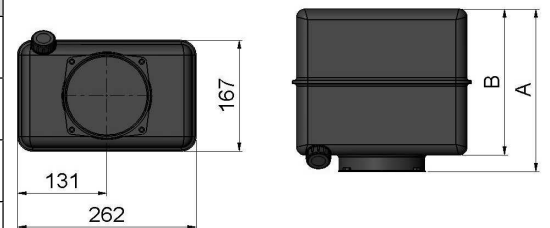
CODE	Tank capacity (l)	Useable capacity (l)	A (mm)	B (mm)	C (mm)	LxW (mm)
S09	20	12,5	285	53	207	340x270
S240	20	12,5	285	53	207	340x270
S10	30	22,5	405	58	322	340x270
S241	30	22,5	405	58	322	340x270
S11	45	30	344	58	261	540x320
S242	45	30	344	58	261	540x320
S12	60	44	435	58	352	540x320
S243	60	44	435	58	352	540x320



CODE	Tank capacity (l)	Useable capacity (l)	A (mm)
S13	45	30	321
S14	60	44	416



CODE	Tank capacity (l)	Useable capacity (l)	A (mm)	B (mm)
S211	3,5	3	125	100
S212	8	7	245	220



Alluminium tank			
CODE	Tank capacity (l)	Useable capacity (l)	
S31	10	8,3	
S245	10	8,3	

