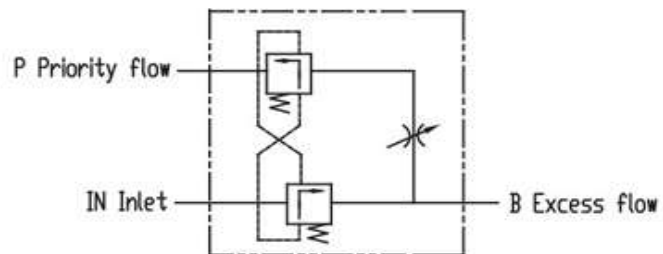
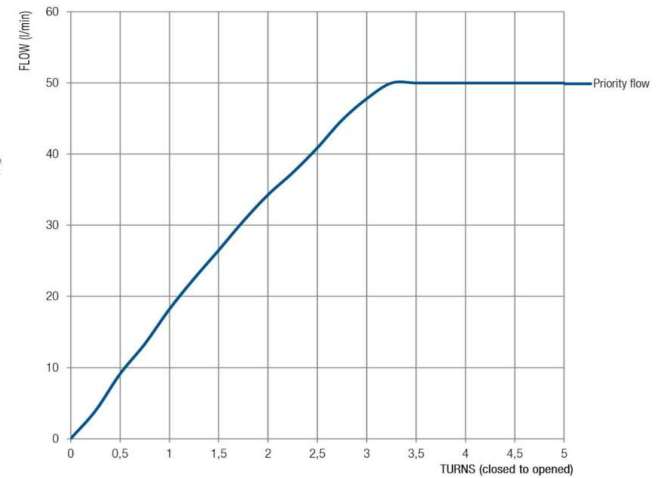
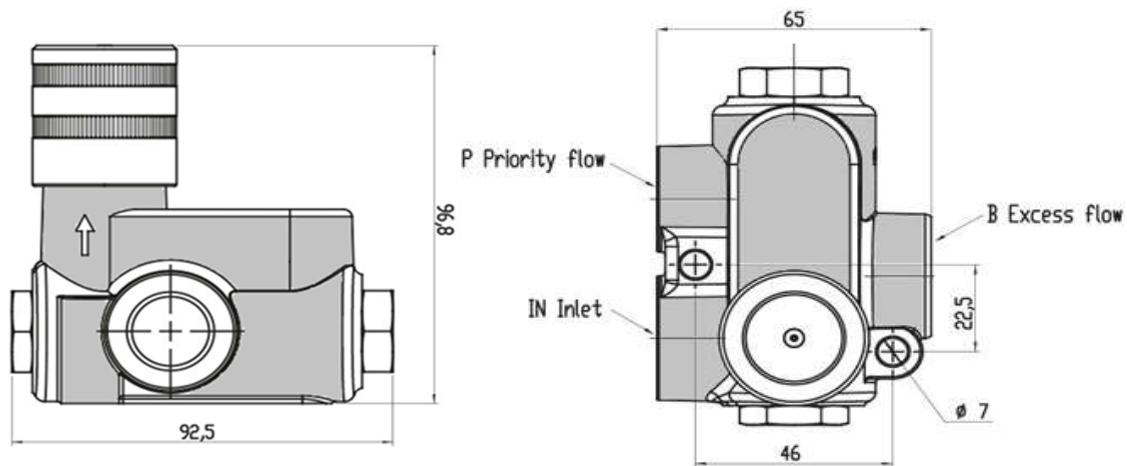


# 

Three way compensated flow control valve with exceeding flow in pressure for secondary circuit or tank, model RF40P part no: CC.080530

P - PRIORITY FLOW REGULATION



P. max. is 250 bar  
Max. flow is 50 L/min.

IN P B  
1/2 BSPP 3/8 BSPP 1/2 BSPP