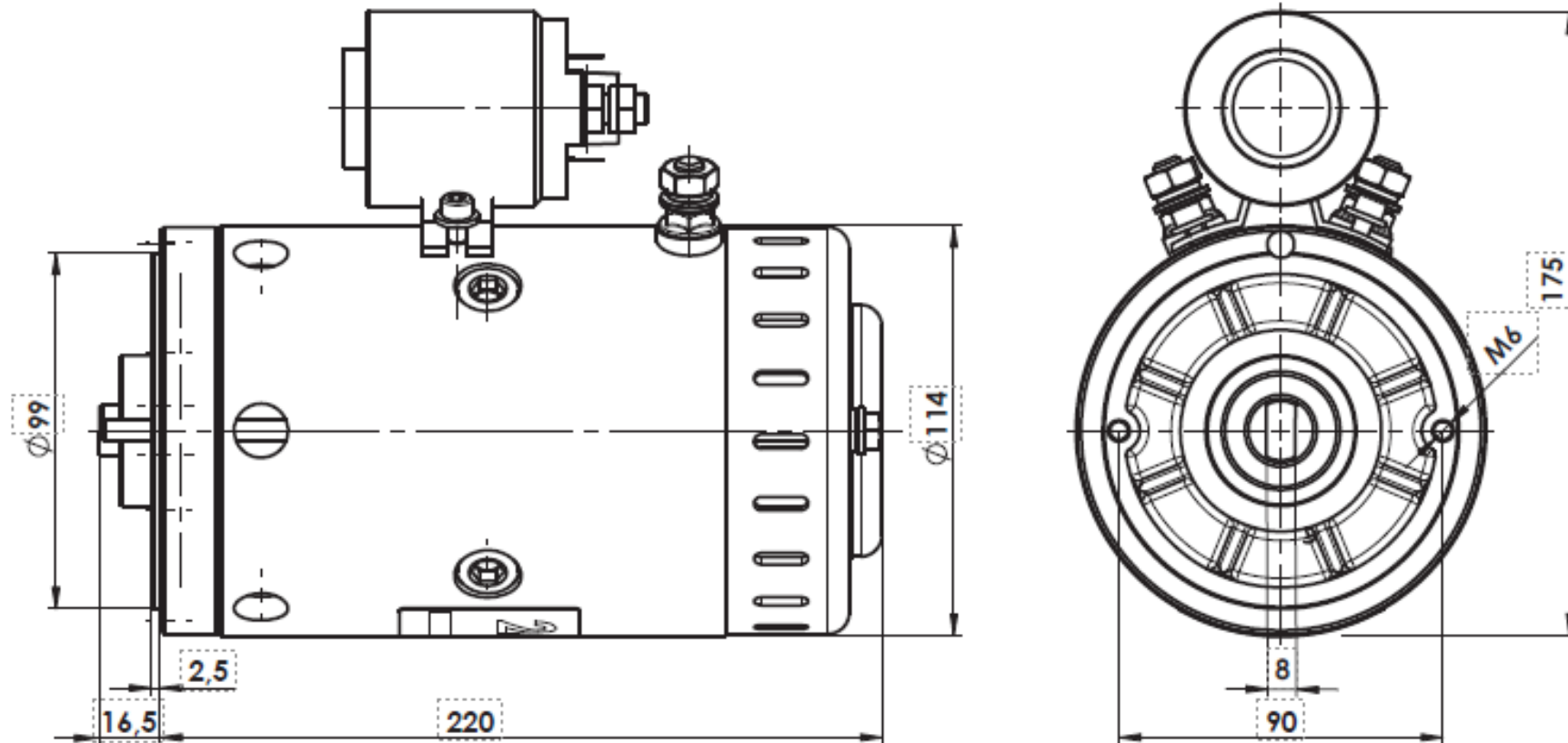


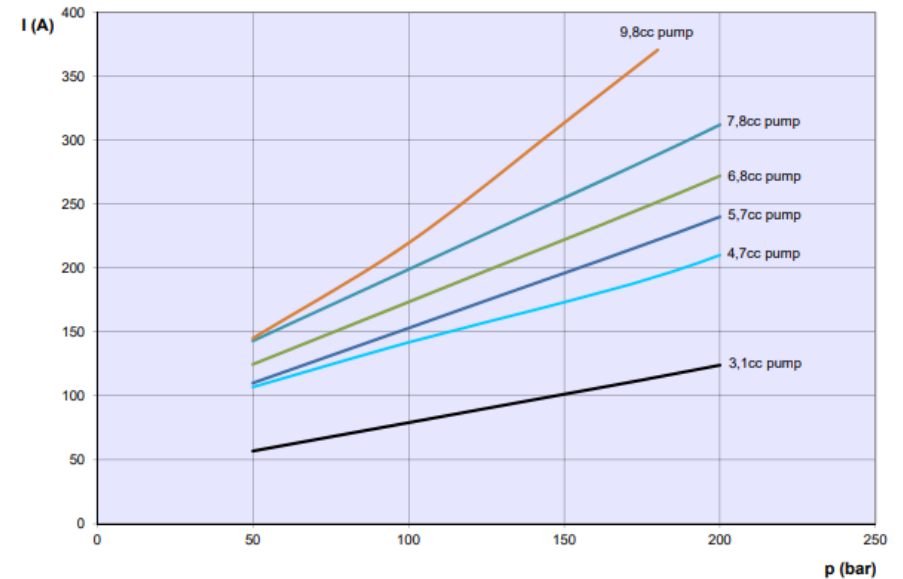
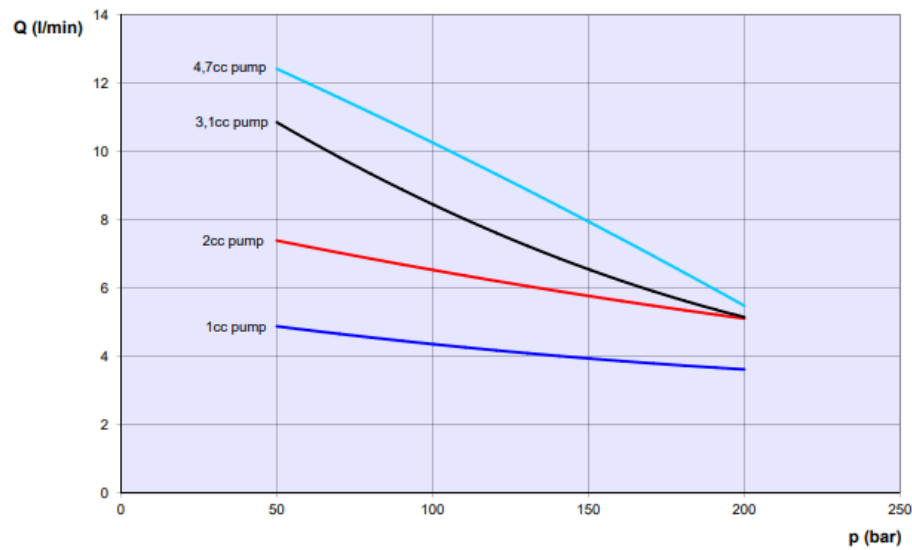
CX.010360

24V 2200W Geventileerd (thermisch beveiligd)

Met start relais 150A



Caratteristiche tecniche 24V 2200W / Technical specifications 24V 2200W



The graphs are worked out from /aboratory tests with the following parameters:

- ambient temperature 20°C
- battery 12Vor 24V
- feed wires L=S mts
- hydraulic oil VG 68

Working temperature -l S°C -e- +80°C

Working conditions: it is important to keep to the working time given to avoid overheating of the motor.

S2 Short time duty

Once started, the motor works at a constant load for a limited period and thermal equilibrium is not reached. Motor will be started a second time then when its temperature has decreased to room temperature (starting conditions are restored).

S3 Intermittent periodic duty

A sequence of identical duty cycles, made up with a time of operation at constant load and a time at rest. When at rest, the motor is not fed. Starting current does not significantly influence temperature rise.

The factors S2 and S3 shall be related to the actual current

Absorbed according to the following criteria.

24V		
I (A)	S2 (min)	S3%
50	22	30
100	8	12
125	3	8
180	0,75	4