

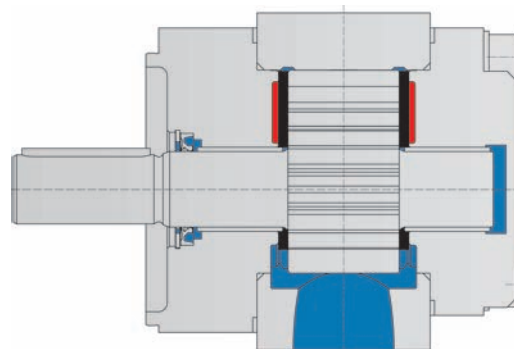
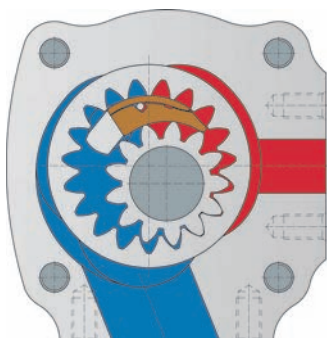
Internal gear pump Type EIPC5 for industrial applications with constant displacement volume



EIPC5

Characteristics

- Internal gear pump with axial and radial gap compensation
- Radial compensation with segments
- Suction and pressure port radial
- Field of application: Industrial hydraulic
- Low noise
- Long time life
- Low pulsation (pressure pulsation ~ 2 %)
- Multi flow combinations



Technical Data:

Rated Size NG	064	080	100
Spec. volume V_{th} [cm ³ /rev] ^{***}	65,3	80,4	100,5
Continuous operating pressure [bar] ^{**}	210		
Peak operating pressure [bar] max. 10 sec 15 % dutycycle	230		
Cut-in pressure peak [bar] ^{**}	250		
Max. speed [min ⁻¹]	3.000	3.000	2.500
Nominal speed [min ⁻¹]	100 – 3.000	100 – 3.000	100 – 2.500
Operating viscosity [mm ² /s]	10 – 300		
Starting viscosity [mm ² /s]	2.000		
Operating temperature [°C]	-20 to +100		
Operating medium	HL – HLP DIN 51 524 part 1/2		
Max. medium temperature [°C]	120		
Min. medium temperature [°C]	-40		
Max. ambient temperature [°C]	80		
Min. ambient temperature [°C]	-40		
Max. admission pressure (intake side) [bar]	2 bar absolute		
Min. admission pressure (intake side) [bar]	0.8 bar absolute (Start 0.6)		
Weight appr. [kg]	11,2	13,0	13,5
Degree of filtration	Class 20/18/15 due to ISO 4406		

Efficiency η_{vol}	94	95	95
Efficiency η_{hm}	92	93	93
Pump noise* (measured in sound chamber) dB[A]	69	70	71
	n = 1.450	$\varnothing_p = 210$ bar	T = 50 °C
	Medium: HLP 46		
	*Measured in anechoic room of Eckerte Hydraulic Division; Axial microphone distance 1.0 m		

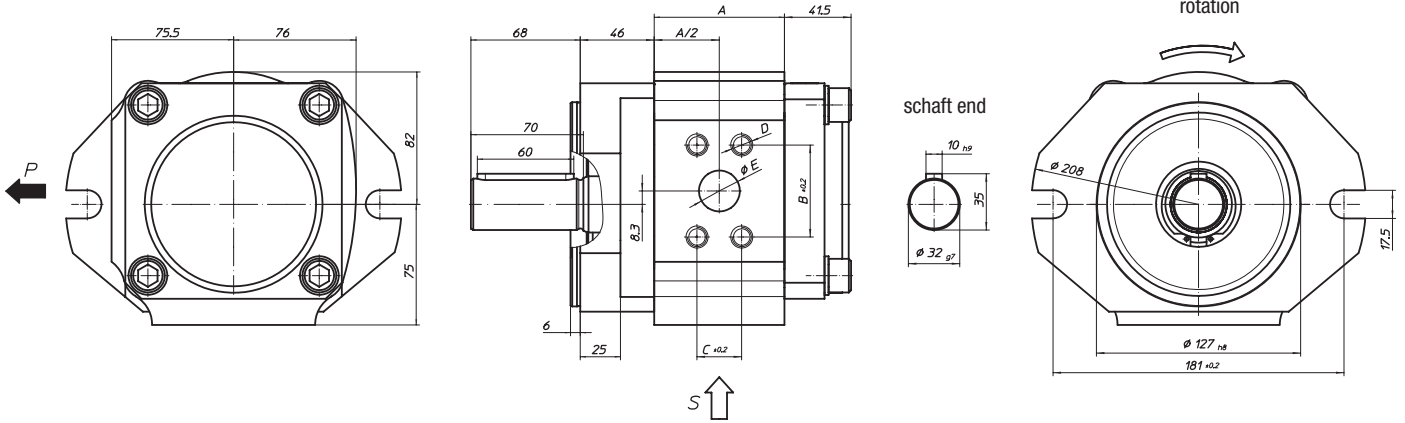
** For acceptable pressure at 400-1.800 rpm. Further rpm on request.

*** Due to manufacturing tolerances the displacement volume could vary.



Pump with SAE-C-2-hole flange and cylindrical shaft

Order example: EIPC5-__ _RA23-1X

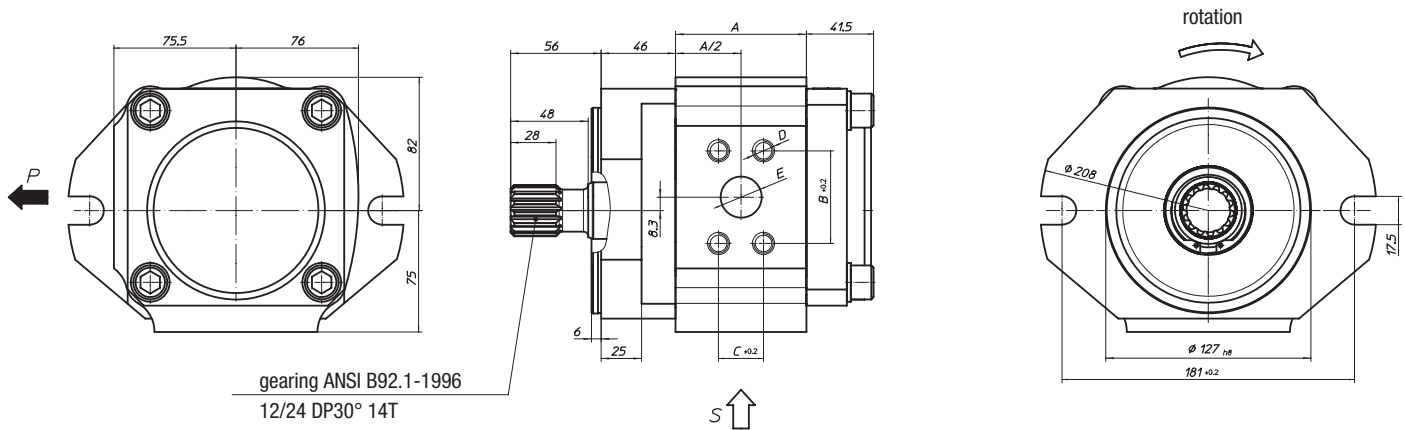


NG	A	B	C	D	E	L	M	N
064	81	57,2*	27,8*	M12x22	25,4	77,8	42,9	47,2
080	93	66,7*	31,8*	M14x24	31,75	77,8	42,9	47,2
100	109	66,7*	31,8*	M14x24	31,75	88,9	50,8	63,5

* Pressure port: SAE 518C, high pressure series (code 62)

Pump with SAE-C-2-hole flange and spline shaft

Order example: EIPC5-__ _RB23-1X



gearing ANSI B92.1-1996
12/24 DP30° 14T

NG	A	B	C	D	E	L	M	N
064	81	57,2*	27,8*	M12x22	25,4	77,8	42,9	47,2
080	93	66,7*	31,8*	M14x24	31,75	77,8	42,9	47,2
100	109	66,7*	31,8*	M14x24	31,75	88,9	50,8	63,5

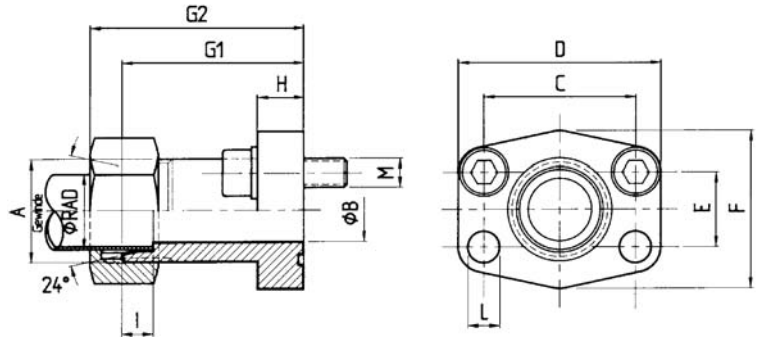
* Pressure port: SAE 518C, high pressure series (code 62)



SAE flange metric tapped



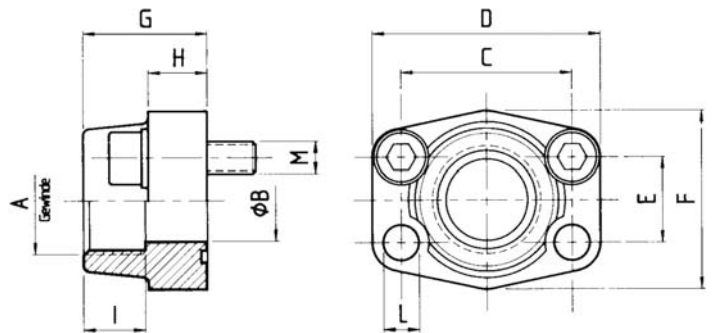
Version a



SAE pipe threaded flange



Version b



Nr.	Article number	Type	P _{max}	AD	A	B	C	D	E	F	G1	G2	H	I	L
1a	07 07 04 0030	AD15-SAE12M22x1,5	315	15	M22x1.5	12	38.1	54	17.48	46	52	60	13	7	9
1b	07 07 04 0026	EFG1/2-SAE12	350		G1/2"	13	38.1	54	17.48	46	36		19	19	9
2a	07 07 04 0031	AD22-SAE34M30x2	160	22	M30x2	19	47.63	65	22.23	50	60	69	14	7.5	11.5
2b	07 07 04 0027	EFG3/4-SAE34	350		G3/3"	19	47.63	65	22.23	50	36		18	19	11
3a	07 07 04 0032	AD28-SAE100M36x2	160	28	M36x2	24	52.37	70	26.19	55	63	72	16	7.5	11.5
3b	07 07 04 0028	EFG1-SAE100	315		G1"	25	52.37	70	26.19	55	38		18	22	11
4a	07 07 04 0033	AD35-SAE114M45x2	160	35	M45x2	29	58.72	79	30.18	68	65	76	14	10.5	11.5
4b	07 07 04 0029	EFG1 1/4-SAE114	250		G1 1/4"	32	58.72	79	30.18	68	41		21	22	11.5
5a	07 07 04 0037	AD42-SAE112M52x2	160	42	M52x2	36	69.85	94	35.71	78	70	82	16	11	13.5
5b	07 07 04 0034	EFG1 1/2-SAE112	200		G1 1/2"	38	69.85	94	35.71	78	45		25	24	13.5
6b	07 07 04 0036	EFG2-SAE200	200		G2"	51	77.77	102	42.88	90	45		25	30	13.5
7b	07 07 04 0041	EFG2 1/2-SAE212	160		G2 1/2"	63	88.9	114	50.8	105	50		25	30	13.5
8a	07 07 04 0042	AD30-SAE100M42x2HD	400	30	M42x2	25	57.2	81	27.8	70	82	95	24	13.5	13
9a	07 07 04 0043	AD38-SAE114M52x2HD	400	38	M52x2	32	79.38	113	36.5	95	96	111	30	16	17.5



SAE Pressure- and Suction flange SAE J518C, ISO 6162

Type	Inlet	Nr.	Version		Outlet	Nr.	Version	
			a	b			a	b
EIPC3-020-032	1 1/4"	4	•	•	3/4"	2	•	•
EIPC3-040-064	1 1/4"	4	•	•	1"	3	•	•

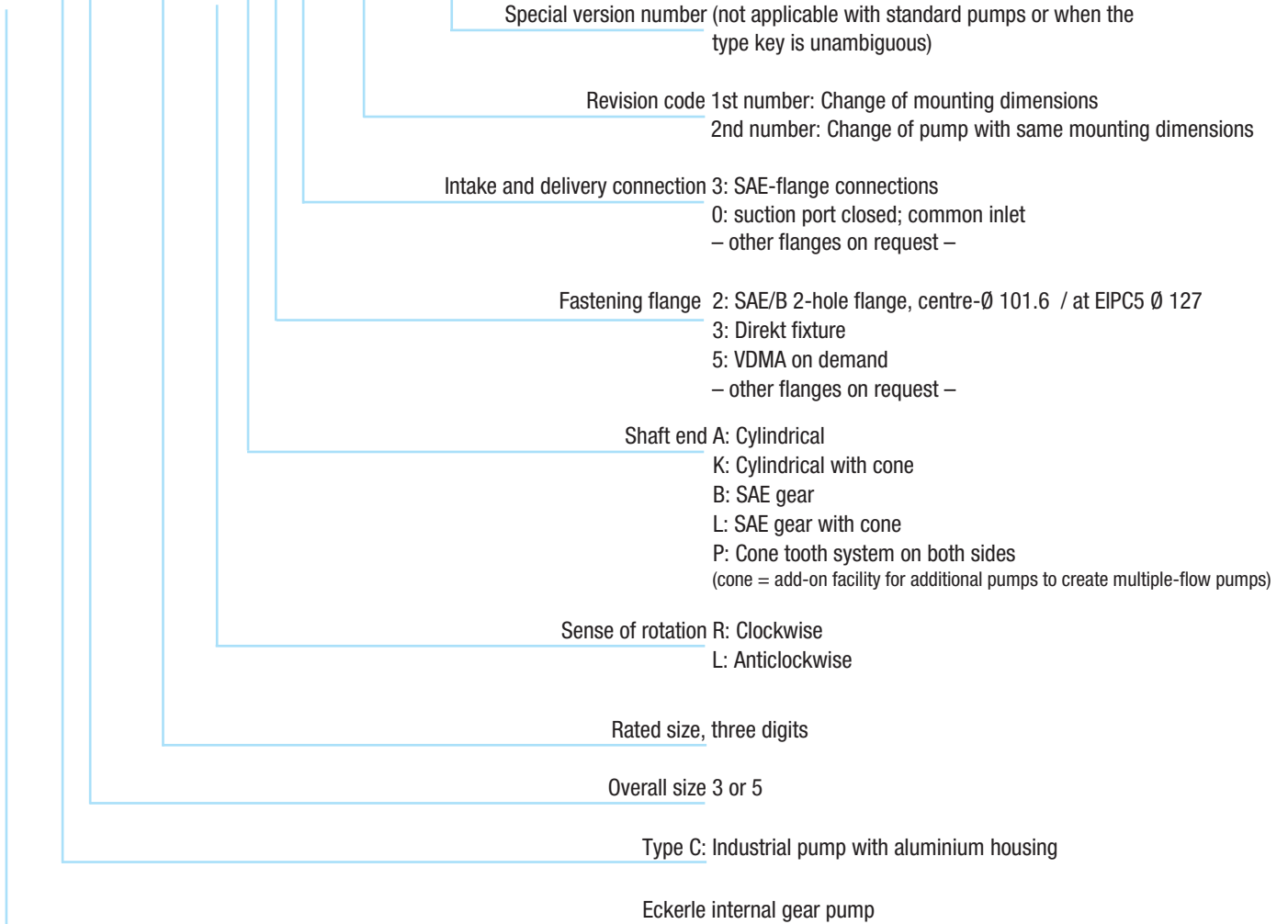
Suction flange for Intermediate housing

Type	Inlet	Nr.	Version	
			a	b
EIPC3/3 bis NG0321	1/2"	5	•	•
EIPC3/3 ab NG040	2"	6		•

• = available



EIP C3-032 RK23-1X SXXX



Order example

EIPC3-032 RK23-1X

for industrial applications
 overall size 3 with 32.1 cm³/U
 clockwise rotation
 cylindrical shaft with cone
 SAE/B-2-hole flange connection
 SAE flange connection
 revision code 1X