

# PISTON PRESSURE SWITCH type IP

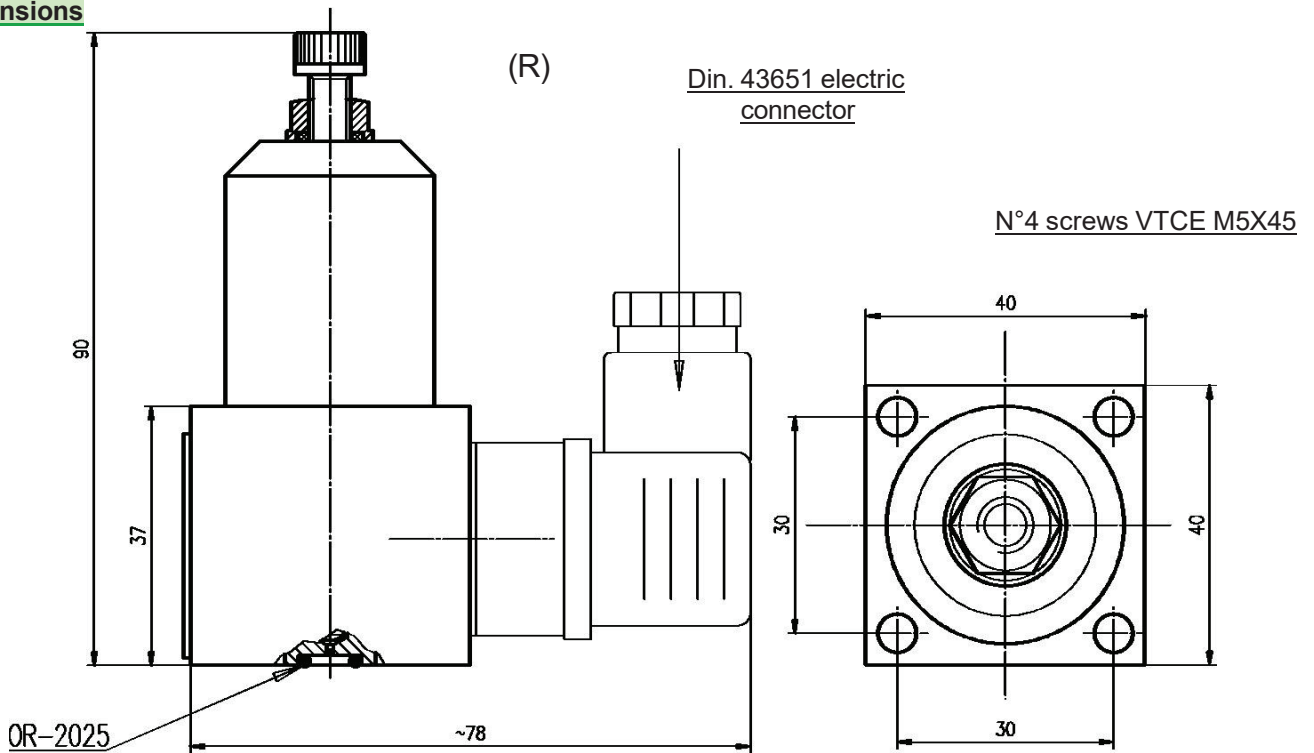
## Characteristics

TYPE	PRESSURE SETTING RANGE	REPEATABILITY	WEIGHT
IP- 015	4-15 bar	< ± 2 % of setting	0.35 Kg.
IP- 630	50-630 bar		

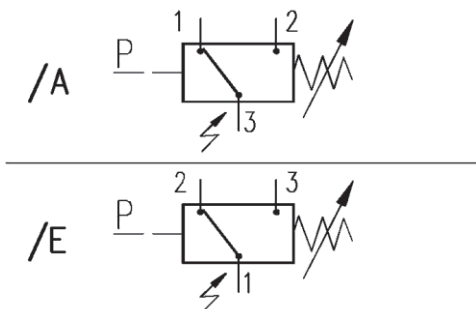
## Description

Piston operated, fixed differential, electro-hydraulic pressure switch equipped with electric contact in exchange. When pre-set pressure is achieved, the piston actuates a microswitch. The setting adjustment is achieved by means of a grub screw (R).

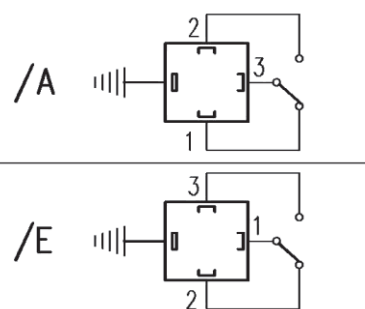
## Dimensions



## Symbol



## Contacts



## Flange interface

