

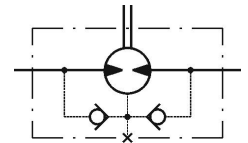
MP125CD

PRODUCT FEATURE SUMMARY

DATE: 06.12.2025
MODEL TYPE: MP125CD

Username: Petar Petrov

CNSORDERNO (Order number)	MP125CD
MF (Mounting Flange)	omit: Oval mount,two holes
ONB (Option (needle bearings))	omit: none
PT (Port type)	omit: Side ports
DC (Displacement code)	125: 123,8 cm ³ /rev [7.55 in ³ /rev]
SE (Shaft Extensions)	C: Ø25 straight, Parallel key A8x7x32 DIN6885
SSV (Shaft Seal Version)	D: Standard shaft seal
DP (Drain Port)	omit: with drain port
P (Ports)	omit: BSPP (ISO 228)
SFMS (Special Features Measure speed)	omit: no special features
SFGWS (Special Features of gear wheel set)	omit: no special features
SFDR (Special Features - Direction of rotation)	omit: Standard
OP (Option (Paint))	omit: no paint
INFO (Info)	PDF catalog
L (Total lengthmm)	145.12
L1 (Length of gear wheel setmm)	16.67
DIM (Dimension unit)	mm



DATA SHEET

Type	
Displacement, cm³/rev [in³/rev]	123,8 [7.55]
Max. Speed, [RPM]	cont. 486
	Int.* 605
Max. Torque, daNm [lb-in]	cont. 23,7 [2100]
	Int.* 29,8 [2640]
Max. Output, kW [HP]	cont. 10,2 [13.7]
	Int.* 12 [16.1]
Max. Pressure Drop, bar [PSI]	cont. 140 [2030]
	Int.* 175 [2540]
Max. Oil Flow, lpm [GPM]	cont. 60 [15.9]
	Int.* 75 [19.8]

Type	
Max. Inlet Pressure, bar [PSI]	cont. 175 [2540]
	Int.* 200 [2900]
	peak** 225 [3260]
Max. Return Pressure with Drain Line bar [PSI]	cont. 175 [2540]
	Int.* 200 [2900]
	peak** 225 [3260]
Pressure with Unloaded Shaft, bar [PSI]	
9 [131]	
Min Starting Torque, daNm [lb-in]	at max. press. drop cont. 20,7 [1830]
	at max. press. drop Int.* 26,6 [2360]
Min. Speed***, [RPM]	10
Weight, kg [lb]	6,2 [13.7]

* Intermittent operation: the permissible values may occur for max. 10% of every minute.

** Peak load: the permissible values may occur for max. 1% of every minute.

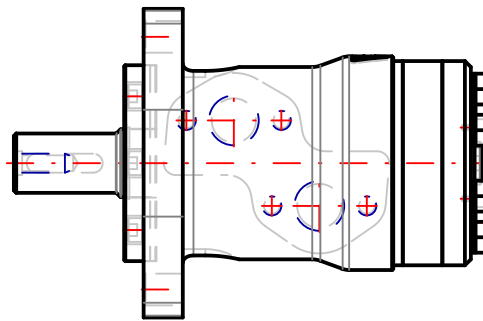
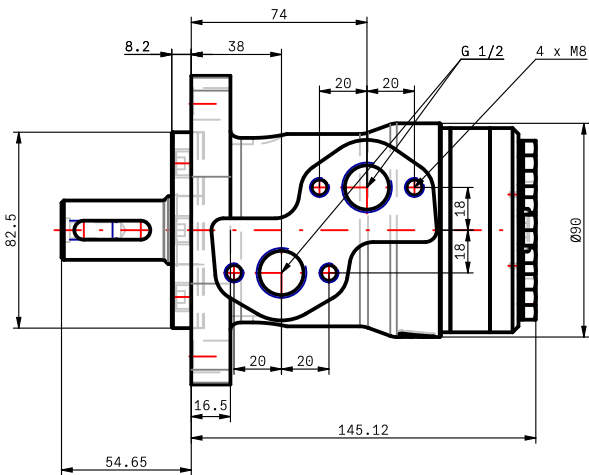
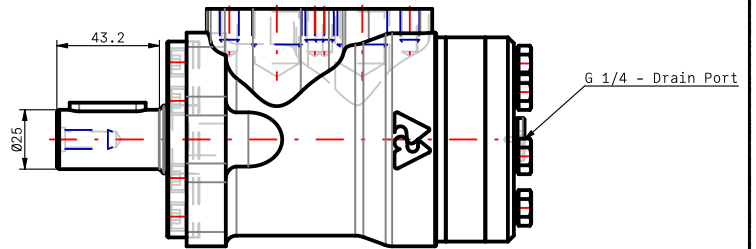
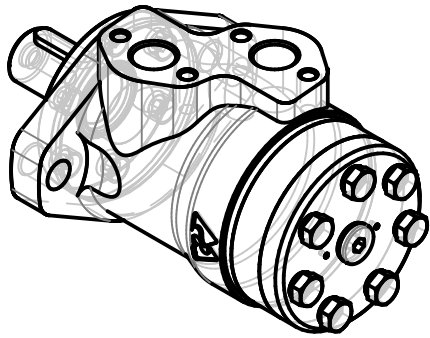
*** For speeds lower than given, consult factory or your regional manager.

- Intermittent speed and intermittent pressure drop must not occur simultaneously.
- Recommended filtration is per ISO cleanliness code 20/16. A nominal filtration of 25 micron or better.
- Recommend using a premium quality, anti-wear type mineral based hydraulic oil HLP(DIN51524) or HM (ISO 6743/4). If using synthetic fluids consult the factory for alternative seal materials.
- Recommended minimum oil viscosity 13 mm²/s [70 SUS] at 50°C [122°F].
- Recommended maximum system operating temperature is 82°C [180°F].
- To assure optimum motor life fill with fluid prior to loading and run at moderate load and speed for 10-15 minutes.

MP125CD

3d generated view

To see model in 3D you should use Acrobat Reader with enable 3D view



NOTE: Showed dimensions are in nominal, for maximal values see table.

NOTE: For additional dimensions and information about flange , shaft , endcover , etc. see next page.

L max	LS max
145.12	

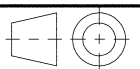
Confidential property of M+S Hydraulic, Bulgaria. Please note that this drawing is automatically generated based on the selection. In case of possible changes or revisions in the drawing specifications, the selection process should be repeat. M+S is not responsible for any possible errors on the drawings.



MP125CD

Design: M+S Check:

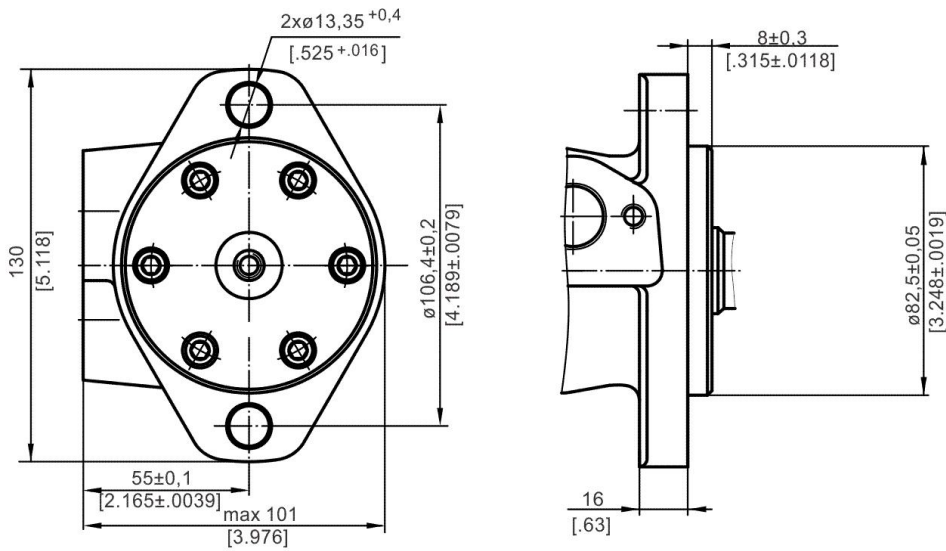
Scale	Sheet	Rev.	Weight
Date 06.12.2025			6.2 [13.7]



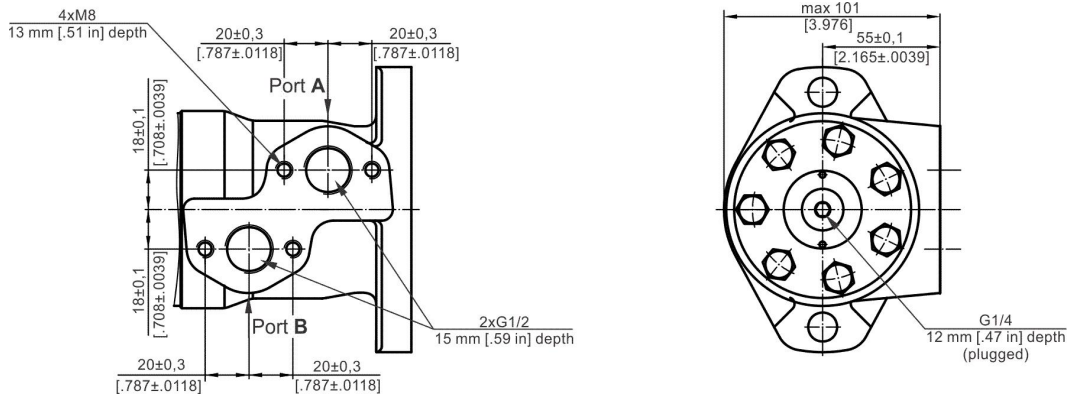
Standard Rotation
Viewed from Shaft End

Port A Pressurized - CW
Port B Pressurized - CCW

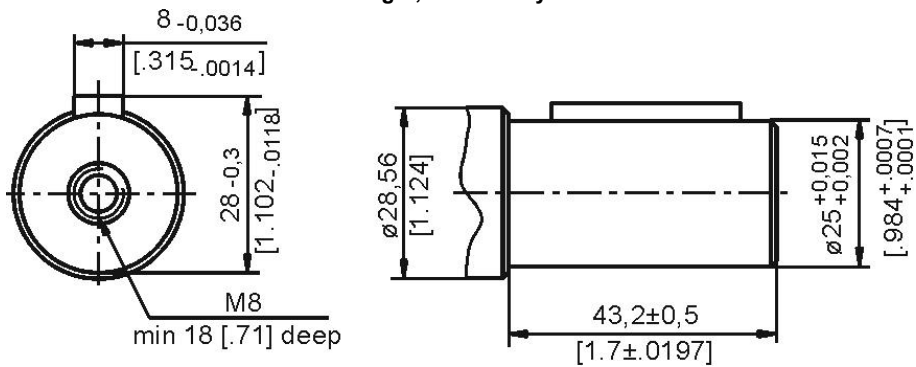
omit: Oval mount, two holes



omit: Side ports



C: o25 straight, Parallel key A8x7x32 DIN6885

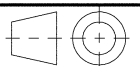


Confidential property of M+S Hydraulic, Bulgaria.
Please note that this drawing is automatically generated based on the selection. In case of possible changes or revisions in the drawing specifications, the selection process should be repeat. M+S is not responsible for any possible errors on the drawings.

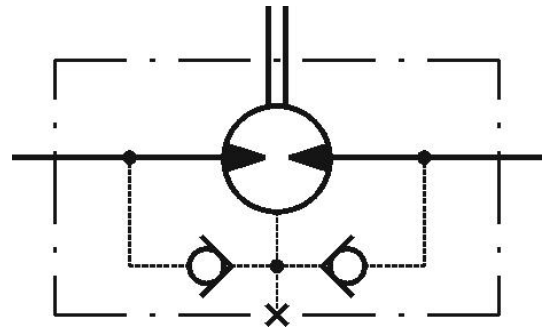


MP125CD

Scale	Sheet	Rev.	Weight
Date 06.12.2025			6.2 [13.7]

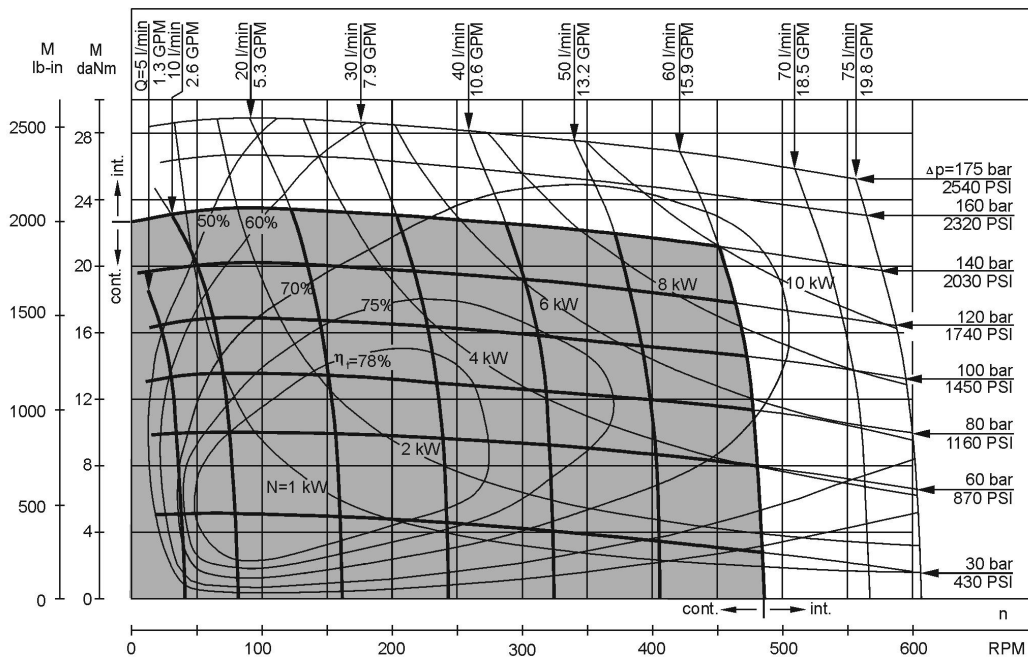


MP125CD



The shaft seal pressure equals the pressure in the drain line

FUNCTION DIAGRAMS



The function diagrams data is for average performance of randomly selected motors at back pressure 5±10 bar [72.5±145 PSI] and oil with viscosity of 32 mm²/s [150 SUS] at 50°C [122°F].

MP125CD

DATA SHEET

Pressure Losses

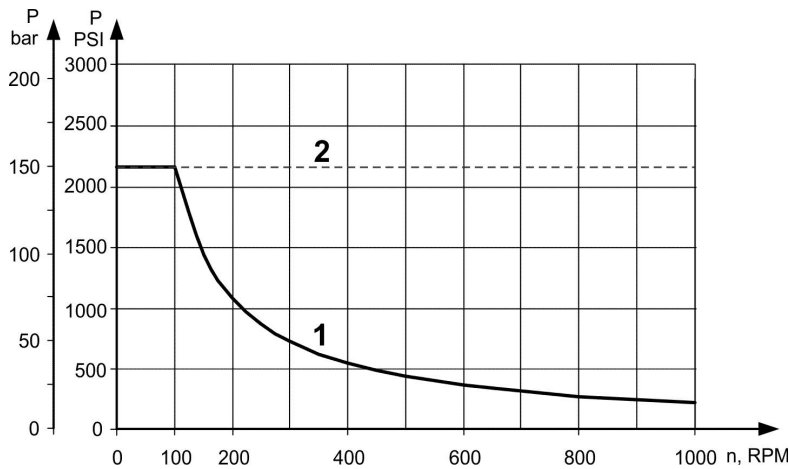


Oil flow in drain line

Pressure drop bar [PSI]	Viscosity mm ² /s [SUS]	Oil flow in drain line lpm [GPM]
100 [1450]	20 [98]	2,5 [.660]
	35 [164]	1,8 [.476]
140 [2030]	20 [98]	3,5 [.925]
	35 [164]	2,8 [.740]

MAX: PERMISSIBLE SHAFT SEAL PRESSURE

Max. return pressure without drain line or max. pressure in the drain line



Curve "1" shows continuous operations.
Curve "2" shows intermittent operations.

PERMISSIBLE SHAFT LOADS

