

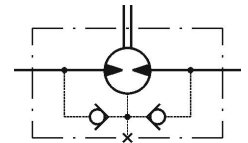
MR160CB

PRODUCT FEATURE SUMMARY

DATE: 13.12.2025
MODEL TYPE: MR160CB

Username: Petar Petrov

CNSORDERNO (Order number)	MR160CB
MF (Mounting Flange)	omit: Oval mount,two holes
ONB (Option (needle bearings))	omit: none
PT (Port type)	omit: Side ports
DC (Displacement code)	160: 159,6 cm ³ /rev [9.74 in ³ /rev]
SE (Shaft Extensions)	CB: Ø32 straight, Parallel key A10x8x45 DIN6885
SSV (Shaft Seal Version)	omit: Low pressure shaft seal or Standard shaft seal for "B" shaft
DP (Drain Port)	omit: with drain port
P (Ports)	omit: BSPP (ISO 228)
SFMS (Special Features Measure speed)	omit: no special features
SFGWS (Special Features of gear wheel set)	omit: no special features
SFDR (Special Features - Direction of rotation)	omit: Standard
OP (Option (Paint))	omit: no paint
INFO (Info)	PDF Catalog
L (Total lengthmm)	155.6
L1 (Length of gear wheel setmm)	27.800
DIM (Dimension unit)	mm



DATA SHEET

Type		
Displacement, cm³/rev [in³/rev]		159,6 [9.74]
Max. Speed, [RPM]	cont.	375
	Int.*	470
Max. Torque, daNm [lb-in]	cont.	39 [3450]
	Int.*	43 [3805]
Max. Output, kW [HP]	cont.	11,5 [15.4]
	Int.*	14 [18.8]
Max. Pressure Drop, bar [PSI]	cont.	175 [2540]
	Int.*	200 [2900]
Max. Oil Flow, [RPM]	cont.	60 [15.9]
	Int.*	75 [19.8]
Max. Inlet Pressure, bar [PSI]	cont.	175 [2540]
	Int.*	200 [2900]
	peak**	225 [3260]
Max. Return Pressure with Drain Line bar [PSI]	cont.	175 [2540]
	Int.*	200 [2900]
	peak**	225 [3260]
Pressure with Unloaded Shaft, bar [PSI]		7 [102]
Min Starting Torque, daNm [lb-in]	at max. press. drop cont.	32 [2832]
	at max. press. drop Int.*	37 [3275]
Min. Speed***, [RPM]		10
Weight, kg [lb]		7,5 [15.2]

* Intermittent operation: the permissible values may occur for max. 10% of every minute.

** Peak load: the permissible values may occur for max. 1% of every minute.

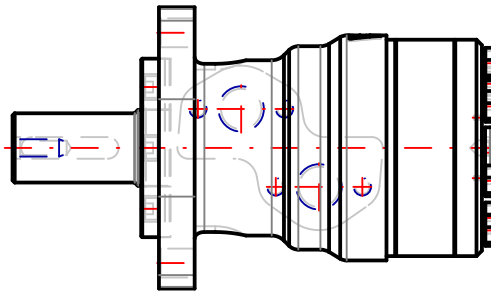
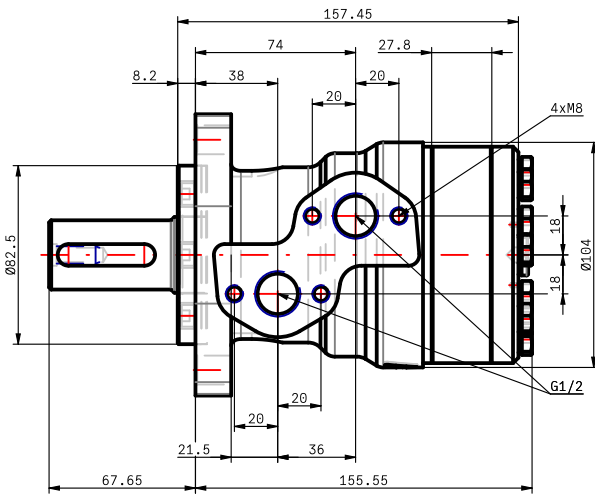
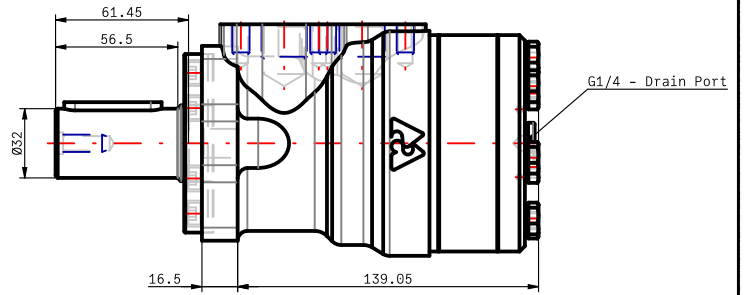
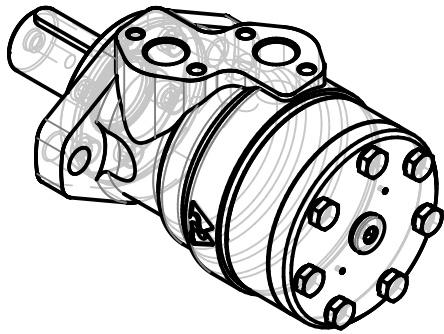
*** For speeds lower than given, consult factory or your regional manager.

- Intermittent speed and intermittent pressure drop must not occur simultaneously.
- Recommended filtration is per ISO cleanliness code 20/16. A nominal filtration of 25 micron or better.
- Recommend using a premium quality, anti-wear type mineral based hydraulic oil HLP(DIN51524) or HM (ISO 6743/4). If using synthetic fluids consult the factory for alternative seal materials.
- Recommended minimum oil viscosity 13 mm²/s [70 SUS] at 50°C [122°F].
- Recommended maximum system operating temperature is 82°C [180°F].
- To assure optimum motor life fill with fluid prior to loading and run at moderate load and speed for 10-15 minutes.

MR160CB

3d generated view

To see model in 3D you should use Acrobat Reader with enable 3D view



NOTE: Shown dimensions are in nominal, for maximal values see table.
 NOTE: For additional dimensions and information about flange , shaft , endcover , etc. see next page.

L max	LS max
155.6	

Confidential property of M+S Hydraulic, Bulgaria.
 Please note that this drawing is automatically generated based on the selection. In case of possible changes or revisions in the drawing specifications, the selection process should be repeat. M+S is not responsible for any possible errors on the drawings.

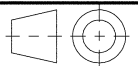


MR160CB

Design: M+S

Check:

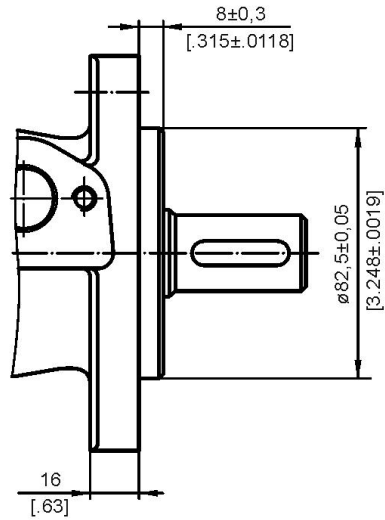
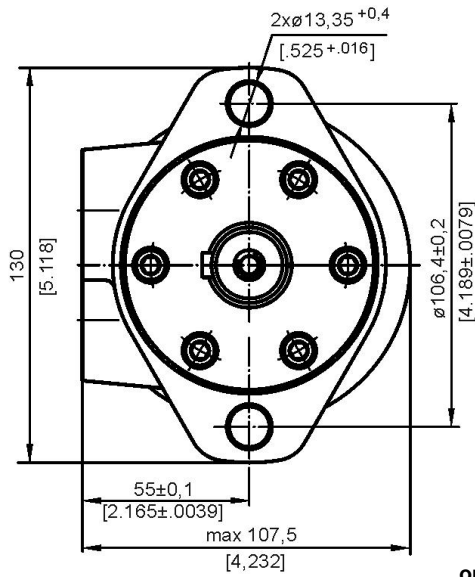
Scale	Sheet	Rev.	Weight
Date 13.12.2025			7,5 [15.2]



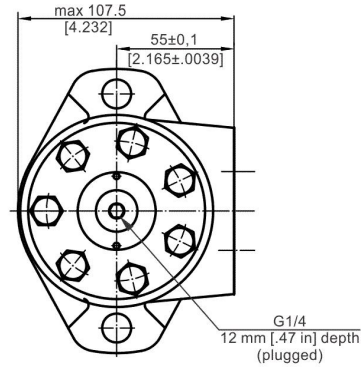
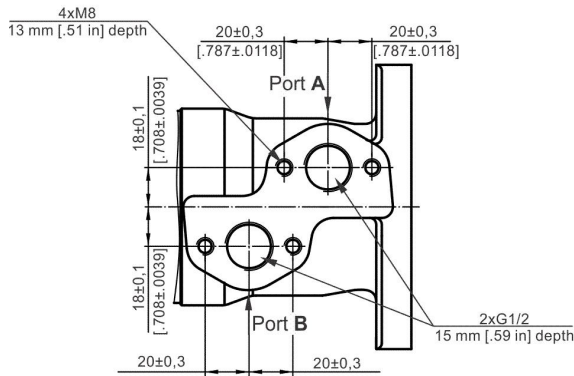
Standard Rotation
Viewed from Shaft End

Port A Pressurized - CW
Port B Pressurized - CCW

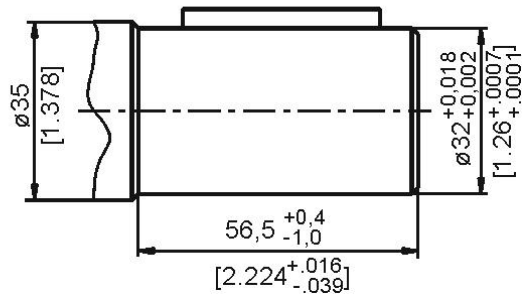
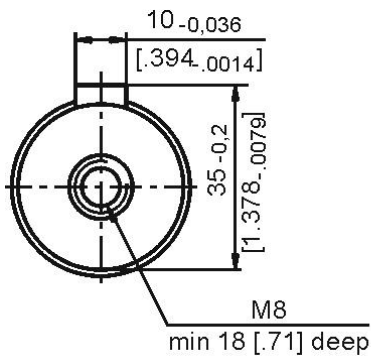
omit: Oval mount, two holes



omit: Side ports



CB: Ø32 straight, Parallel key A10x8x45 DIN6885

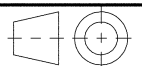


Confidential property of M+S Hydraulic, Bulgaria. Please note that this drawing is automatically generated based on the selection. In case of possible changes or revisions in the drawing specifications, the selection process should be repeated. M+S is not responsible for any possible errors on the drawings.

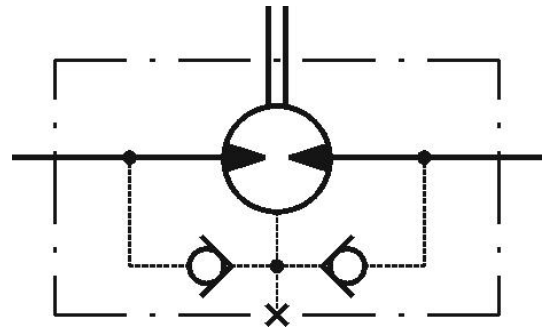


MR160CB

Scale	Sheet	Rev.	Weight
Date 13.12.2025			7,5 [15,2]

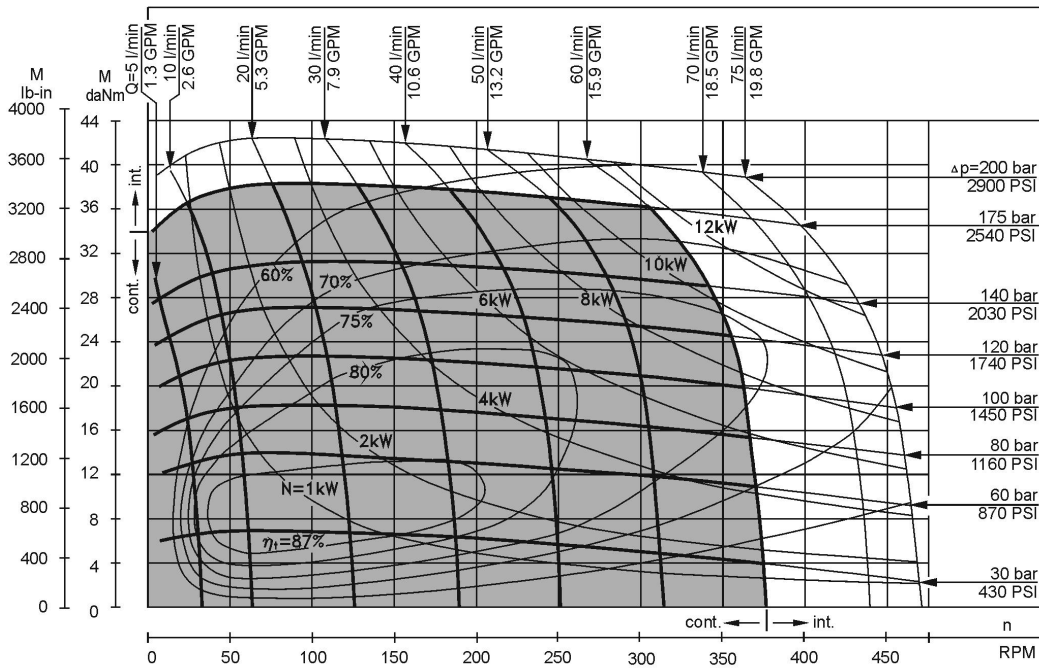


MR160CB



The shaft seal pressure equals the pressure in the drain line.

FUNCTION DIAGRAMS



The function diagrams data is for average performance of randomly selected motors at back pressure 5÷10 bar [72.5÷145 PSI] and oil with viscosity of 32 mm²/s [150 SUS] at 50°C [122°F].

MR160CB

DATA SHEET

Pressure Losses

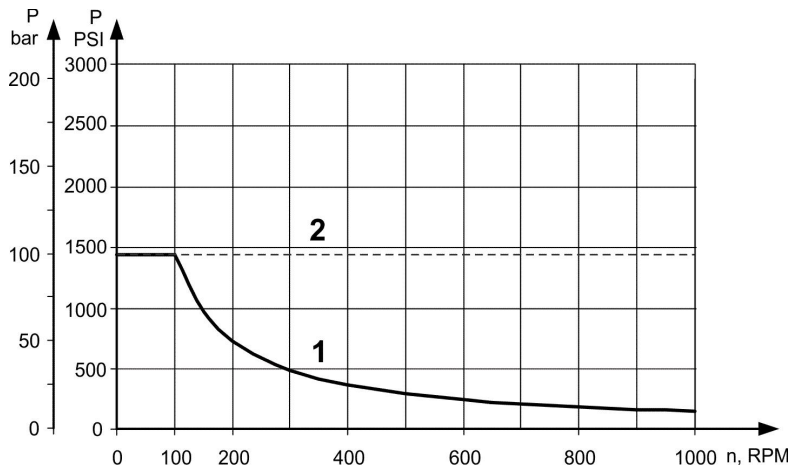


Oil flow in drain line

Pressure drop bar [PSI]	Viscosity mm ² /s [SUS]	Oil flow in drain line lpm [GPM]
100 [1450]	20 [98]	2,5 [.660]
	35 [164]	1,8 [.476]
140 [2030]	20 [98]	3,5 [.925]
	35 [164]	2,8 [.740]

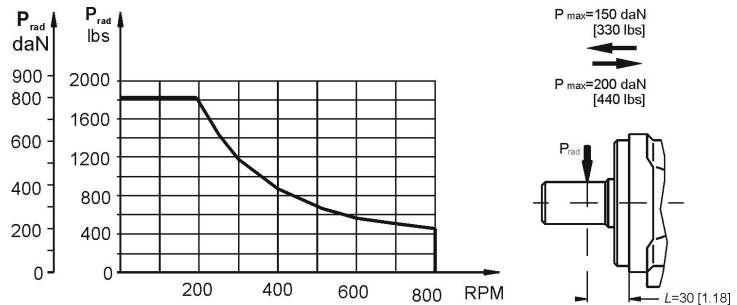
MAX: PERMISSIBLE SHAFT SEAL PRESSURE

Max. return pressure without drain line or max. pressure in the drain line



Black Curve shows continuous operations.
Dashed Curve shows intermittent operations.

PERMISSIBLE SHAFT LOADS



Radial Shaft Load Prad for C,CO Shaft Extensions by L=30mm[1.81in]

Standard Motor - The standard motor mounting flange is located as close to the output shaft as possible. This type of mounting support the motor close to the shaft load. This mounting flange is also compatible with many standard gear boxes.